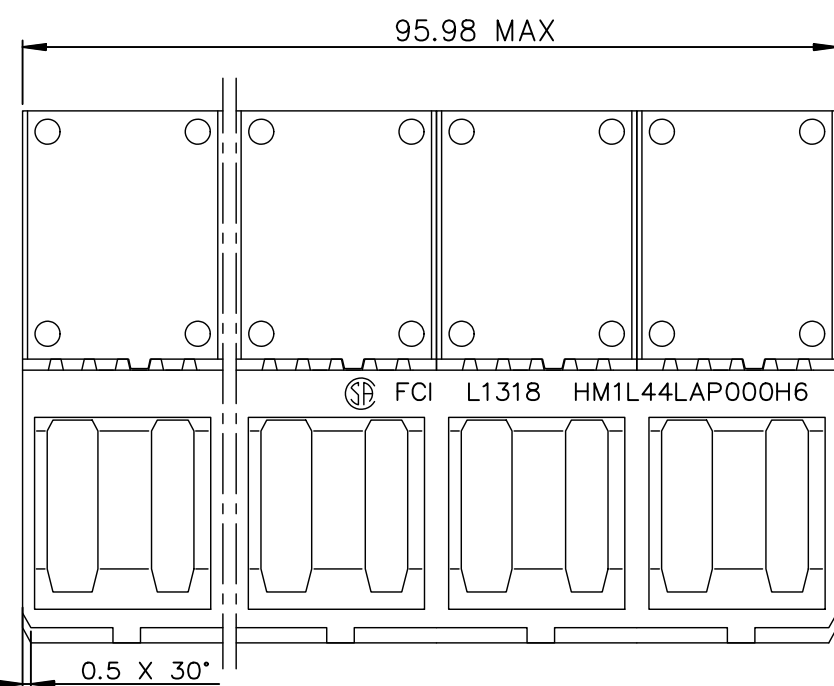
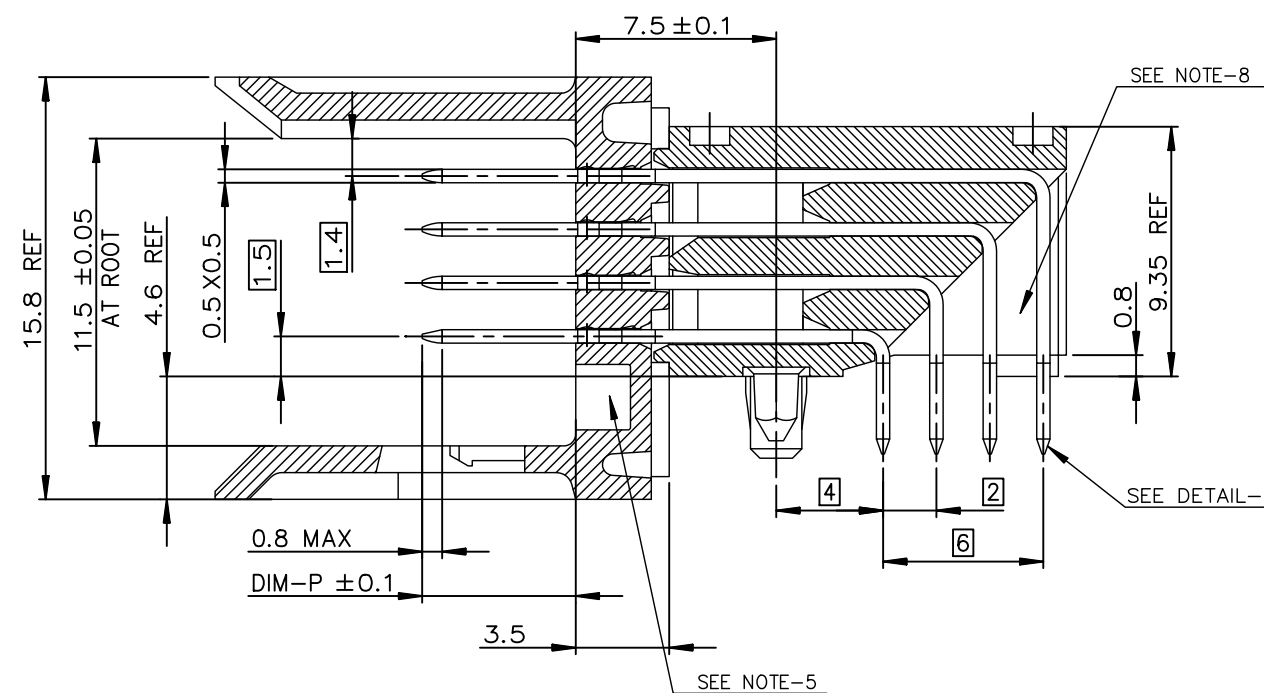
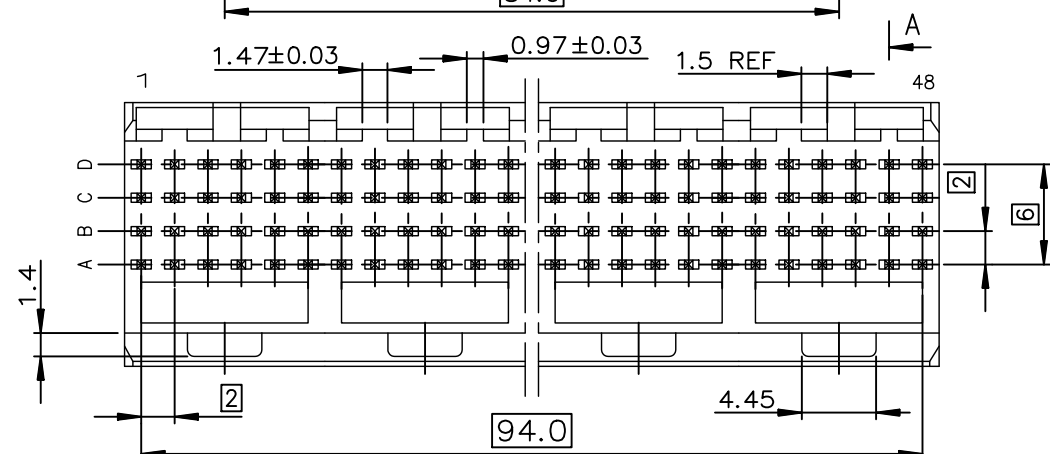


NOTES:

- MATERIAL : BODY : LCP UL94-V0  
: CONTACT : COPPER ALLOY.
- FOR PLATING PERFORMANCE REFER DRAWING # 10159409  $\Delta$
- NORMINATIVE REF = IEC-61076-4-104.
- ONE CENTER PEG FOR HOLD DOWN FORCE.
- CODING RECESS FOR 8MM EXTENDED KEYS.
- THIS PRODUCT MEETS EUROPEAN UNION DIRECTIVES AND OTHER COUNTRY REGULATIONS AS DESCRIBED IN GS-47- 0004
- THE HOUSING WILL WITHSTAND EXPOSURE TO 260° PEAK TEMPERATURE FOR 10 SECONDS IN A WAVE SOLDER APPLICATION
- CENTRAL WALL WITH END REAR SUPPORT.
- PACKAGING IN TRAY + COVER  
IF SUFFIX "P" IS ADDED IN P/N PACKAGING IS IN TRAYS BUT CONNECTOR MARKING IS WITHOUT "P"  
EXAMPLE: HM1xxxxxxxxxHYP , MARKED HM1xxxxxxxxxHY
- $\Delta$ SYMBOL WILL BE NEXT TO ANY DIMENSION, VIEW, OR NOTE WHICH HAS BEEN MODIFIED WITH THE CURRENT DRAWING REVISION.

8 MODULE SIZE

SECTION-A SCALE: 4/1



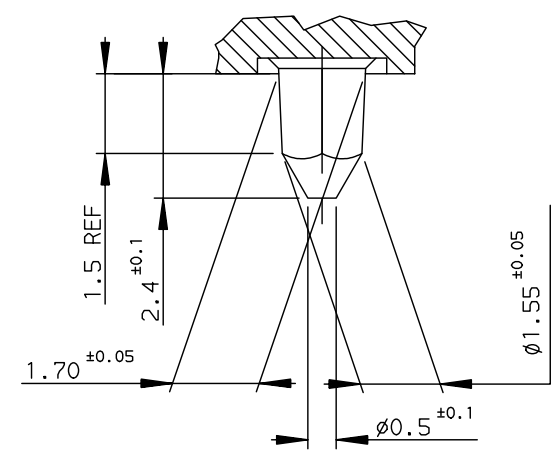
REFER NOTE-2

PART NUMBER :HM1L44XXP000HYLF

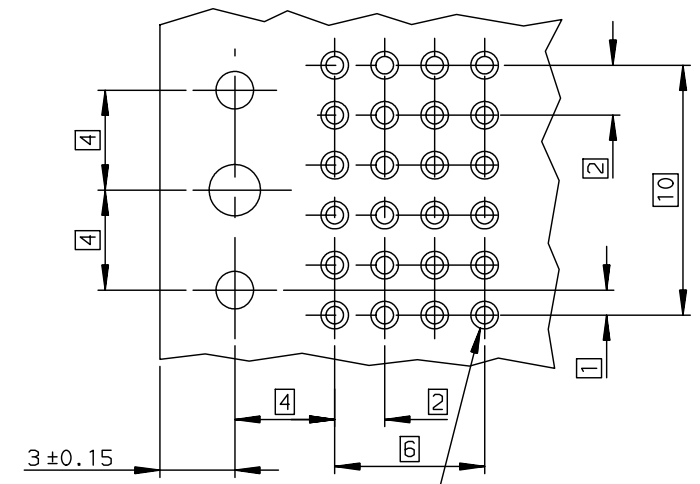
OTHERS INFORMATIONS,SEE DRW C-8626-0157-2

mat'l. code		NOTE 1	surface 58	tolerance	projection	product family
ISO 1302			ISO 406	ISO 1101		METRAL
tolerances unless otherwise specified						
ltr	ecn no	dr	date	angles	linear	title
H	LS06-0097	LGO	2006-07-21		0.X±0.3	METRAL RA HDR WB CONVERGE
J	LS07-0184	MLE	2007-07-24		0.XX±0.13	4x48 CTS - STB PUSH PEG
K	ELX-I-38656	MINI	2020-10-15	0°±2°	0.XXX±0.050	
dr		CHAMPION		1995-01-25		dwg no
enr		ARUN		2020-10-15		sheet 1 of 2
chr		ALEX BABU		2020-10-15		size
appd		SANJ		2020-10-15		A2
sheet index	revision sheet	K	K			type
1	2					Product Customer Drawing

DETAIL OF LOCATING PEGS (2x) SCALE 8/1



RECOMMENDED PCB LAYOUT PER 12MM LENGTH



Hole according to product spec  
 65-12-445 (for press-fit) ,  
 65-12-446 (for STB)

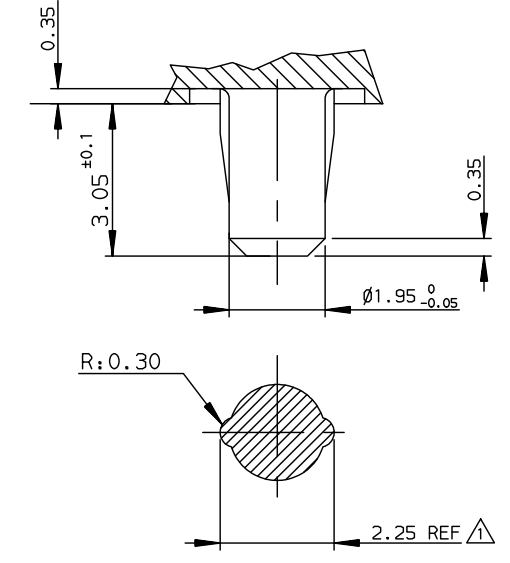
PART NUMBER / CONTACT LOADING					PART NUMBER AND PERFORMANCE LEVEL	SP N°	
DIM-P ±0.10				DIM-D ±0.3			
ROW-A	ROW-B	ROW-C	ROW-D	±0.3			
5.00	5.00	5.00	5.00	TABLE-2	HM1L44AxP000H	PLF	
5.75	5.75	5.75	5.75	TABLE-2	HM1L44LxP000H	PLF	
6.50	6.50	6.50	6.50	TABLE-2	HM1L44DxP000H	PLF	
6.50	5.00	5.00	5.00	TABLE-2	HM1L44BxP000H	PLF	
6.50	5.75	5.75	6.50	TABLE-2	HM1L44CxP000H	PLF	
5.00	5.00	6.50	5.00	TABLE-2	HM1L44ZxP110H	PLF	110
5.00	5.75	6.50	5.00	TABLE-2	HM1L44ZxP430H	PLF	430
5.00	5.75	5.00	5.00	TABLE-2	HM1L44ZxP448H	PLF	448
5.75	5.00	5.00	5.00	TABLE-2	HM1L44ZxP009H	PLF	009
5.75	6.50	5.75	5.00	TABLE-2	HM1L44ZxP424H	PLF	424
6.50	5.75	6.50	5.75	TABLE-2	HM1L44ZxP037H	PLF	037
6.50	5.75	5.00	5.75	TABLE-2	HM1L44ZxP102H	PLF	102
6.50	6.50	6.50	5.75	TABLE-2	HM1L44ZxP135H	PLF	135
6.50	5.75	5.75	5.75	TABLE-2	HM1L44ZxP369H	PLF	369

Y REFER DRAWING # 10159409

DIM-D=2.9 / replace 'x' by 'A' in the P/N  
 DIM-D=3.7 / replace 'x' by 'B' in the P/N

TABLE-2

DETAIL OF CENTRAL PEG SCALE 8/1



OTHERS INFORMATIONS, SEE DRW C-8626-0157-1  
 STANDARD MATING LENGTHS = 5.75 (AND 5.00-6.50)  
 STANDARD TERMINATION LENGTH = 2.90

mat'l. code		NOTE 1		surface 58	tolerance ISO 1302	projection	product family
ltr		ecn no	dr	date	tolerances unless otherwise specified	MM	METRAL
H	LS06-0097	LGO	2006-07-21		0.X±0.3		title
J	LS07-0184	MLE	2007-07-24		0.XX±0.13		METRAL RA HDR WB CONVERGE
K	ELX-I-38656	MINI	2020-10-15		0.XXX±0.050	scale 1:1	4x48 CTS - STB PUSH PEG
sheet index		revision sheet	K	K	dr	CHAMPION	1995-01-25
1		1	2		enr	ARUN	2020-10-15
					chr	ALEX BABU	2020-10-15
					appd	SANOJ	2020-10-15
							dwg no
							sheet 2 of 2
							size
							A2
							type
							Product Customer Drawing