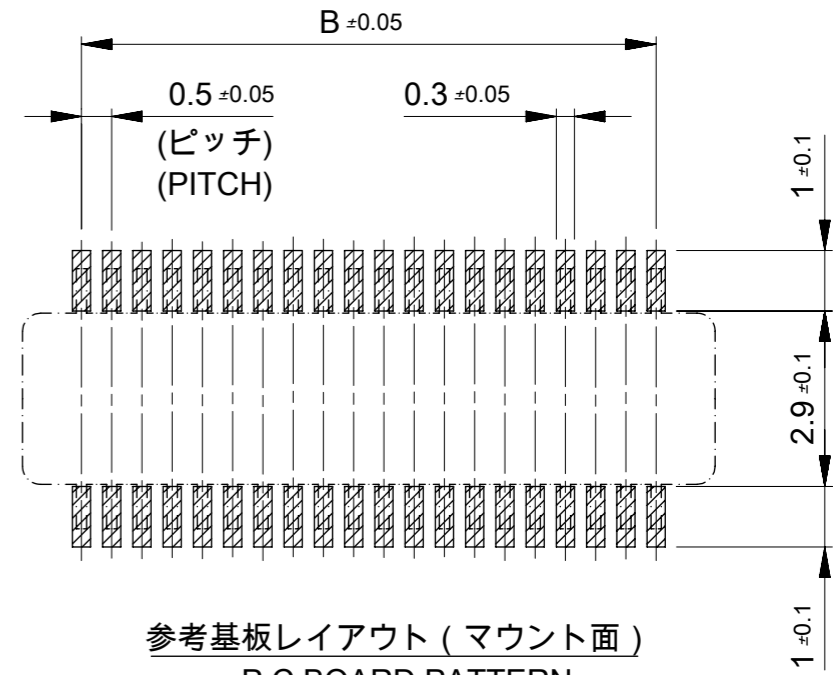
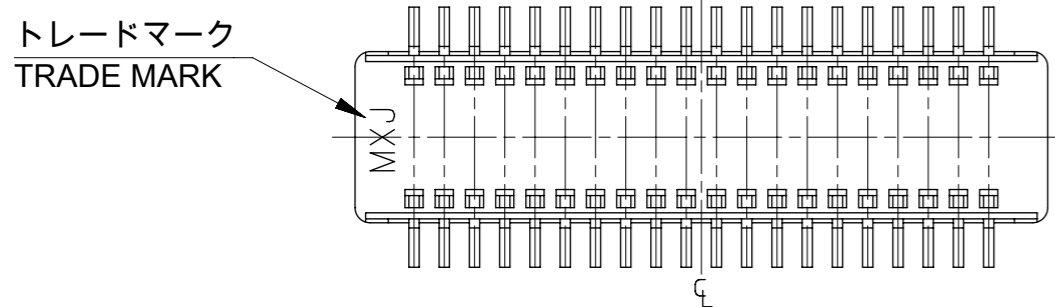
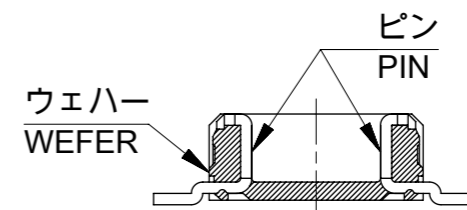
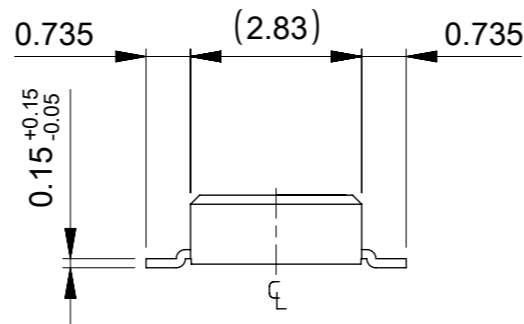


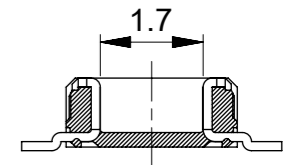
LOCK POSITION 1 2 3 N-2N-1N



参考基板レイアウト (マウント面)
P.C. BOARD PATTERN
DIMENSION. (REF.)
(MOUNTING AREA)



SECTION W-W (LOCK PART)

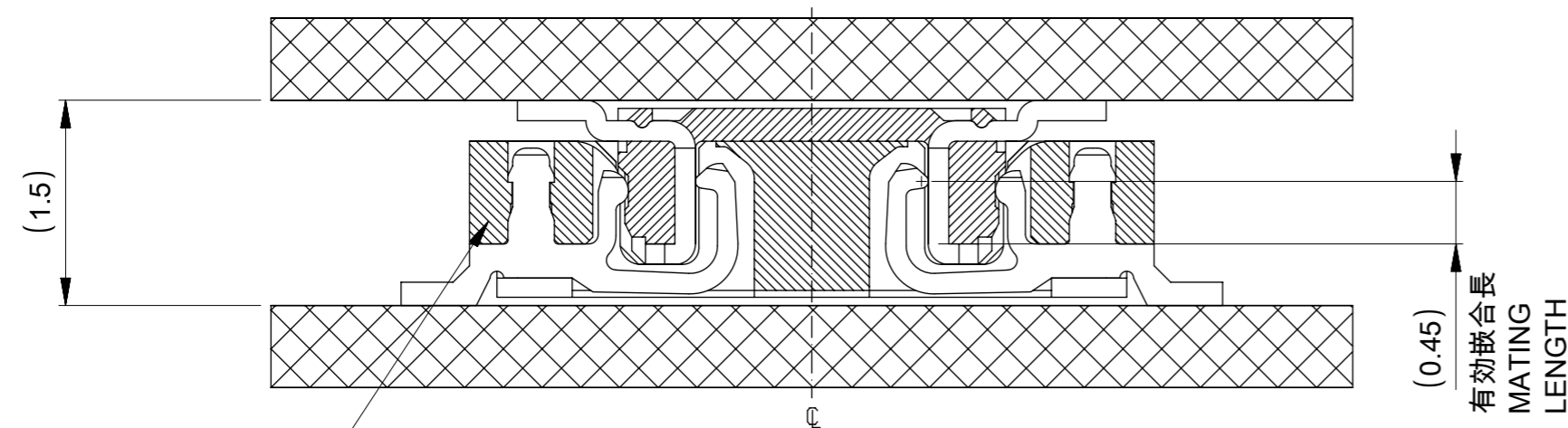


SECTION V-V (W/O LOCK PART)

NON	20.55	19.5	21.45	55560-0807	80
10,21	15.55	14.5	16.45	55560-0607	60
2,4,8,10,16,18,22,24	13.05	12.0	13.95	55560-0507	50
2,3,5,6,8,9,12,13,15,16,18,19	10.55	9.5	11.45	55560-0407	40
2,3,4,5,8,9,10,11,14,15,16,17	9.55	8.5	10.45	55560-0367	36
2,3,4,5,7,8,9,10,11,13,14,15,16	9.05	8.0	9.95	55560-0347	34
ALL	8.05	7.0	8.95	55560-0307	30
	6.55	5.5	7.45	55560-0247	24
	6.05	5.0	6.95	55560-0227	22
				55560-0228	
	5.55	4.5	6.45	55560-0207	20
4.55	3.5	5.45	55560-0168	16	
LOCK POSITION	C	B	A	Emboss tape Package ORDER No. オーダー番号	極数 CIRCUIT

CONNECTOR SERIES No. 55560-***1

GENERAL TOLERANCES (UNLESS SPECIFIED)		DIMENSION UNITS		SCALE		THIS DRAWING CONTAINS INFORMATION THAT IS PROPRIETARY TO MOLEX ELECTRONIC TECHNOLOGIES, LLC AND SHOULD NOT BE USED WITHOUT WRITTEN PERMISSION						
10 ^{UNDER}	±0.2	mm	8:1	CURRENT REV DESC: REVISED								molex
10 ^{OVER} 30 ^{UNDER}	±0.25	GENERAL TOLERANCES (UNLESS SPECIFIED)		EC NO: 642297		DRWN: RMV02		2020/07/21		8.05 MM PITCH B-TO-B CONN. HEIGHT = 1.5 PLUG		
30 ^{OVER}	±0.3	ANGULAR TOL ± °		DRWN: SAIHARA		CHK'D: HSHIMOYAMA		2020/11/30		PRODUCT CUSTOMER DRAWING		
DRAFT WHERE APPLICABLE MUST REMAIN WITHIN DIMENSIONS		DRAFT WHERE APPLICABLE MUST REMAIN WITHIN DIMENSIONS		INITIAL REVISION:		APPR: SHOSHIKAWA		2020/11/30		DOCUMENT NUMBER		
				DRWN: SAIHARA		APPR: MSASAO		2003/03/31		SD-55560-006		
				THIRD ANGLE PROJECTION		DRAWING		SERIES		MATERIAL NUMBER		
				A3-SIZE		55560		SEE TABLE		CUSTOMER		
								GENERAL		SHEET NUMBER		
										1 OF 2		



嵌合相手 MATE WITH
54722-***4

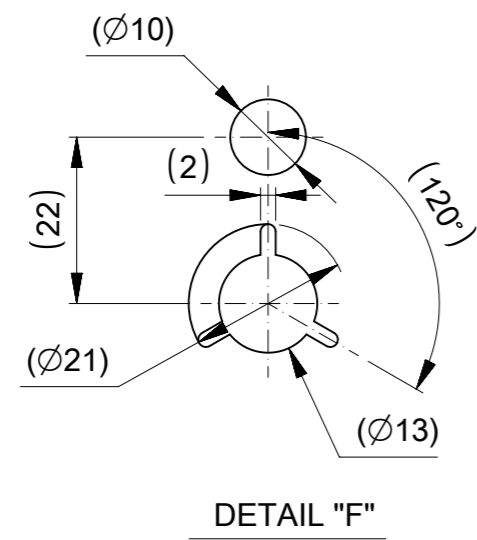
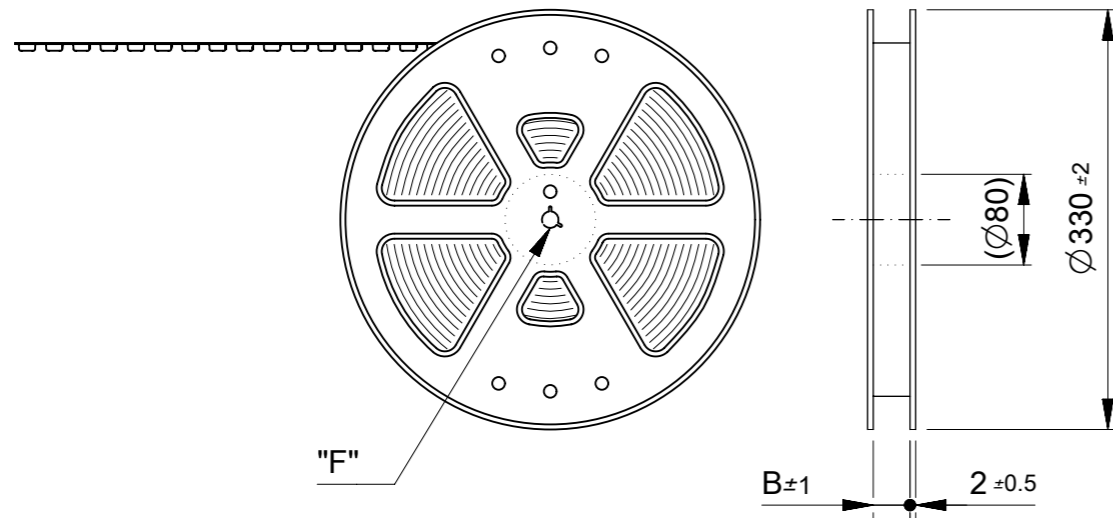
嵌合断面図 (参考)
MATED DRAWING (REF.)

注記 NOTES:

1. 使用材料 MATERIAL
 ウェハー : 液晶ポリマーガラス充填, UL94V-0 (黒)
 WAFER : LIQUID CRYSTRAL POLYMER
 (GLASS FILLED),UL94V-0 (COLOR:BLACK)
 ピン : 黄銅 (t=0.15)
 PIN : BRASS(t=0.15)
2. メッキ仕様 PLATING
 金メッキ 0.25 MICROMETER MINIMUM (コンタクト部)
 GOLD 0.25 MICROMETER MINIMUM (CONTACT AREA).
 金メッキ 0.4 MICROMETER MAXIMUM (テール部)
 GOLD 0.4 MICROMETER MAXIMUM (TAIL AREA).
 下地メッキ: ニッケルメッキ 1.5 MICROMETER MINIMUM
 UNDER PLATING : NICKEL 1.5 MICROMETER MINIMUM.
3. (全極数 / 2) = 偶数の場合に適用.
 APPLY FOR (CIRCUIT/2) = EVEN.
4. 嵌合相手 : 54722 シリーズ (嵌合高さ = 1.5mm)
 MATE WITH: 54722 SERIES.(HEIGHT=1.5mm)
5. テール平坦度は、0.1 MAXIMUM
 TAIL COPLANARITY TO BE 0.1 MAXIMUM.

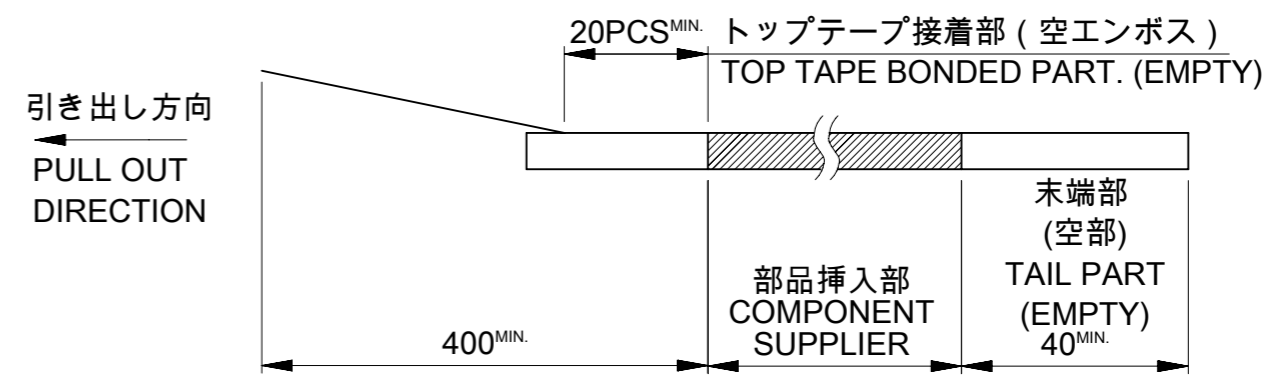
THIS DRAWING CONTAINS INFORMATION THAT IS PROPRIETARY TO MOLEX ELECTRONIC TECHNOLOGIES, LLC AND SHOULD NOT BE USED WITHOUT WRITTEN PERMISSION		CURRENT REV DESC: REVISED		molex	
DIMENSION UNITS	SCALE	EC NO: 642297			
mm	20:1	DRWN: RMV02 2020/07/21		PRODUCT CUSTOMER DRAWING	
GENERAL TOLERANCES (UNLESS SPECIFIED)		CHK'D: HSHIMOYAMA 2020/11/30		DOCUMENT NUMBER	
ANGULAR TOL ± °		APPR: SHOSHIKAWA 2020/11/30		SD-55560-006	
4 PLACES ±		INITIAL REVISION:		DOC TYPE DOC PART REVISION	
3 PLACES ±		DRWN: SAIHARA 2003/03/31		PSD 001 M	
2 PLACES ±		APPR: MSASAO 2003/03/31		MATERIAL NUMBER	
1 PLACE ±		THIRD ANGLE PROJECTION		CUSTOMER	
0 PLACES ±		DRAWING		SHEET NUMBER	
DRAFT WHERE APPLICABLE MUST REMAIN WITHIN DIMENSIONS		A3-SIZE		2 OF 2	

引き出し方向
PULL OUT
DIRECTION

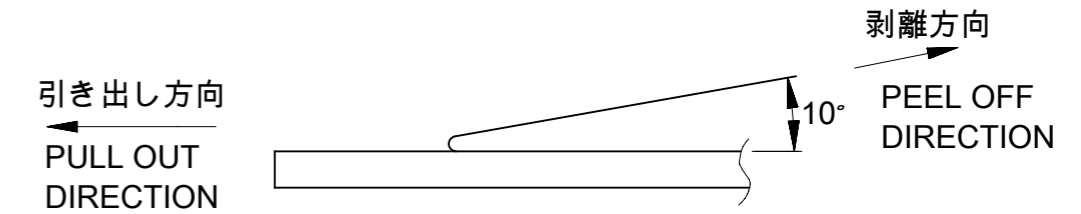


NOTE

- 製品詳細寸法については図面 SD-55560-006 を参照下さい。
DETAIL DIMENSIONS, SEE SD-55560-006
- 梱包数量 : 2000個 / リール
NUMBER OF CONNECTORS : 2000PCS/REEL
- リードテープ長さ LEAD TAPE LENGTH

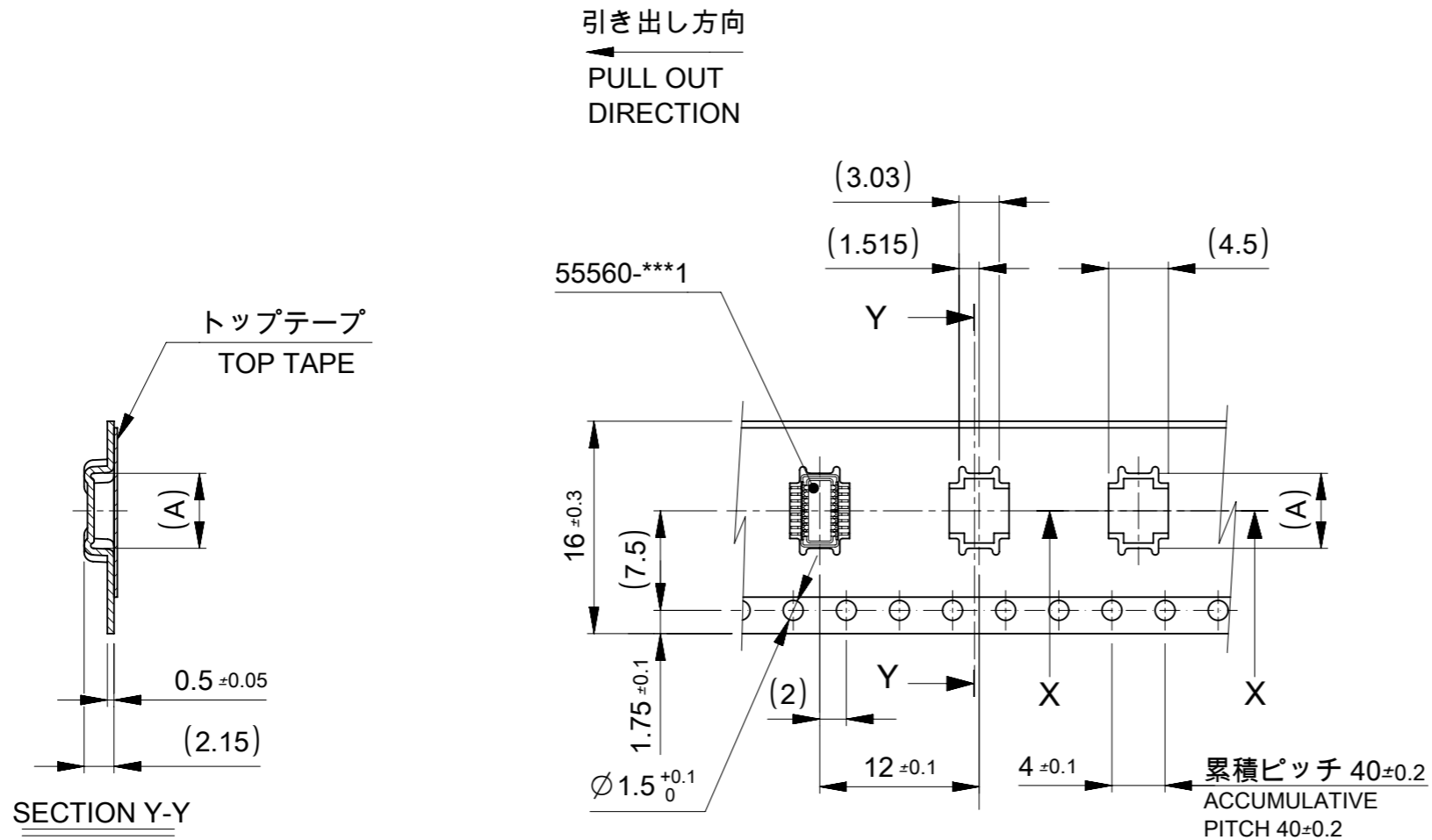


- トップテープの剥離強度 : 0.1N~0.7N(10.2gf~71.4gf)
(剥離方向は下図参照)
尚、本規格値は出荷時に適用。(但し、輸送時に剥離が発生しないこと.)
PEELING OFF FORCE OF TOP TAPE : 0.1N~0.7N(10.2gf~71.4gf)
(PEELING DIRECTION AS SHOWN IN FOLLOWING FIG.)
THIS REQUIREMENT SHOULD BE APPLIED AT SHIPMENT.
PEEL OFF SHOULD NOT BE ALLOWED, DURING TRANSPORTATION.



- 材料 キャリアテープ : ポリプロピレン (PP)
トップテープ : PET,PE,PEF
リール : ポリスチレン (PS) <リサイクル材を含む>
MATERIAL CARRIER TAPE : POLYPROPYLENE
TOP TAPE : PET,PE,PEF
REEL : POLYSTYRENE(PS)
< RECYCLE MATERIAL CONTAINED >

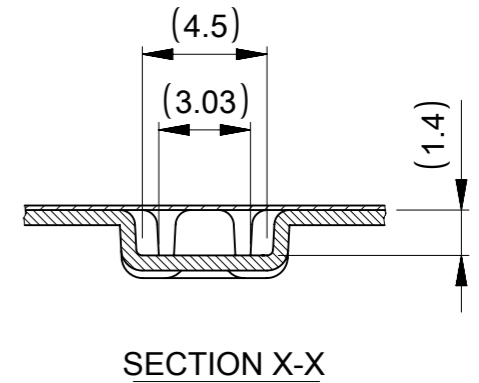
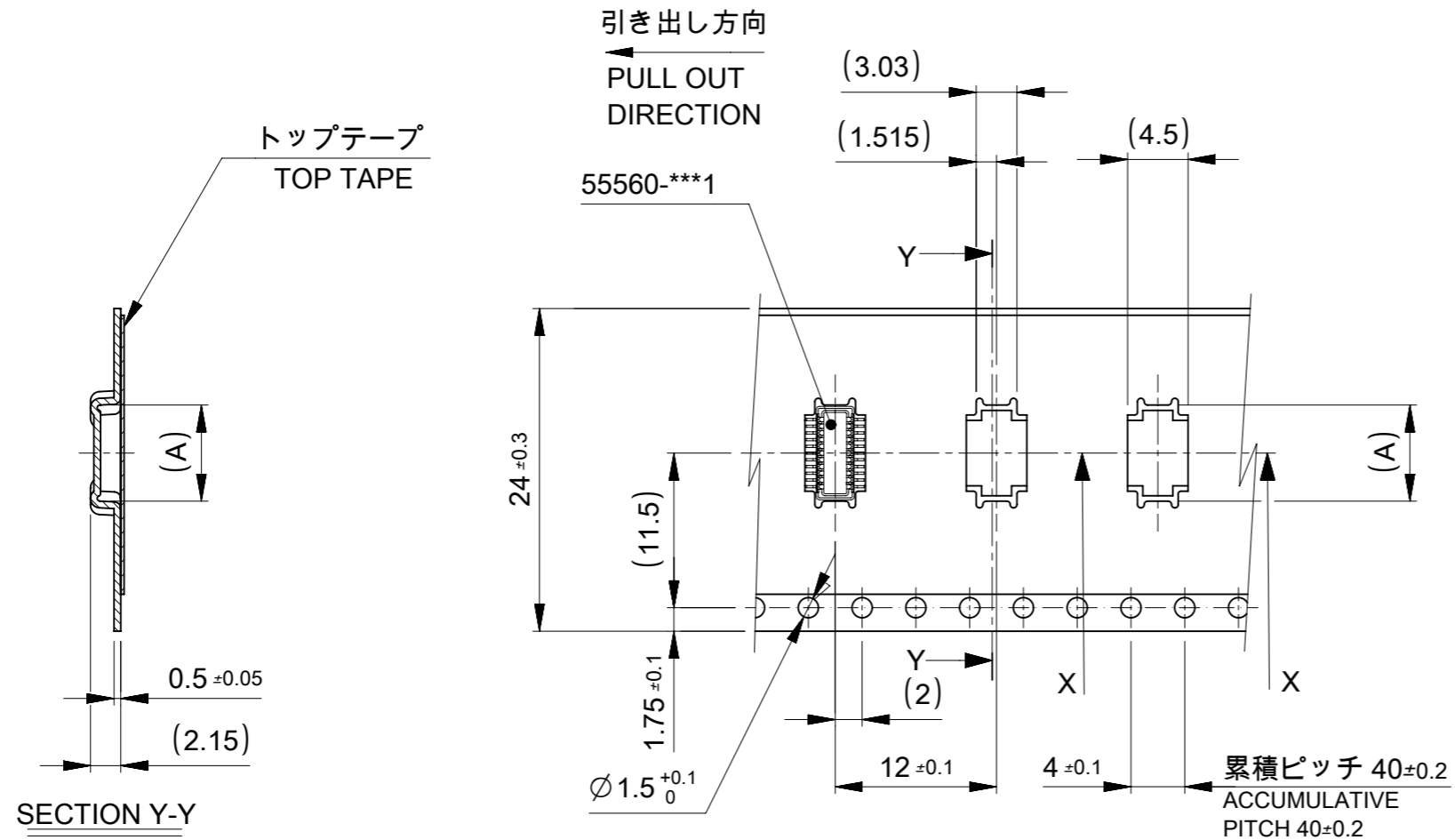
THIS DRAWING CONTAINS INFORMATION THAT IS PROPRIETARY TO MOLEX ELECTRONIC TECHNOLOGIES, LLC AND SHOULD NOT BE USED WITHOUT WRITTEN PERMISSION		CURRENT REV DESC: REVISED		molex	
DIMENSION UNITS	SCALE				
mm	NTS				
GENERAL TOLERANCES (UNLESS SPECIFIED)		GENERAL TOLERANCES (UNLESS SPECIFIED)		EC NO: 642297	
ANGULAR TOL ± °		ANGULAR TOL ± °		DRWN: SCV 2020/07/24	
4 PLACES ±		4 PLACES ±		CHK'D: HSHIMUYAMA 2020/11/30	
10^{UNDER} ±0.2		3 PLACES ±		APPR: SHOSHIKAWA 2020/11/30	
10^{OVER}30^{UNDER} ±0.25		2 PLACES ±		INITIAL REVISION:	
30^{OVER} ±0.3		1 PLACE ±		DRWN: S.AIHARA 2000/11/28	
ANGULAR+3°		0 PLACES ±		APPR: M.FUKUSHIMA 2001/01/30	
DRAFT WHERE APPLICABLE MUST REMAIN WITHIN DIMENSIONS		DRAFT WHERE APPLICABLE MUST REMAIN WITHIN DIMENSIONS		THIRD ANGLE PROJECTION	
				DRAWING A3-SIZE	
				SERIES 55560	
				MATERIAL NUMBER SEE SHEET 2-3	
				CUSTOMER GENERAL	
				SHEET NUMBER 1 OF 3	



16 mm幅キャリアテープ
16mm WIDTH CARRIER TAPE

16	17.5	5.65	55560-0168	16
キャリアテープ幅 CARRIER TAPE WIDTH	B	(A)	MATERIAL NO.	極数 CIRCUIT

THIS DRAWING CONTAINS INFORMATION THAT IS PROPRIETARY TO MOLEX ELECTRONIC TECHNOLOGIES, LLC AND SHOULD NOT BE USED WITHOUT WRITTEN PERMISSION		CURRENT REV DESC: REVISED		molex	
DIMENSION UNITS mm	SCALE NTS				
GENERAL TOLERANCES (UNLESS SPECIFIED)		EC NO: 642297		0.5 MM PITCH B-TO-B CONN. HEIGHT = 1.5 PLUG EMBOSS TAPE PACKAGE	
ANGULAR TOL ± °		DRWN: SCV		PRODUCT CUSTOMER DRAWING	
4 PLACES ±		2020/07/24		DOCUMENT NUMBER	
3 PLACES ±		2020/11/30		SD-55560-008	
2 PLACES ±		2020/11/30		DOC TYPE	
1 PLACE ±		INITIAL REVISION:		PSD	
0 PLACES ±		DRWN: S.AIHARA		DOC PART	
DRAFT WHERE APPLICABLE MUST REMAIN WITHIN DIMENSIONS		APPR: M.FUKUSHIMA		001	
		2000/11/28		REVISION	
		2001/01/30		B	
		THIRD ANGLE PROJECTION		SHEET NUMBER	
		DRAWING		2 OF 3	
		A3-SIZE			
		SERIES			
		55560			
		MATERIAL NUMBER			
		SEE TABLE			
		CUSTOMER			
		GENERAL			



24 mm幅キャリアテープ
24mm WIDTH CARRIER TAPE

24	25.5	17.15	55560-0228	22
キャリアテープ幅 CARRIER TAPE WIDTH		B	(A)	極数 CIRCUIT

THIS DRAWING CONTAINS INFORMATION THAT IS PROPRIETARY TO MOLEX ELECTRONIC TECHNOLOGIES, LLC AND SHOULD NOT BE USED WITHOUT WRITTEN PERMISSION

mm NTS

GENERAL TOLERANCES (UNLESS SPECIFIED)

10 ^{UNDER}	±0.2
10 ^{OVER} 30 ^{UNDER}	±0.25
30 ^{OVER}	±0.3

ANGULAR TOL ± °

4 PLACES	±
3 PLACES	±
2 PLACES	±
1 PLACE	±
0 PLACES	±

EC NO: 642297
DRWN: SCV
CHK'D: HSHIMOYAMA
APPR: SHOSHIKAWA

INITIAL REVISION:
DRWN: S.AIHARA
APPR: M.FUKUSHIMA

2020/07/24
2020/11/30
2020/11/30

2000/11/28
2001/01/30

DOCUMENT NUMBER: SD-55560-008
DOC TYPE: PSD
DOC PART: 001
REVISION: B

THIRD ANGLE PROJECTION
DRAWING: A3-SIZE
SERIES: 55560
MATERIAL NUMBER: SEE TABLE
CUSTOMER: GENERAL
SHEET NUMBER: 3 OF 3