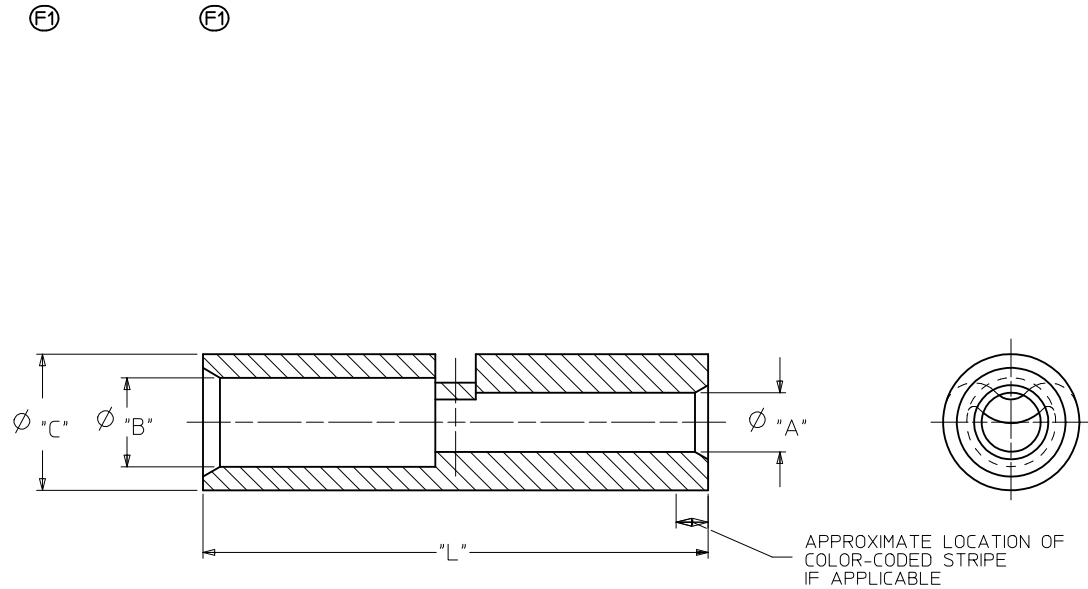


| MATERIAL NUMBER | ENG. NUMBER | CODE STRIPE COLOR | "A" | | "B" | | "C" MAX. | "L" MAX. | CMA RANGE | |
|-----------------|-------------|-------------------|-------|-----------|-------|-----------|-----------|-------------|---------------|-----------------|
| | | | AWG. | MIN. DIA. | AWG. | MIN. DIA. | | | LARGE I.D. TO | SMALL I.D. |
| I92150013 | BA-331 | RED | 22-18 | .071/1.80 | 16-14 | .088/2.24 | .160/4.06 | .675/17.15 | 2050-5180 | TO 509-2600 |
| I92150023 | CB-346 | BLUE | 16-14 | .097/2.46 | 12-10 | .137/3.48 | .223/5.66 | .827/21.0 | 5180-13,100 | TO 2050-5180 |
| I92150037 | DC-354 | YELLOW | 12-10 | .139/3.53 | #8 | .172/4.37 | .291/7.39 | .854/21.69 | 13,100-20,800 | TO 5180-13,100 |
| I92150042 | ED-362 | RED | #8 | .182/4.62 | #6 | .237/6.02 | .375/9.53 | 1.045/26.54 | 20,800-33,100 | TO 13,100-20800 |



SALES DRAWING

- NOTES:
- MATERIAL: COPPER
FINISH: ELECTRO-TIN
 - DELETED
 - PART IS ROHS COMPLIANT.

| CORRECTED DIMS EC NO: WNA2010-0735 DRW: HETHRODAHL 2010/05/26 CHKD: JMAGNEIL 2010/05/26 APPR: JMAGNEIL 2010/06/04 | QUALITY SYMBOLS | GENERAL TOLERANCES (UNLESS SPECIFIED) <table border="1"> <tr> <th></th> <th>mm</th> <th>INCH</th> </tr> <tr> <td>4 PLACES</td> <td>± .005</td> <td>± .0005</td> </tr> <tr> <td>3 PLACES</td> <td>± .004</td> <td>± .0004</td> </tr> <tr> <td>2 PLACES</td> <td>± .003</td> <td>± .0003</td> </tr> <tr> <td>1 PLACE</td> <td>± .002</td> <td>± .0002</td> </tr> <tr> <td colspan="3">ANGULAR ± .005°</td> </tr> </table> | | mm | INCH | 4 PLACES | ± .005 | ± .0005 | 3 PLACES | ± .004 | ± .0004 | 2 PLACES | ± .003 | ± .0003 | 1 PLACE | ± .002 | ± .0002 | ANGULAR ± .005° | | | DIMENSION STYLE | SCALE | DESIGN UNITS | THIRD ANGLE PROJECTION |
|--|------------------------|--|-----------------------|--|---------------------|----------|--------|---------|----------|--------|---------|----------|--------|---------|---------|--------|---------|-----------------|--|--|-----------------|-------|--------------|------------------------|
| | | | mm | INCH | | | | | | | | | | | | | | | | | | | | |
| | 4 PLACES | | ± .005 | ± .0005 | | | | | | | | | | | | | | | | | | | | |
| | 3 PLACES | | ± .004 | ± .0004 | | | | | | | | | | | | | | | | | | | | |
| 2 PLACES | ± .003 | ± .0003 | | | | | | | | | | | | | | | | | | | | | | |
| 1 PLACE | ± .002 | ± .0002 | | | | | | | | | | | | | | | | | | | | | | |
| ANGULAR ± .005° | | | | | | | | | | | | | | | | | | | | | | | | |
| | IN/MM | 5:1 | INCH | STEP DOWN BUTT CONNECTOR VERSAKRIMP | | | | | | | | | | | | | | | | | | | | |
| | DRAWN BY RMARSHALL | DATE 91/10/28 | CHECKED BY RDEROSS | DATE 91/10/28 | MOLEX INCORPORATED | | | | | | | | | | | | | | | | | | | |
| | APPROVED BY RDEROSS | DATE 91/10/28 | MATERIAL NO. | DOCUMENT NO. SD-19215-004 | SHEET NO. 1 OF 1 | | | | | | | | | | | | | | | | | | | |