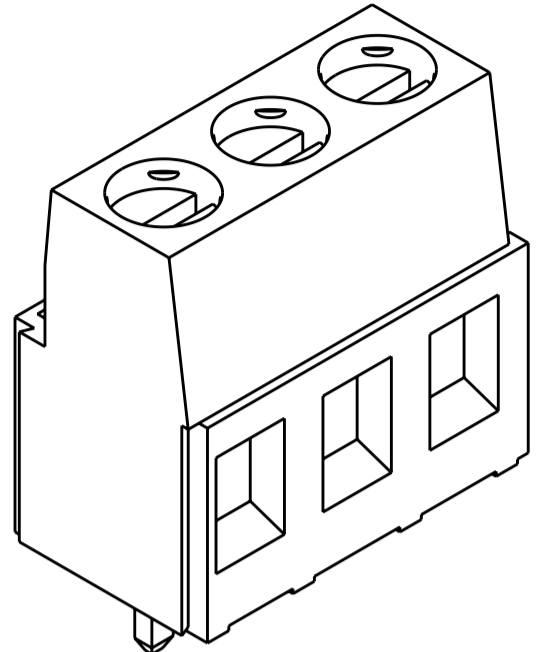
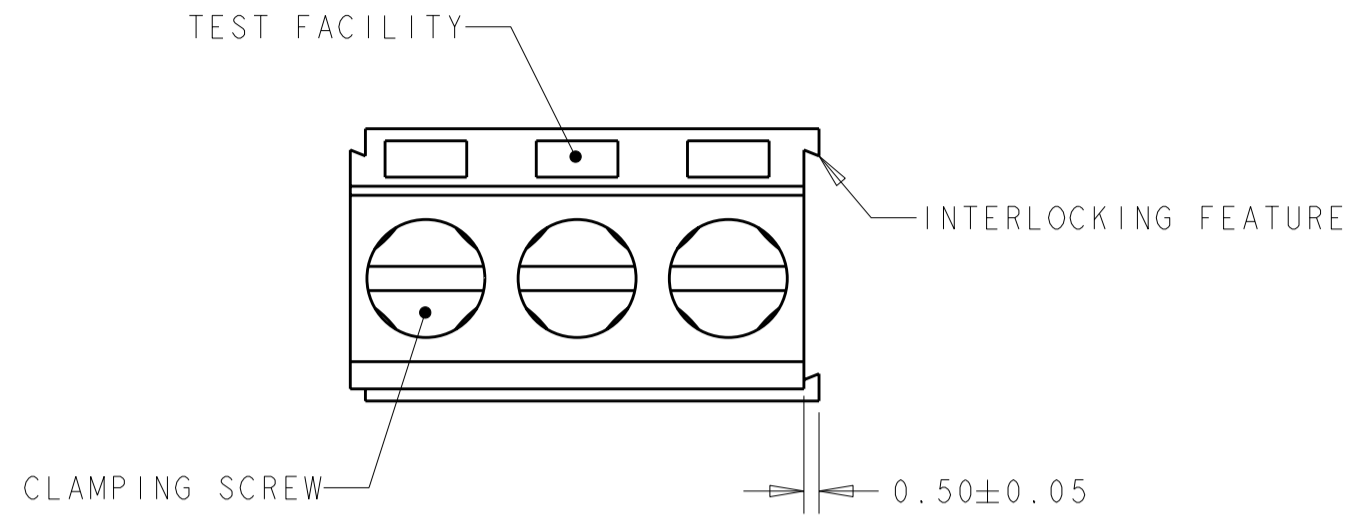
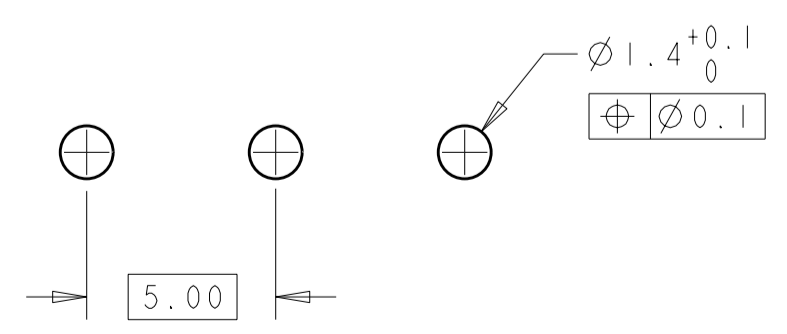
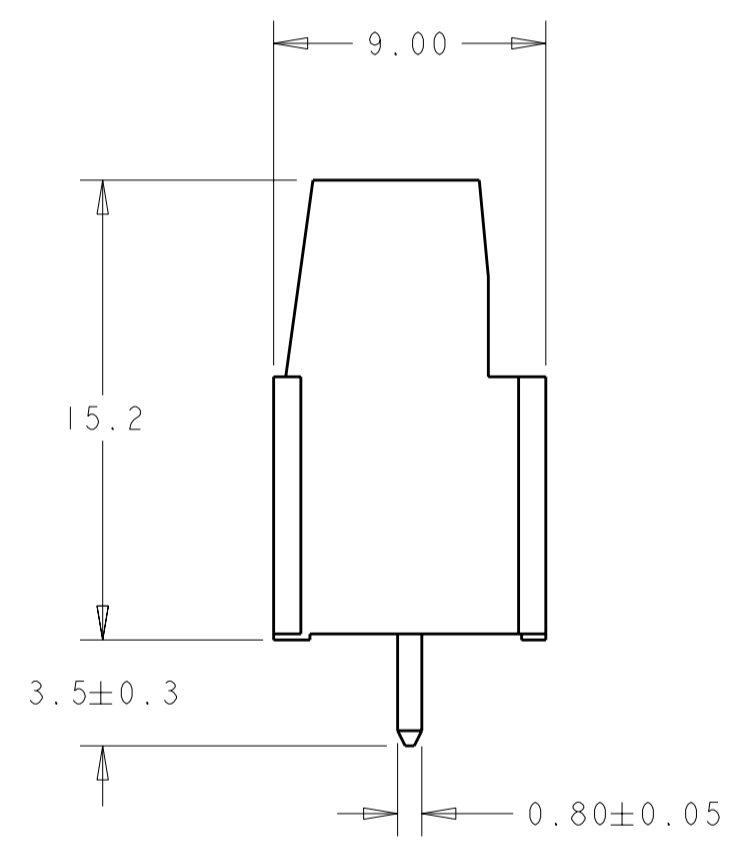
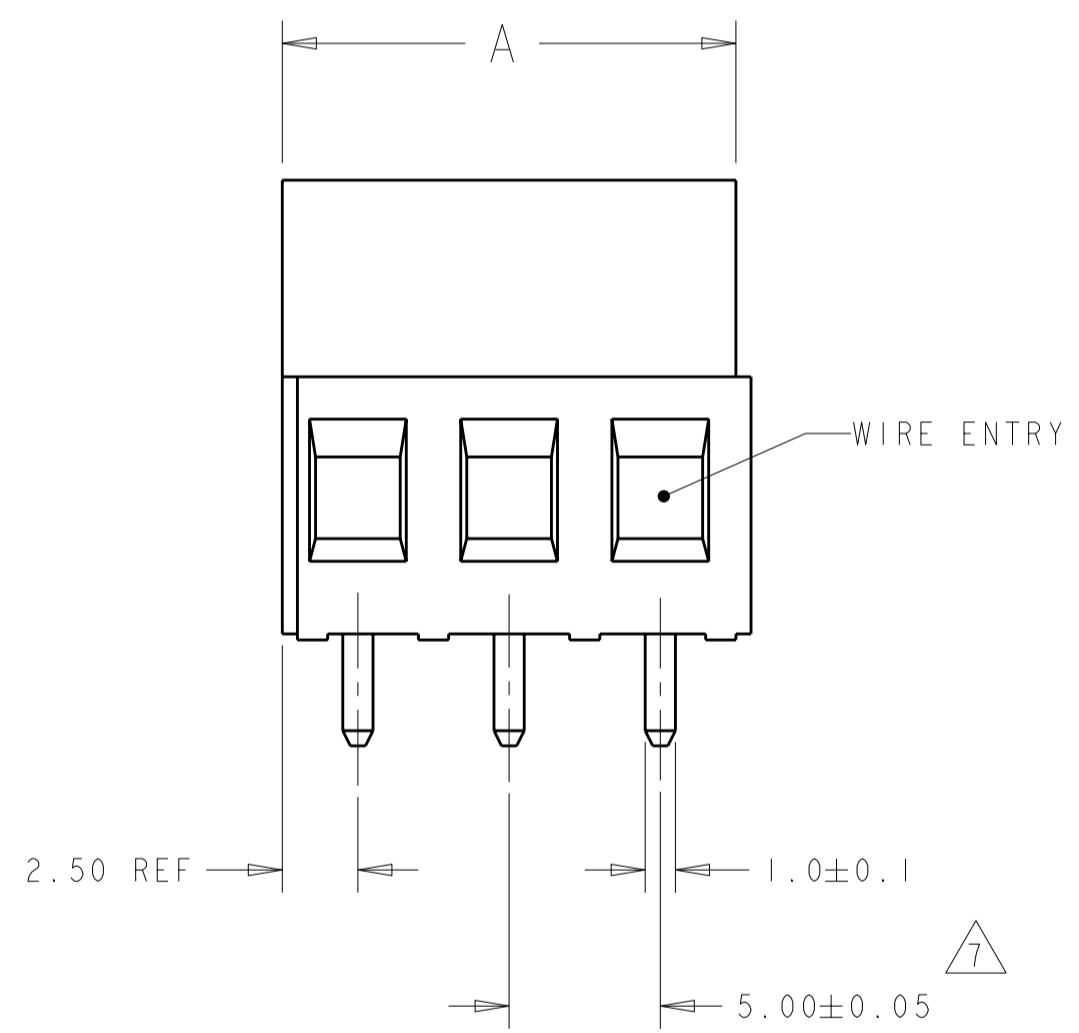


THIS DRAWING IS UNPUBLISHED. RELEASED FOR PUBLICATION 20
 © COPYRIGHT 20 BY - ALL RIGHTS RESERVED.

LOC	DIST	REVISIONS			
P	LTR	DESCRIPTION	DATE	DWN	APVD
FT	0	C4	REVISED PER ECO-11-005027	16MAR2011	RK HMR



796683-3 AS SHOWN



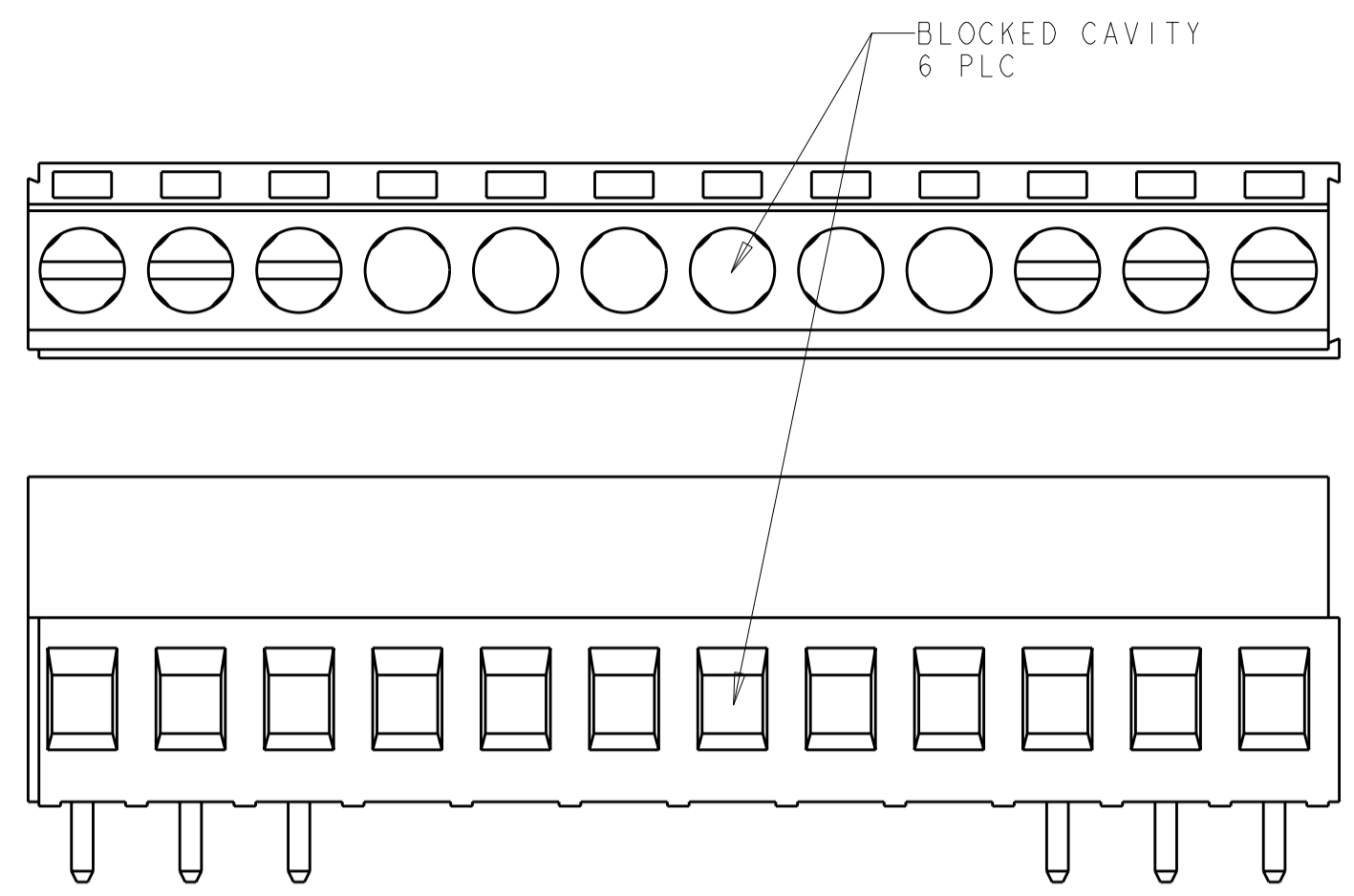
RECOMMENDED PC BOARD LAYOUT
SCALE 5:1

SELECT LOAD IN CIRCUITS	MARKING	SPECIAL	A	POSN	PART NUMBER
1, 2, 3, 10, 12	-	SEE DETAIL M	60.00	12	3-796683-1
1, 2, 3, 10, 12	-	-	60.00	12	3-796683-0
-	-	SEE DETAIL L	25.00	5	2-796683-9
-	8	SEE DETAIL K	30.00	6	2-796683-8
-	-	SEE DETAIL J	60.00	12	2-796683-7
-	-	SEE DETAIL H	60.00	12	2-796683-6
-	-	-	125.00	25	2-796683-5
-	-	-	120.00	24	2-796683-4
-	-	-	115.00	23	2-796683-3
-	-	-	110.00	22	2-796683-2
-	-	-	105.00	21	2-796683-1
-	-	-	100.00	20	2-796683-0
-	-	-	95.00	19	1-796683-9
-	-	-	90.00	18	1-796683-8
-	-	-	85.00	17	1-796683-7
-	-	-	80.00	16	1-796683-6
-	-	-	75.00	15	1-796683-5
-	-	-	70.00	14	1-796683-4
-	-	-	65.00	13	1-796683-3
-	-	-	60.00	12	1-796683-2
-	-	-	55.00	11	1-796683-1
-	-	-	50.00	10	1-796683-0
-	-	-	45.00	9	796683-9
-	-	-	40.00	8	796683-8
-	-	-	35.00	7	796683-7
-	-	-	30.00	6	796683-6
-	-	-	25.00	5	796683-5
-	-	-	20.00	4	796683-4
-	-	-	15.00	3	796683-3
-	-	-	10.00	2	796683-2

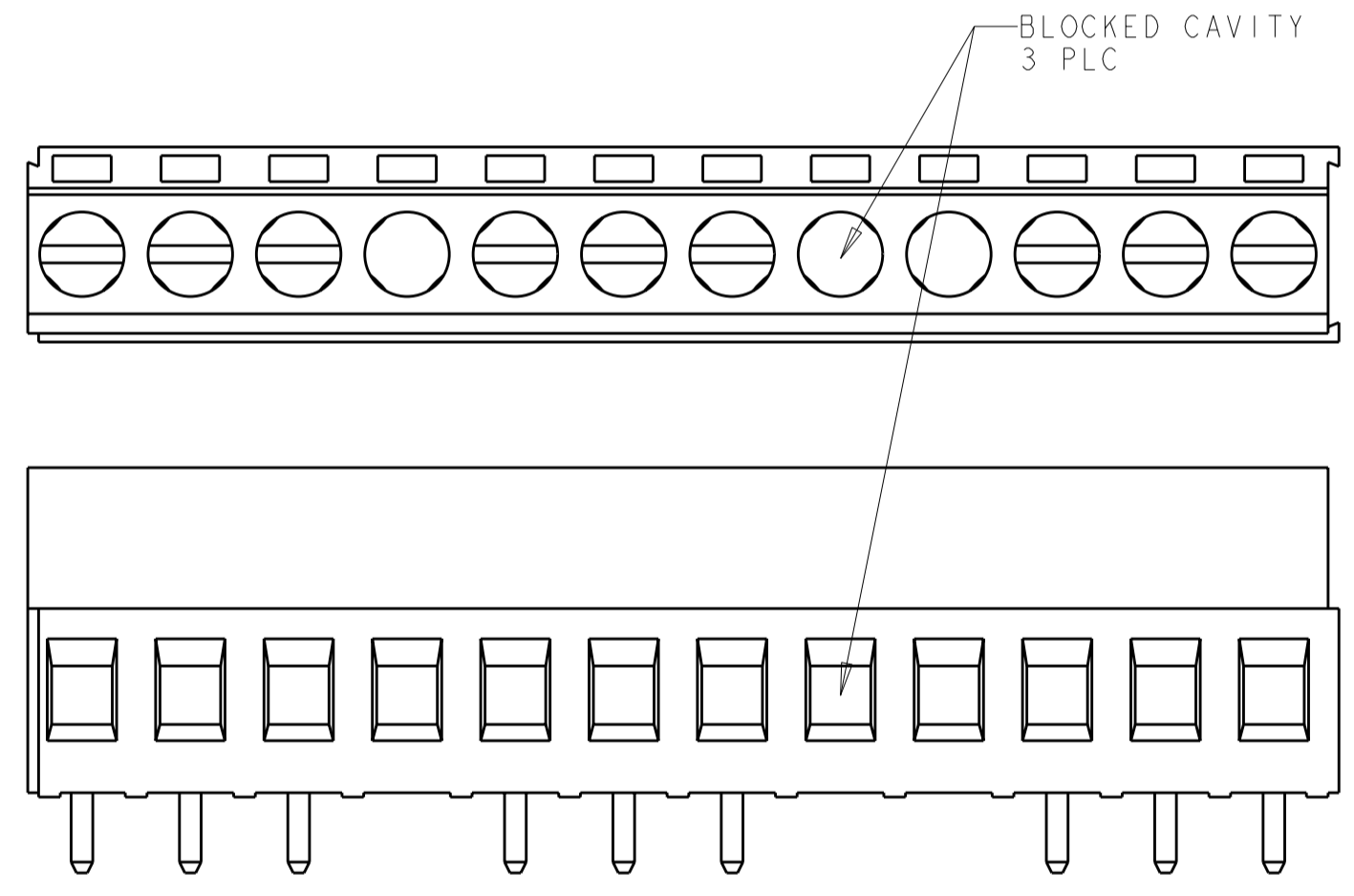
THIS DRAWING IS A CONTROLLED DOCUMENT.		DWN E. ZANOLINI 05APR2001	TE Connectivity	
DIMENSIONS: mm		CHK D. BIEVENOUR 05APR2001		
TOLERANCES UNLESS OTHERWISE SPECIFIED:		APVD D. BIEVENOUR 05APR2001	NAME TERMINAL BLOCK PCB MOUNT W/INTERLOCK, 5.00mm PITCH	
0 PLC ±0 1 PLC ±0.3 2 PLC ±0.25 3 PLC ±0 4 PLC ±0		PRODUCT SPEC -	SIZE A200779C-796683	
ANGLES ±2°		FINISH -	CAGE CODE A200779C-796683	
MATERIAL 1		WEIGHT -	DRAWING NO 796683	
		CUSTOMER DRAWING		RESTRICTED TO -
		SCALE 2:1		SHEET 1 OF 2 REV C4

THIS DRAWING IS UNPUBLISHED. RELEASED FOR PUBLICATION 20
 © COPYRIGHT 20 BY - ALL RIGHTS RESERVED.

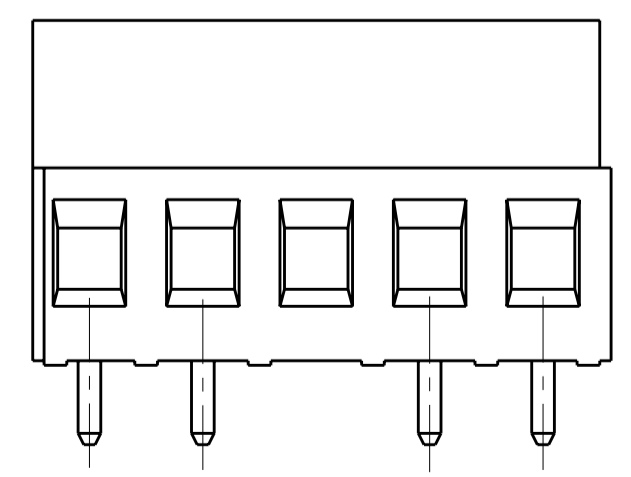
LOC	DIST	REVISIONS			
P	LTR	DESCRIPTION	DATE	DWN	APVD
FT	0	-	SEE SHEET 1	-	-



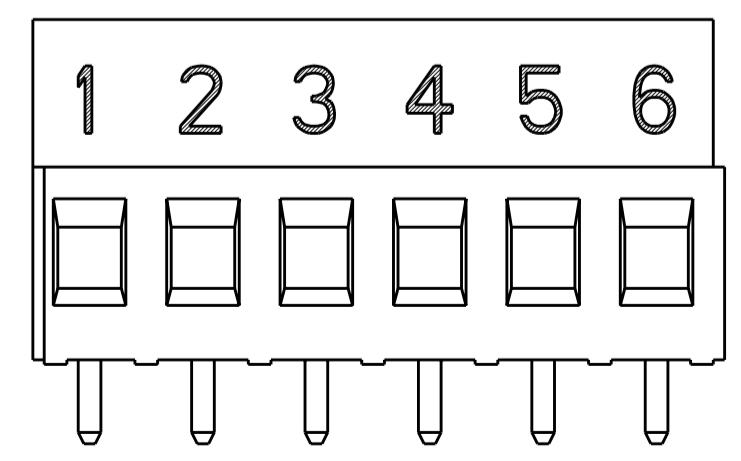
DETAIL H



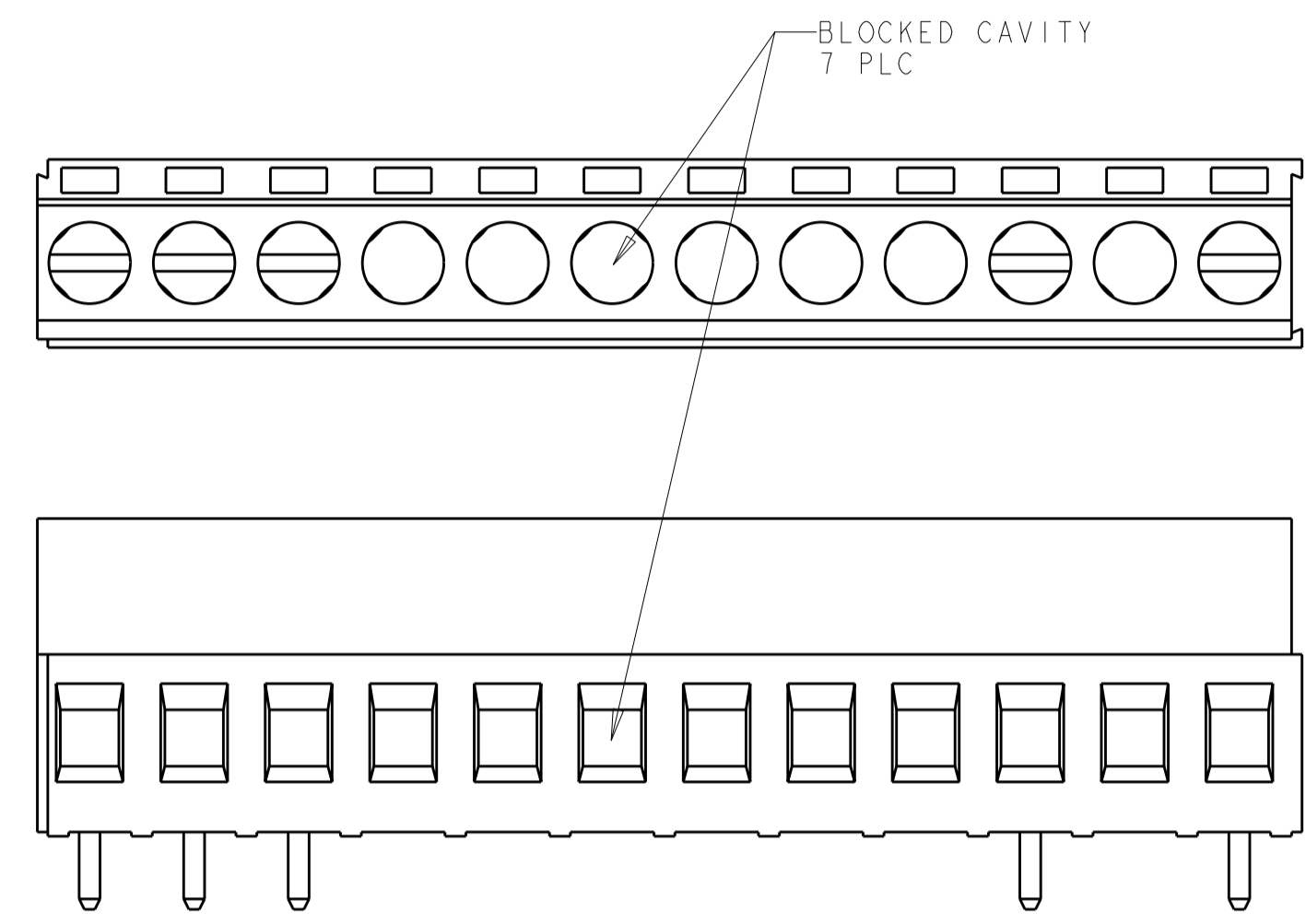
DETAIL J



DETAIL L



DETAIL K



DETAIL M

- 1 MATERIALS AND FINISH:
 HOUSING: PA 6-6, UL 94-V0, COLOR: GREEN.
 CLAMP: BRASS, NICKEL PLATED.
 TERMINAL: BRASS, TIN PLATED.
 CLAMPING SCREW: M3, BRASS, NICKEL PLATED.
- 2. SUITABLE FOR 1,6-2,4mm. PCB THICKNESS.
- 3. END-TO-END STACKABLE W/INTERLOCK WITHOUT LOSS OF CENTERLINE SPACING.
- 4. WIRE SIZE RANGE: 12-30 AWG.
- 5. RECOGNIZED UNDER THE COMPONENT PROGRAM OF UNDERWRITERS LABORATORIES INC. FILE No E60677.
- 6. IMQ CERTIFICATE WITH SURVEILLANCE IN CONFORMITY WITH IEC 998-1/998-2-1.
- 7 NOT CUMULATIVE TOLERANCE.
- 8 INK MARKED WHITE. NUMERICAL SEQUENCE FROM LEFT TO RIGHT.
- 9. BUCHANAN LOGO TO APPEAR ON HOUSING, LOCATION OPTIONAL WHERE SPACE PERMITS.

THIS DRAWING IS A CONTROLLED DOCUMENT.		DWN E. ZANOLINI 05APR2001	TE Connectivity	
DIMENSIONS: mm		CHK D. BIEVENOUR 05APR2001		
TOLERANCES UNLESS OTHERWISE SPECIFIED:		APVD D. BIEVENOUR 05APR2001	NAME TERMINAL BLOCK PCB MOUNT W/INTERLOCK, 5.00mm PITCH	
0 PLC ±0 1 PLC ±0.3 2 PLC ±0.25 3 PLC ±0 4 PLC ±0		PRODUCT SPEC -	SIZE A200779	
MATERIAL -		FINISH -	DRAWING NO C-796683	
		WEIGHT -	RESTRICTED TO -	
		CUSTOMER DRAWING	SCALE 3:1 SHEET 2 OF 2 REV C4	