

THIS DRAWING IS UNPUBLISHED.

RELEASED FOR PUBLICATION

20

© COPYRIGHT 20

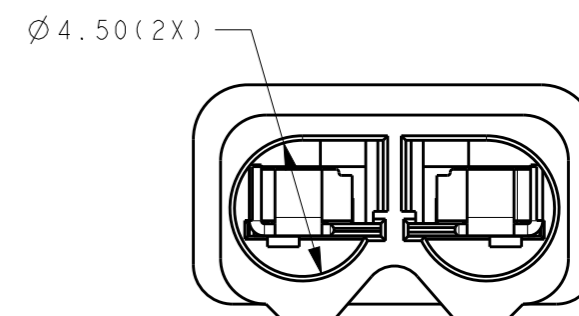
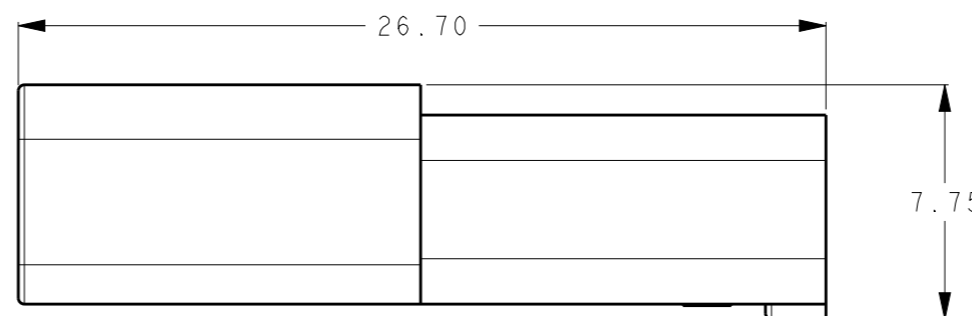
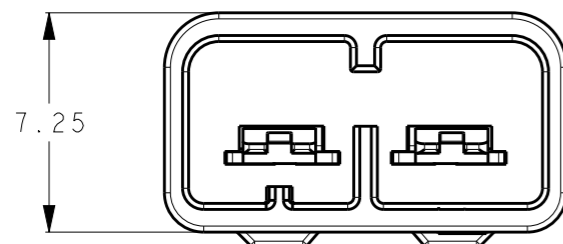
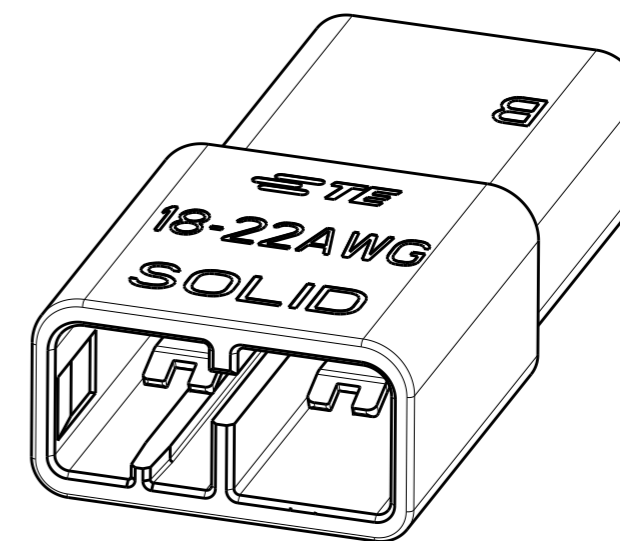
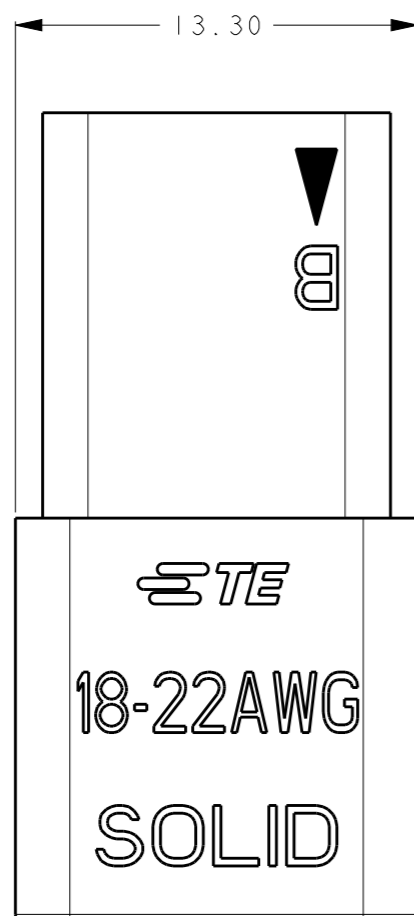
ALL RIGHTS RESERVED.

LOC
ES

DIST

REVISIONS

P	LTR	DESCRIPTION	DATE	DWN	APVD
B		ECR-16-007582	01JUN2016	M.S	X.X
C		ECR-18-020006	03APR2019	M.S	M.S
C1		ECR-19-013399	26DEC2019	F.F	M.S
C2		ECR-20-009837	14JULY2020	W.Z	M.S



PART NUMBER	PART COLOR
2271183-1	ORANGE
2271183-2	BLACK
2271183-3	WHITE (NATURAL)

NOTES:

- 1. TE PART NUMBER: SEE TABLE.
- 2. MATERIAL: COPPER ALLOY.
- 3. HOUSING: NYLON, UL 94-V0. COLOR: ORANGE.
- 4. FINISH: TIN PLATING OVERALL.
- 5. APPLICABLE WIRE: AWG18-22 SOLID OR TIN DIPPED STRANDED. (16 STRANDS MAX. FOR 18 AWG, 7 STRANDS MAX FOR 20-22 AWG. SEE RELATED APPLICATION SPECIFICATION AND PRODUCT SPECIFICATION)
- 6. STRIP LENGTH: 9.0-9.6mm.
- 7. APPLICABLE MATING PLUG: 2271180 SERIES.
- 8. PRODUCT COMPLIES TO UL 2459 REQUIREMENT AND QUALIFIED: ZMNA.E308110 ; ZMNA7.E308110

THIS DRAWING IS A CONTROLLED DOCUMENT.

DIMENSIONS:	TOLERANCES UNLESS OTHERWISE SPECIFIED:
mm	± 0.5
	0 PLC \pm
	1 PLC \pm
	2 PLC \pm
	3 PLC \pm
	4 PLC \pm
	ANGLES $\pm 5^\circ$
MATERIAL	FINISH

DWN	26DEC2019
FRANK FAN	
CHK	26DEC2019
GEORGE FU	
APVD	26DEC2019
MING SHI	
PRODUCT SPEC	108-137020
APPLICATION SPEC	114-137020
WEIGHT	1.82 g
CUSTOMER DRAWING	

TE Connectivity		NAME		RESTRICTED TO	
TE		2 PINS WIRE TO WIRE CONNECTOR RECEPTACLE		-	
SIZE	CAGE CODE	DRAWING NO			
A3	00779	C-2271183			
SCALE	SHEET	OF	REV		
4:1	1	3	C2		

THIS DRAWING IS UNPUBLISHED.

RELEASED FOR PUBLICATION

20

© COPYRIGHT 20

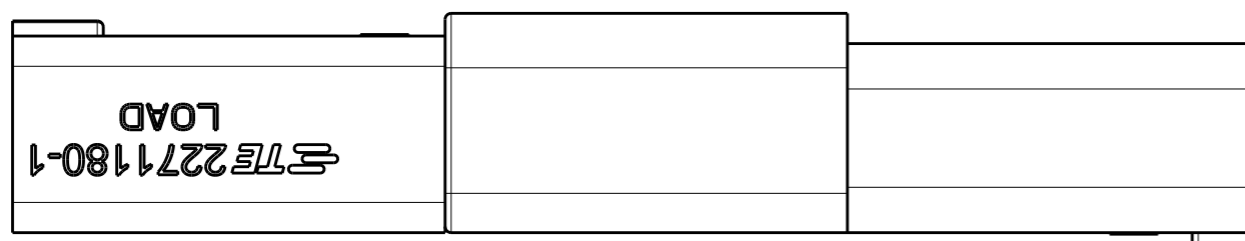
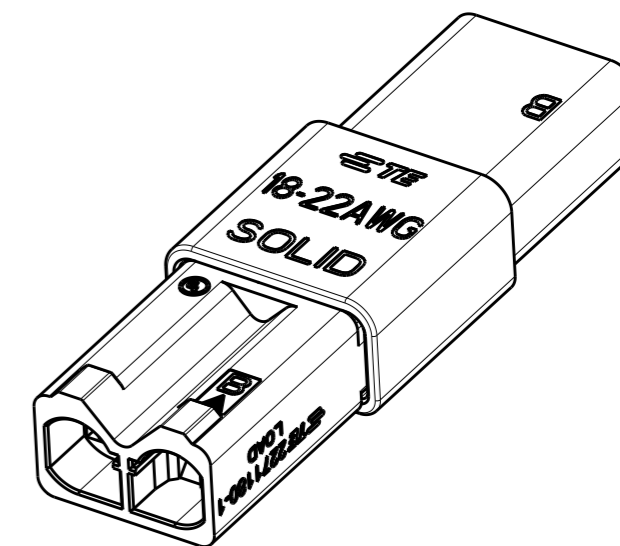
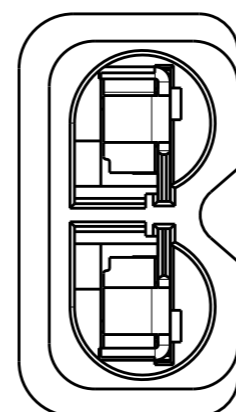
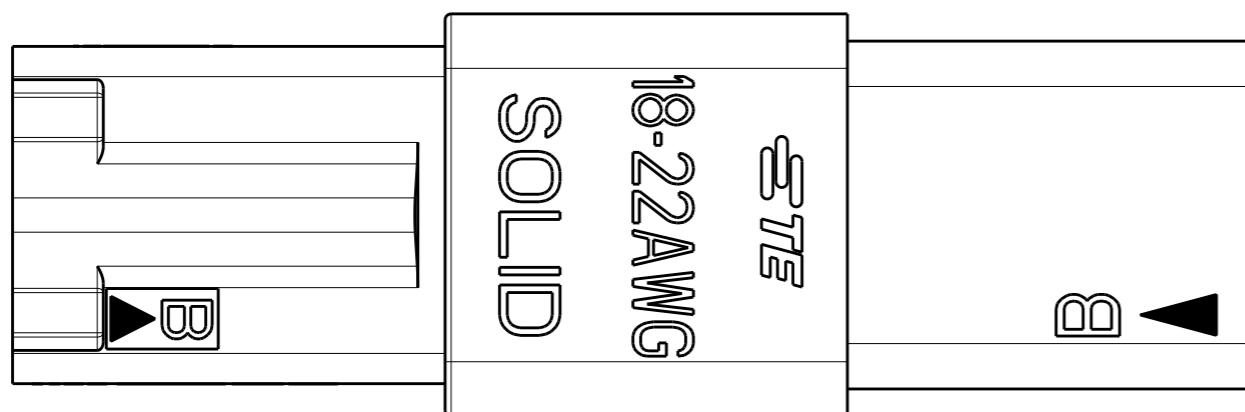
ALL RIGHTS RESERVED.

LOC ES DIST

REVISIONS

P	LTR	DESCRIPTION	DATE	DWN	APVD

MATED WITH PLUG



THIS DRAWING IS A CONTROLLED DOCUMENT.

DIMENSIONS:	TOLERANCES UNLESS OTHERWISE SPECIFIED:
mm	± 0.5
	0-PLC ±
	1-PLC ±
	2-PLC ±
	3-PLC ±
	4-PLC ±
MATERIAL	ANGLES ± 5°
	FINISH

DWN	26DEC2019
CHK	FRANK FAN
APVD	26DEC2019
	GEORGE FU
	26DEC2019
	MING SHI
PRODUCT SPEC	-
APPLICATION SPEC	-
WEIGHT	-
CUSTOMER DRAWING	

STE TE Connectivity

NAME				2 PINS WIRE TO WIRE CONNECTOR RECEPTACLE	
SIZE	CAGE CODE	DRAWING NO	RESTRICTED TO		
A3	00779	C-2271183	-		
SCALE	SHEET	OF	REV		
4:1	2	3	C2		

THIS DRAWING IS UNPUBLISHED.

RELEASED FOR PUBLICATION

20

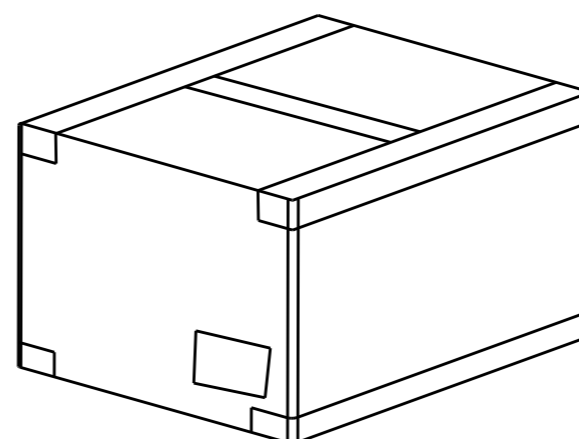
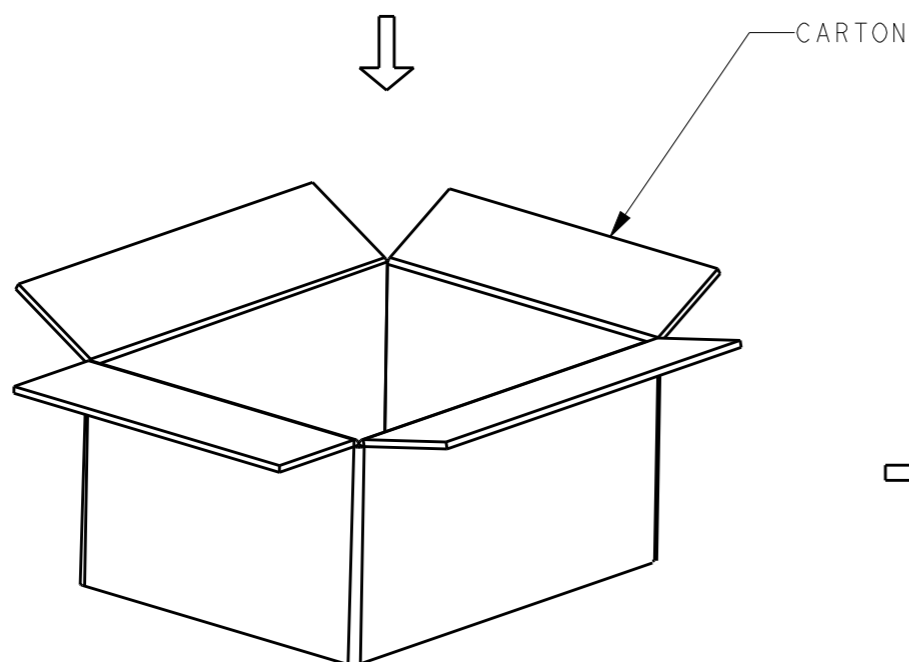
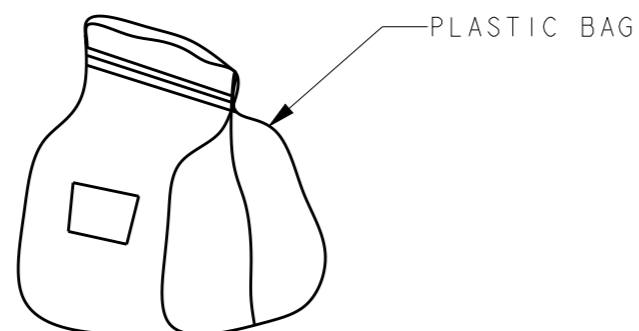
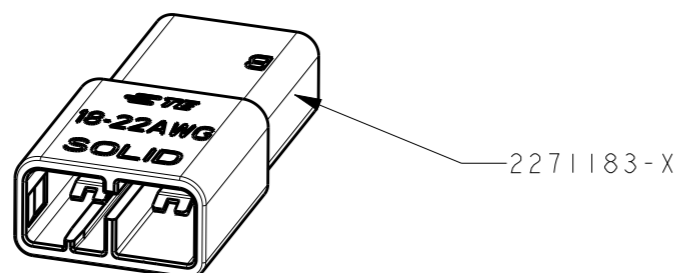
© COPYRIGHT 20

ALL RIGHTS RESERVED.

LOC ES DIST

REVISIONS

P	LTR	DESCRIPTION	DATE	DWN	APVD



NOTE:
1. PACKAGING QUANTITY: SEE TABLE.

PARTS PER BAG	BAGS PER CARTON	PARTS PER CARTON
500 PCS	8	4000 PCS

THIS DRAWING IS A CONTROLLED DOCUMENT.

DIMENSIONS:	TOLERANCES UNLESS OTHERWISE SPECIFIED:
mm	
	0 PLC ±
	1 PLC ±10.0
	2 PLC ±5.0
	3 PLC ±
	4 PLC ±
	ANGLES ±5°
MATERIAL	FINISH
-	-

DWN	26DEC2019
FRANK FAN	
CHK	26DEC2019
GEORGE FU	
APVD	26DEC2019
MING SHI	
PRODUCT SPEC	-
APPLICATION SPEC	-
WEIGHT	-
CUSTOMER DRAWING	



NAME				RESTRICTED TO	
2 PINS WIRE TO WIRE CONNECTOR RECEPTACLE					
SIZE	CAGE CODE	DRAWING NO	RESTRICTED TO		
A3	00779	C-2271183	-		
SCALE		SHEET		REV	
4:1		3 OF 3		C2	