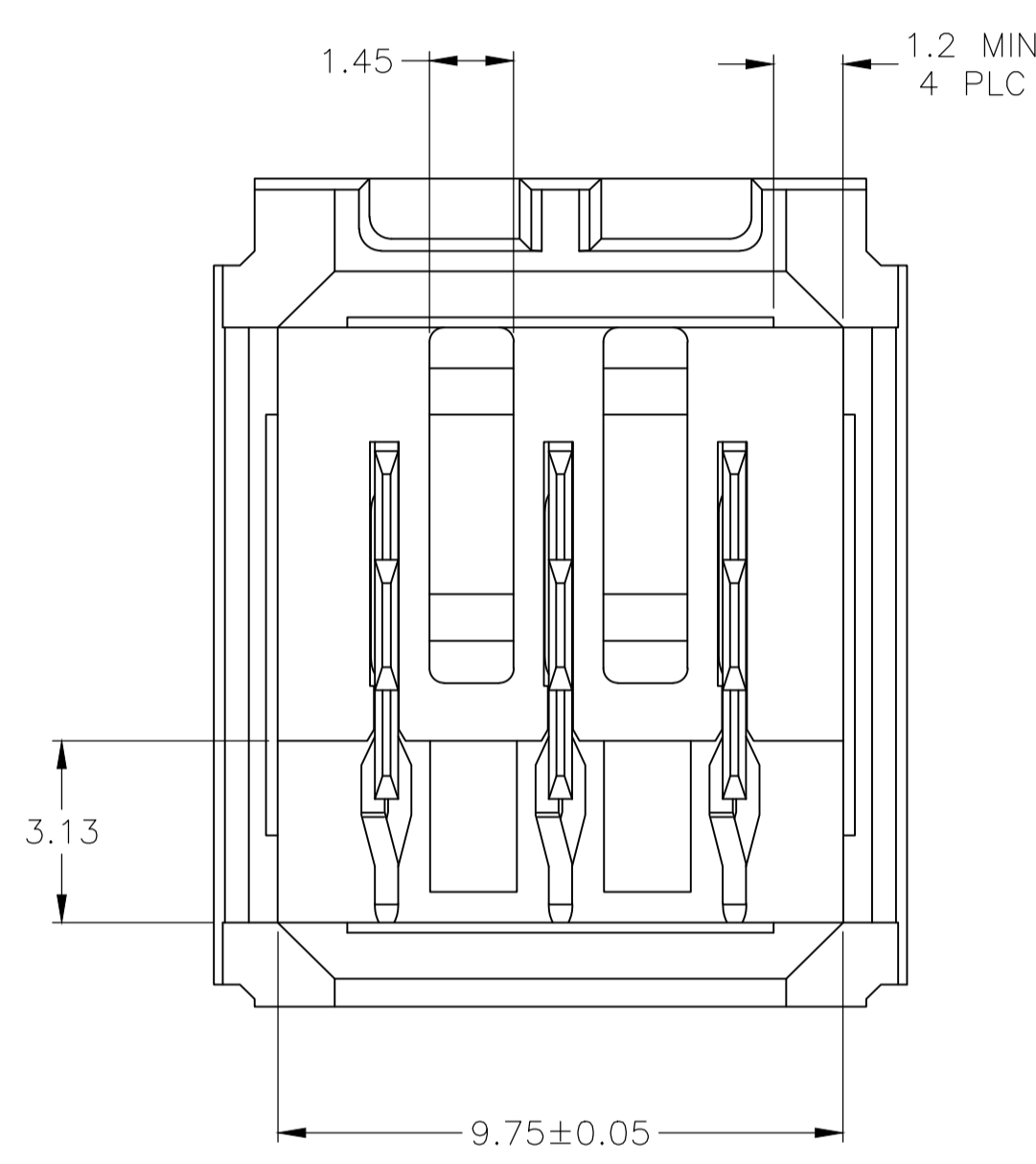
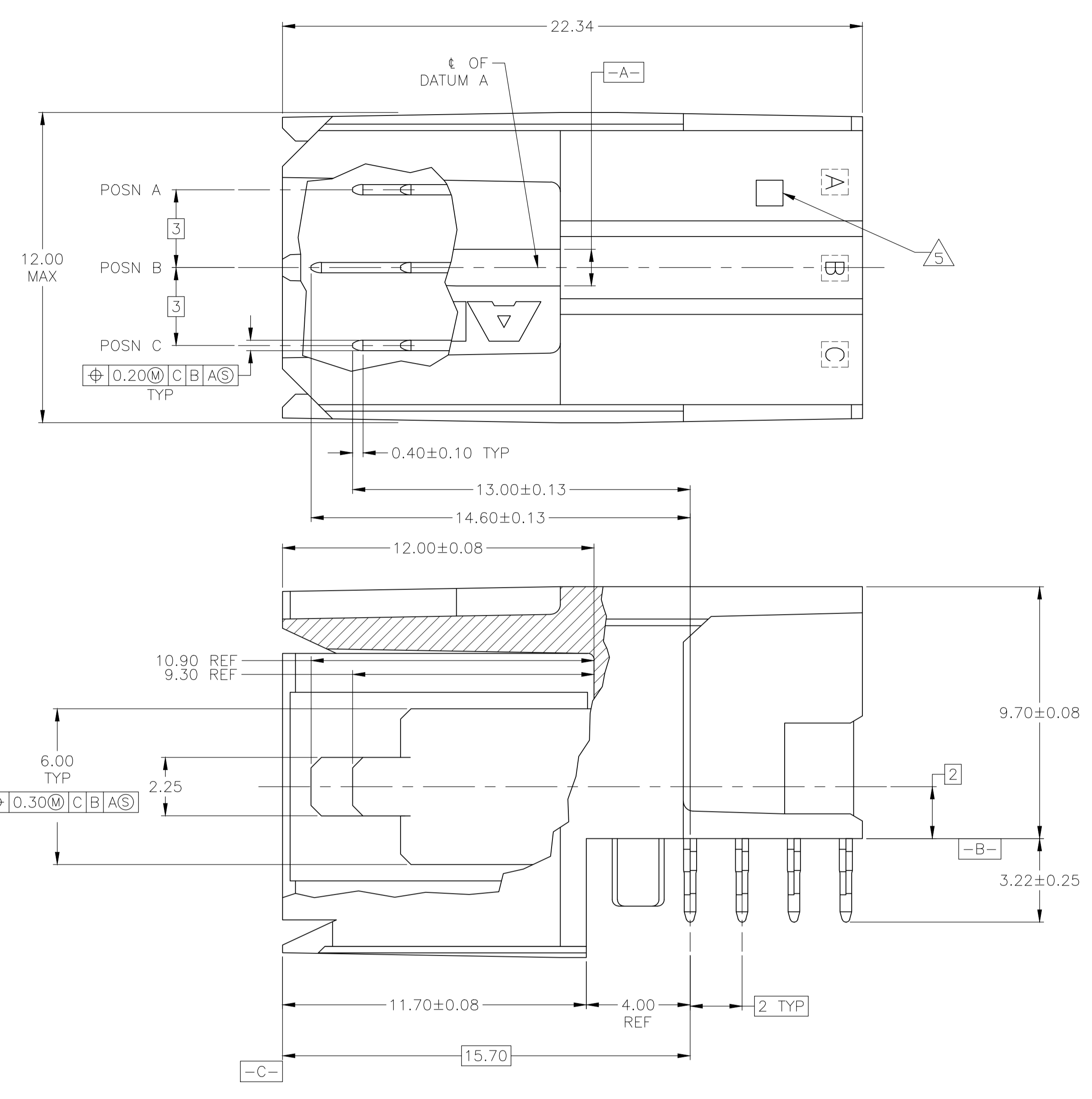
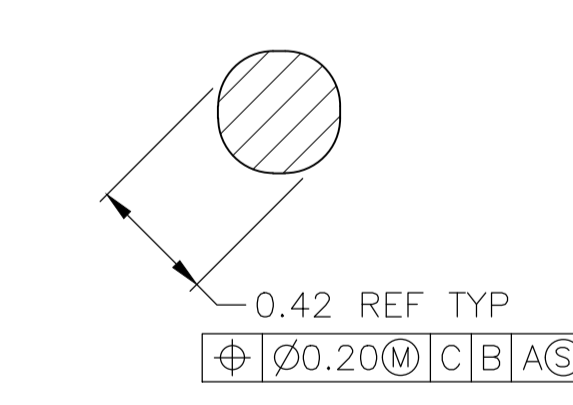
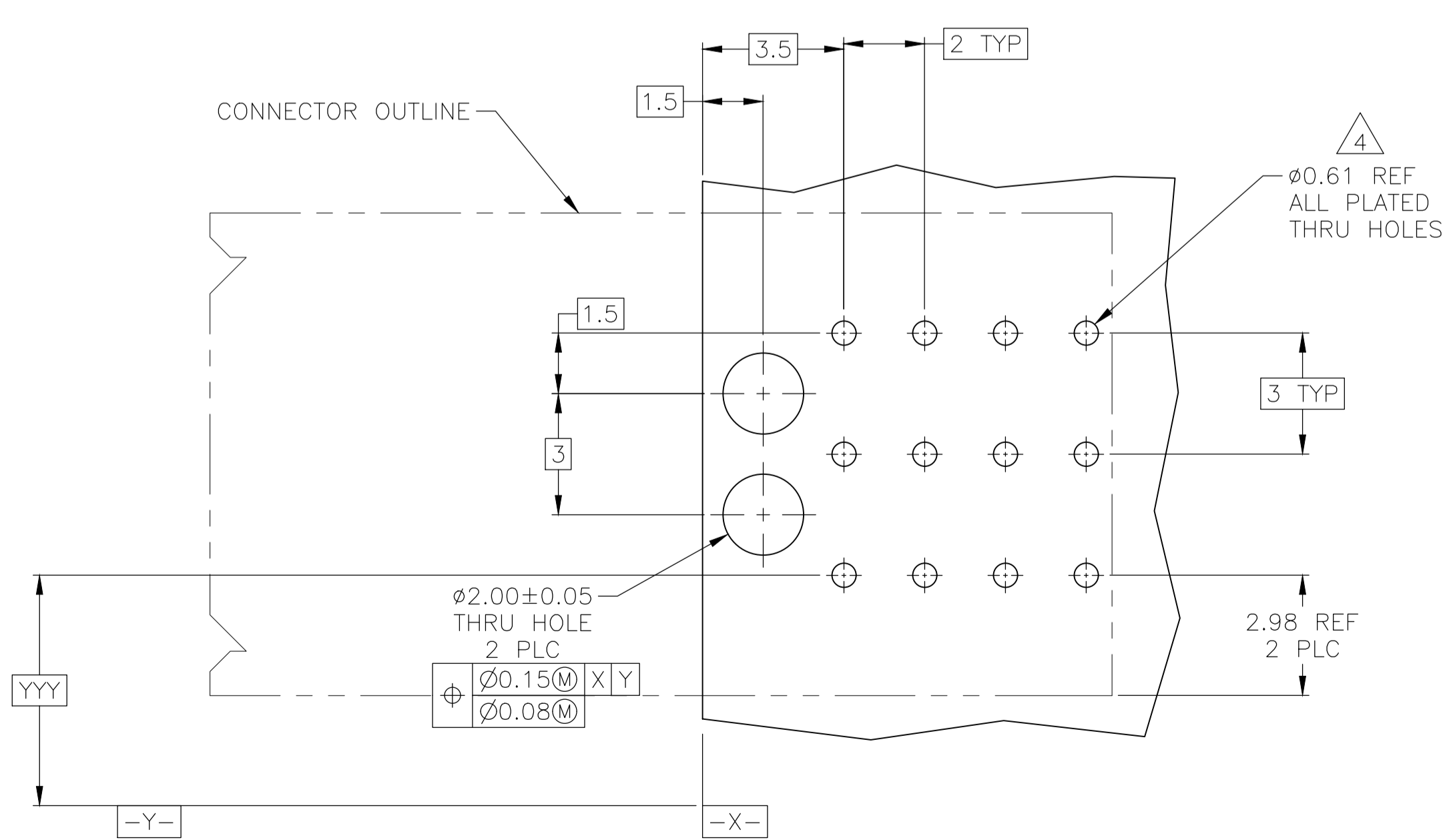
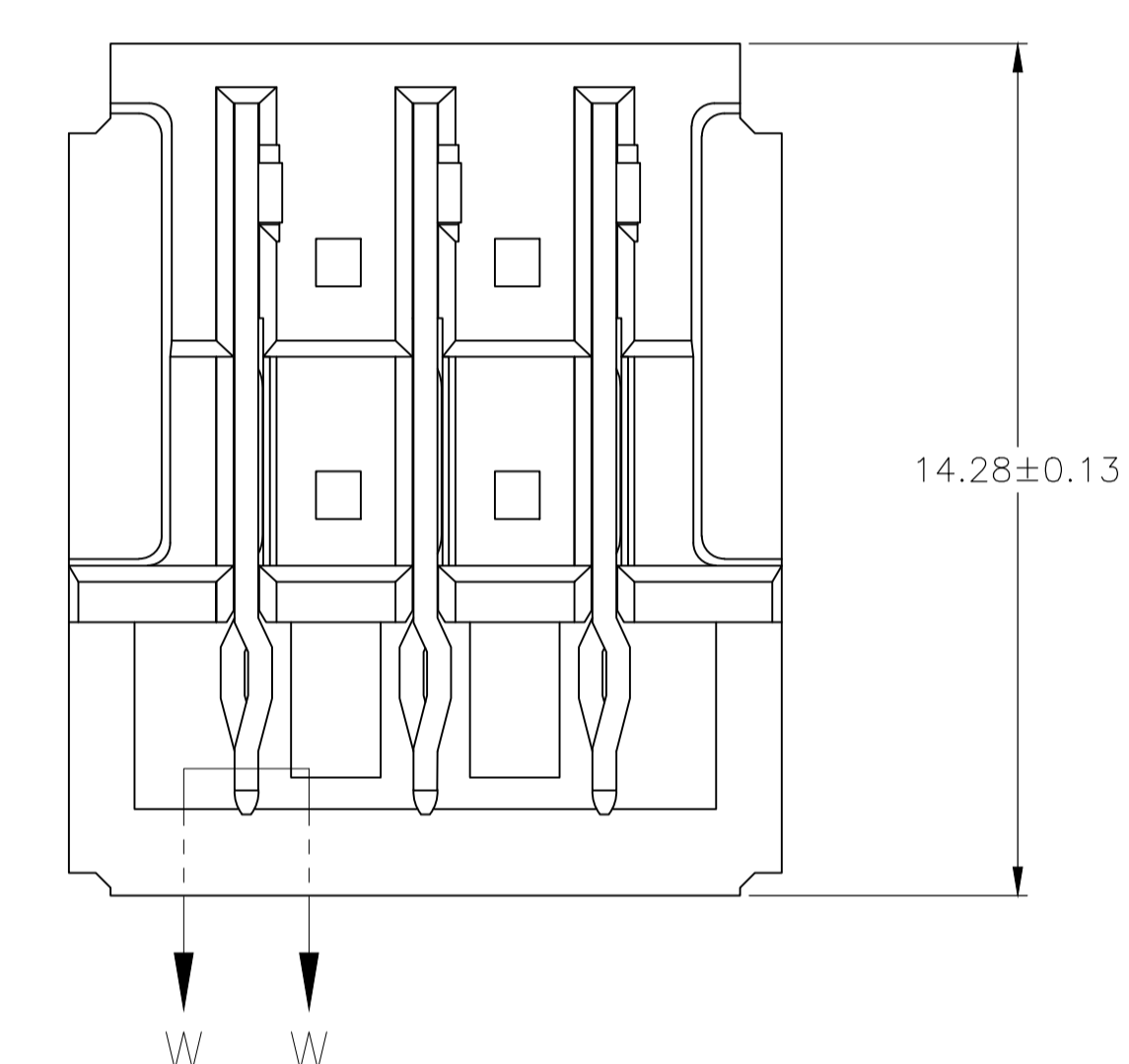


LOC		DIST		REVISIONS			
AD	00	REV	DATE	BY	APP'D	REV	DATE
C2	REVISED PER ECO-20-004668		27MAY2020	ML	SZ		



- 1 HOUSING: POLYESTER, GRAY. UL 94V-0. CONTACT: PHOSPHOR BRONZE.
- 2 FINISH: IN ACCORDANCE WITH PRODUCT SPECIFICATION 108-1651, GOLD PLATING OR EQUIVALENT PLATING ON PRODUCT CONTACT MATING AREA, AND MATTE TIN PLATING ON COMPLIANT PIN AREA, ALL OVER MATTE NICKEL UNDERPLATED. DETAIL PLEASE REFER TO PRODUCT SPECIFICATION 108-1651.
- 3 CONTACT LUBRICATION WITH BELCORE APPROVED LUBRICANT. TECHNICAL REFERENCE: TR-NWT-001217 ISSUE 1, SEPT 1992.
- 4 REFERENCE APPLICATION SPEC 114-1103 FOR RECOMMENDED PLATED THRU HOLE DIAMETER AND PLATING THICKNESS.
- 5 NUMBER "2" MARKED IN THIS AREA.
- 6 HOUSING: POLYESTER, GRAY. UL 94V-0. CONTACT: HIGH CONDUCTIVITY COPPER ALLOY.
- 7 CURRENT RATING 10A/CONTACT FOR PHOS BRONZE CONTACT AND 16A/CONTACT FOR HIGH CURRENT COPPER ALLOY CONTACTS PER PRODUCT SPEC 108-1651.



SECTION W-W  
SCALE 40:1

RECOMMENDED PCB HOLE LAYOUT

DESCRIPTION	REMARKS	PART NUMBER
UPM HC 3P CONN	[1][2][3]	5-5223963-1
UPM STD 3P CONN	[1][2][3]	5223963-7
UPM STD 3P CONN	[1][2][3]	5223963-1

DIMENSIONS:		TOLERANCES UNLESS OTHERWISE SPECIFIED:		MATERIAL		FINISH		WEIGHT		CUSTOMER DRAWING	
mm				SEE TABLE	SEE TABLE					SCALE	SHEET
0 PLC	±									8:1	1 OF 1
1 PLC	±	0.13									
2 PLC	±	0.13									
3 PLC	±	0.13									
4 PLC	±	0.13									
ANGLES	±										