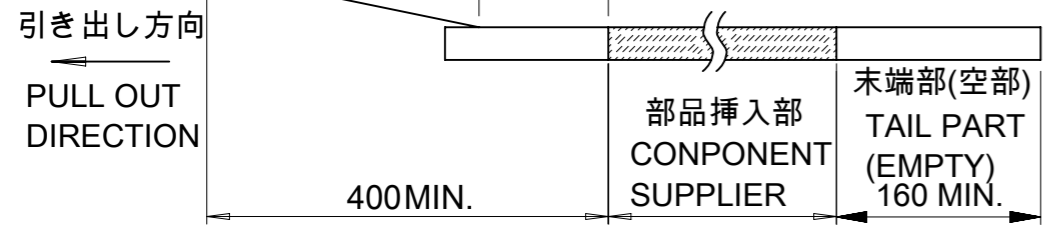


DETAIL E

NOTES

- 製品詳細寸法については、5054951000PSD002を参照下さい。  
PLEASE REFER TO 5054951000PSD002 FOR THE DETAILED DIMENSION OF THE CONNECTOR.
- 梱包数量：900個  
NUMBER OF CONNECTIONS：900 PIECES/REEL.
- リードテープ長さ  
LEAD TAPE LENGTH



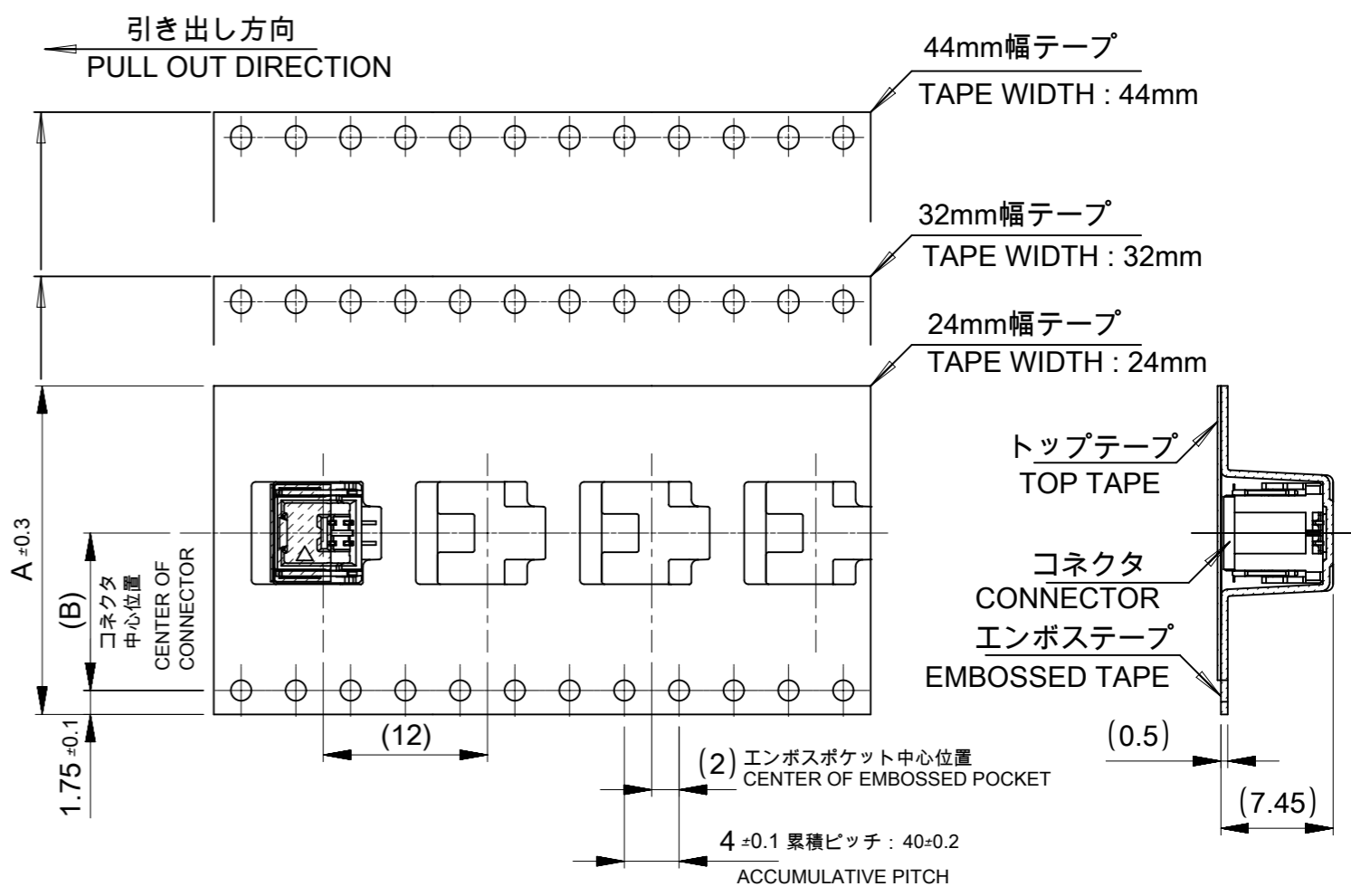
- 材料  
キャリアテープ：ポリスチレン(PS)  
トップテープ：ポリエステル、ポリエチレン、ポリエチレンテレフタレート  
リール：ポリスチレン  
MATERIAL  
CARRIER TAPE：POLYSTYRENE(PS)  
TOP TAPE：POLYESTER, POLYETHYLENE, POLYETHYLENE TEREPHTHALATE  
REEL：POLYSTYRENE

5. オーダー番号と極数、色の関係  
RELATION ORDER NUMBER AND COLOR, CKT.

505495- \* \* 6 \*

極数	色	No.	COLOR
6	ベージュ	0	BEIGE

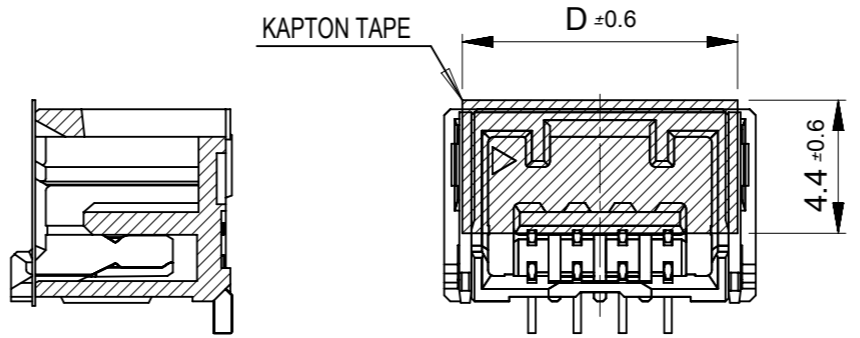
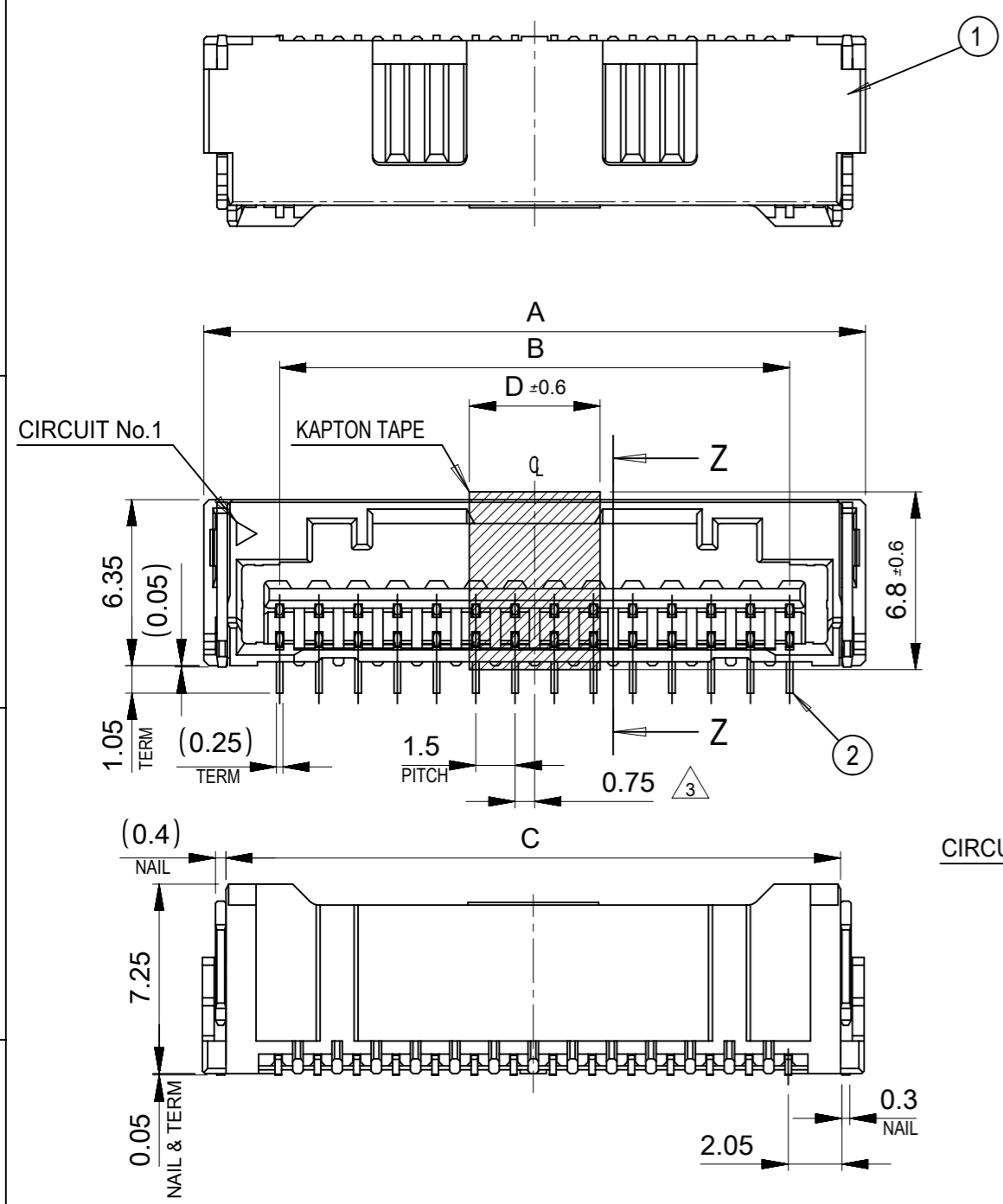
- ELV及びRoHS適合品  
ELV AND RoHS COMPLIANT
- 本製品はシリカゲル乾燥剤入り、防湿梱包仕様である。  
INCLUDING SILICAGEL TAPING PACKAGE.



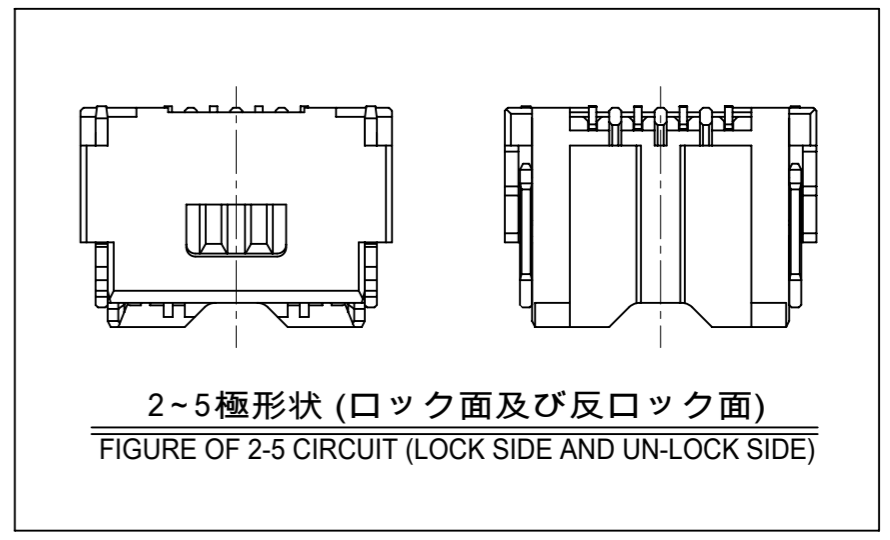
45.5	20.2	44	505495156*	15
45.5	20.2	44	146*	14
45.5	20.2	44	136*	13
45.5	20.2	44	126*	12
45.5	20.2	44	116*	11
45.5	20.2	44	106*	10
33.5	14.2	32	096*	9
33.5	14.2	32	086*	8
33.5	14.2	32	076*	7
33.5	14.2	32	066*	6
25.5	11.5	24	056*	5
25.5	11.5	24	046*	4
25.5	11.5	24	036*	3
25.5	11.5	24	505495026*	2
C	B	エンボステープ幅 A WIDTH OF TAPE	製品番号 MATERIAL NO.	極数 CKT. NO.

THIS DRAWING CONTAINS INFORMATION THAT IS PROPRIETARY TO MOLEX ELECTRONIC TECHNOLOGIES, LLC AND SHOULD NOT BE USED WITHOUT WRITTEN PERMISSION

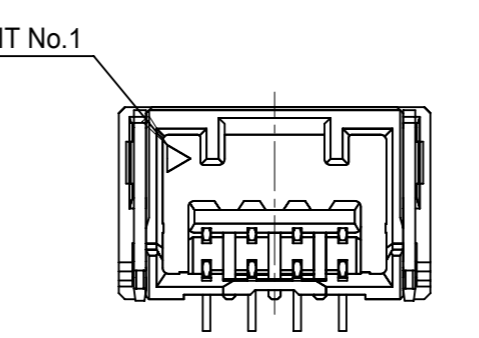
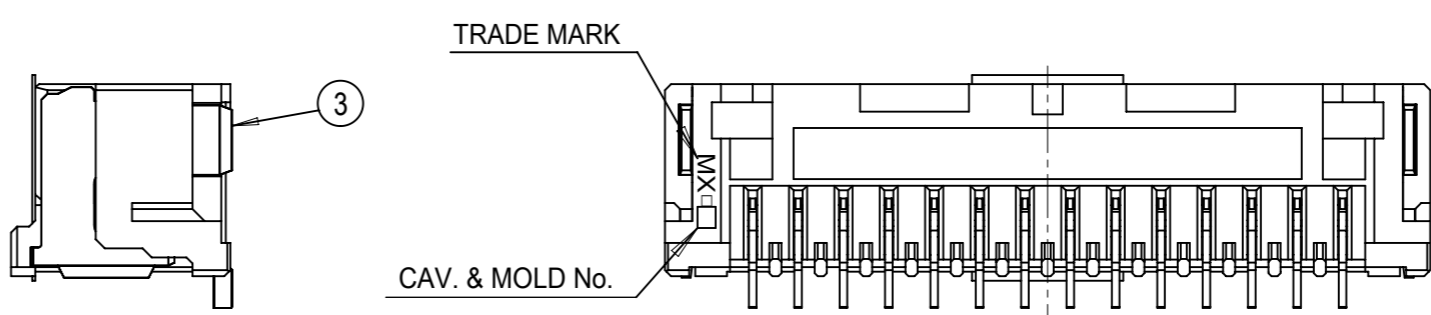
REDRAWN EC NO: 110246 DRWN: TAKAIKE CHK'D: KOMURAKAMI APPR: TKANEKO	2016/11/14	2016/11/15	2016/11/15	GENERAL TOLERANCES (UNLESS SPECIFIED)	DIMENSION UNITS	SCALE			
	4 PLACES	± 0.2	RWATANABE01	DATE	MM	NTS			
	3 PLACES	± 0.2	CHK'D BY	DATE					
	2 PLACES	± 0.3	KOMURAKAMI	2016/11/08					
1 PLACE	± 0.3	APPR BY	DATE			CLIK-MATE 1.5 W/B SINGLE ROW ST SMT EMBOSSSED TAPE PKG			
0 PLACES	± 0.3	TKANEKO	2016/11/09						
DRAFT WHERE APPLICABLE MUST REMAIN WITHIN DIMENSIONS				DRAWING SIZE	THIRD ANGLE PROJECTION				
				A3			PRODUCT CUSTOMER DRAWING		
						SERIES	MATERIAL NUMBER	CUSTOMER	
						505495	SEE CHART	GENERAL	
						DOCUMENT NUMBER	DOC TYPE	DOC PART	SHEET NUMBER
						5054950000	PSD	002	1 OF 1



SECTION Z-Z  
2~7極カプトンテ - プ形状  
KAPTON TAPE FIGURE OF 2-7 CIRCUIT



2~5極形状 (ロック面及び反ロック面)  
FIGURE OF 2-5 CIRCUIT (LOCK SIDE AND UN-LOCK SIDE)



2~11極 CIRCUIT No.1  
CIRCUIT No.1 OF 2-11 CIRCUIT

5	25	21	26.8	505495156*	15
5	23.5	19.5	25.3	505495146*	14
5	22	18	23.8	505495136*	13
5	20.5	16.5	22.3	505495126*	12
5	19	15	20.8	505495116*	11
5	17.5	13.5	19.3	505495106*	10
5	16	12	17.8	505495096*	9
5	14.5	10.5	16.3	505495086*	8
13.6	13	9	14.8	505495076*	7
12.1	11.5	7.5	13.3	505495066*	6
10.6	10	6	11.8	505495056*	5
9.1	8.5	4.5	10.3	505495046*	4
7.6	7	3	8.8	505495036*	3
6.1	5.5	1.5	7.3	505495026*	2
D	C	B	A	EMBOSSSED TAPE PACKAGE 注文番号 ORDER No.	CIRCUIT No.

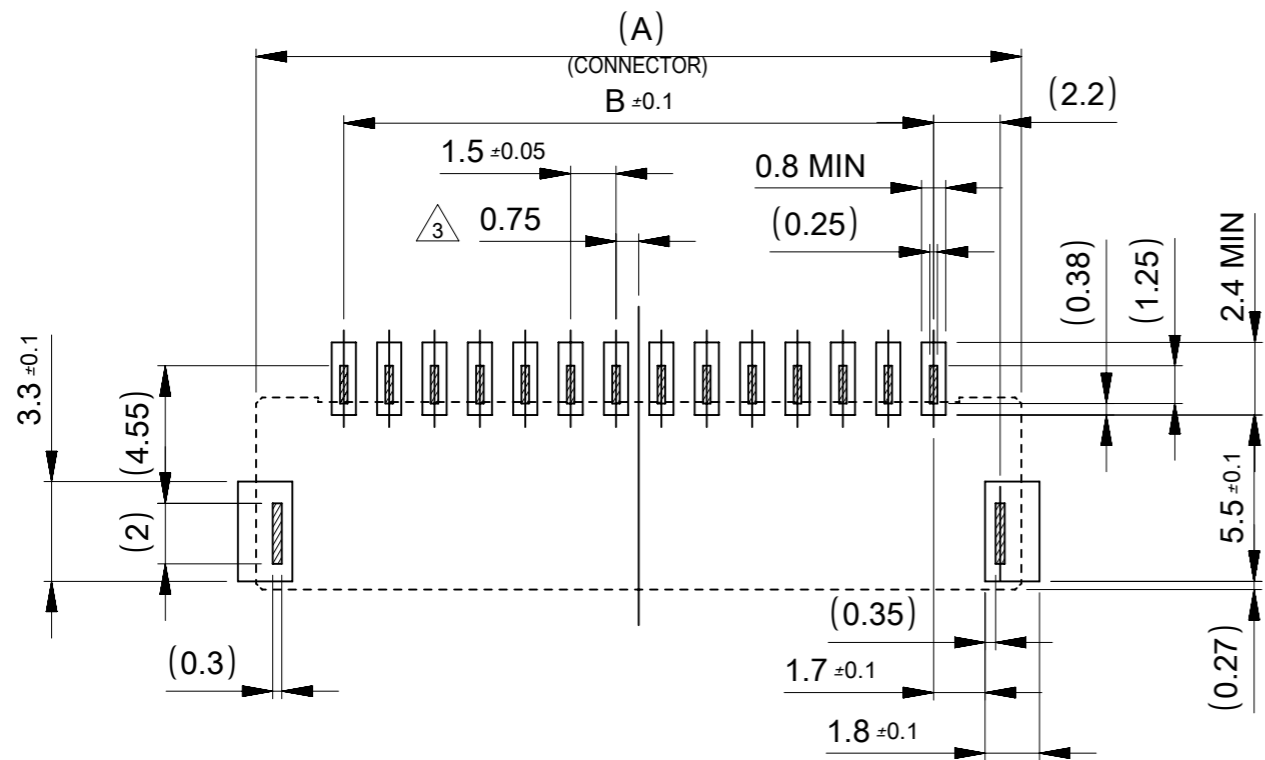
No.	部品 PART	材料 MATERIAL
①	ハウジング HOUSING	ポリアミド(PA) UL94V-0 POLYAMIDE(PA) RESIN UL94V-0
②	ターミナル TERMINAL	銅合金 COPPER ALLOY
		コンタクト部 金めっき : 0.2 micro-meter MIN. CONTACT AREA GOLD
		テール部 金めっき : 0.05 micro-meter MIN. TAIL AREA GOLD
③	ネイル NAIL	銅合金 COPPER ALLOY
		錫めっき : 1.0 micro-meter MIN. MATTE TIN
		ニッケルめっき(下地) : 1.0 micro-meter MIN. NICKEL (UNDER PLATING)

RELEASE STATUS P1 RELEASE DATE 15.11.2016 05:07:40

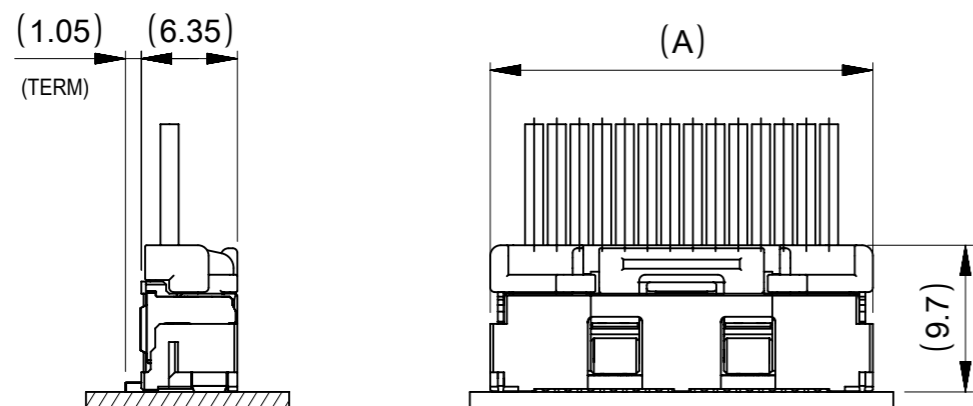
THIS DRAWING CONTAINS INFORMATION THAT IS PROPRIETARY TO MOLEX ELECTRONIC TECHNOLOGIES, LLC AND SHOULD NOT BE USED WITHOUT WRITTEN PERMISSION

REDRAWN EC NO: 110246 DRWN: TAKAIKE CHK'D: KOMURAKAMI APPR: TKANEKO	2016/11/14	GENERAL TOLERANCES (UNLESS SPECIFIED)	DIMENSION UNITS	SCALE	 CLIK-MATE 1.5 W/B SINGLE ROW ST SMT PLUG ASSY
	2016/11/15	ANGULAR TOL ± 1.0 °	MM	4:1	
	2016/11/15	4 PLACES ±	DRWN BY	DATE	
		3 PLACES ±	RWATANABE01	2016/11/02	
		2 PLACES ± 0.2	CHK'D BY	DATE	
	1 PLACE ± 0.2	KOMURAKAMI	2016/11/08		
	0 PLACES ± 0.2	APPR BY	DATE		
		TKANEKO	2016/11/09		
		DRAWING SIZE	THIRD ANGLE PROJECTION		
		A3			
		DRAFT WHERE APPLICABLE MUST REMAIN WITHIN DIMENSIONS			

SERIES	MATERIAL NUMBER	CUSTOMER
505495		GENERAL
DOCUMENT NUMBER	DOC TYPE	DOC PART
5054951000	PSD	002
SHEET NUMBER		1 OF 2



基板パターンレイアウト (参考)  
RECOMMENDED P.C.B PATTERN LAYOUT (REF.)



嵌合図  
MATED CONNECTORES  
SCALE 2:1

NOTES

1. 嵌合相手 : 502578シリーズ  
MATE WITH : 502578 SERIES
2. 端子テール部及びネイルの平坦度 : 0.1 MAX.  
TAIL AND NAIL COPLANARITY TO BE 0.1 MAX.
- △3 極数 / 2 = 偶数に適用  
APPLY FOR CIRCUIT SIZE / 2 = EVEN
4. 端子テール部及びネイルに錫めっきを使用している為、  
外観に摺動痕が付く場合があります。  
THE WOUND OF FRICTION MIGHT ADHERE TO EXTERNALS  
BECAUSE THE TIN PLATING IS USED FOR THE TAIL AND NAIL.
5. オーダー番号と色、極数の関係  
RELATION ORDER NUMBER AND COLOR, CKT.

505495\*\*6\*

極数  
CIRCUIT SIZE

色  
COLOR

No.	COLOR
0	ベージュ BEIGE

6. ELV及びRoHS適合品  
ELV AND RoHS COMPLIANT

THIS DRAWING CONTAINS INFORMATION THAT IS PROPRIETARY TO MOLEX ELECTRONIC TECHNOLOGIES, LLC AND SHOULD NOT BE USED WITHOUT WRITTEN PERMISSION

REDRAWN EC NO: 110246 DRWN: TAKAIKE CHK'D: KOMURAKAMI APPR: TKANEKO 2016/11/14 2016/11/15 2016/11/15	GENERAL TOLERANCES (UNLESS SPECIFIED)		DIMENSION UNITS	SCALE					
	ANGULAR TOL ± 1.0 °		MM	4:1					
	4 PLACES ±	RWATANABE01		DATE		CLIK-MATE 1.5 W/B SINGLE ROW ST SMT PLUG ASSY			
	3 PLACES ±	KOMURAKAMI		2016/11/08					
	2 PLACES ± 0.2	TKANEKO		DATE		PRODUCT CUSTOMER DRAWING			
1 PLACE ± 0.2	2016/11/09		DATE						
0 PLACES ± 0.2	DRAWING SIZE		THIRD ANGLE PROJECTION		SERIES	MATERIAL NUMBER	CUSTOMER		
DRAFT WHERE APPLICABLE MUST REMAIN WITHIN DIMENSIONS		A3			505495		GENERAL		
				DOCUMENT NUMBER		DOC TYPE	DOC PART	SHEET NUMBER	
				5054951000		PSD	002	2 OF 2	