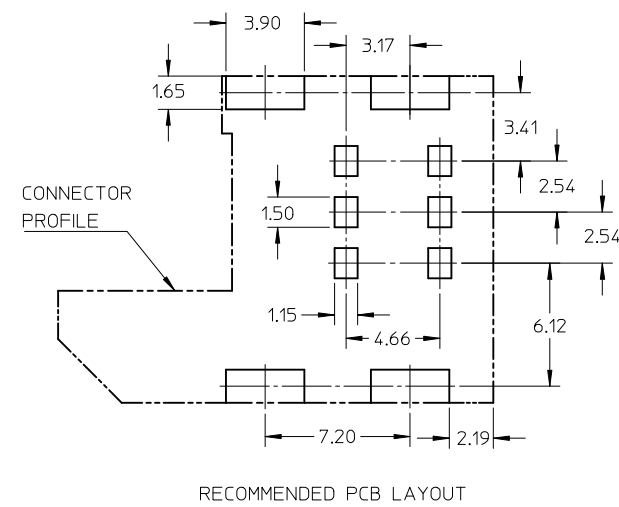
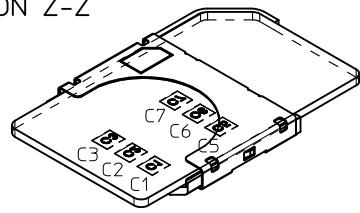


SECTION Z-Z

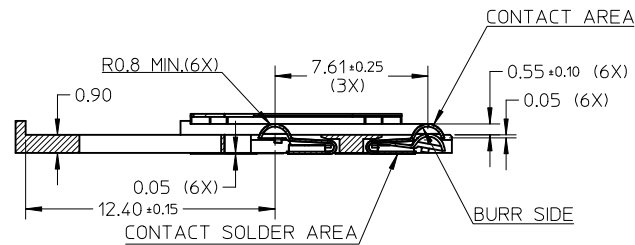
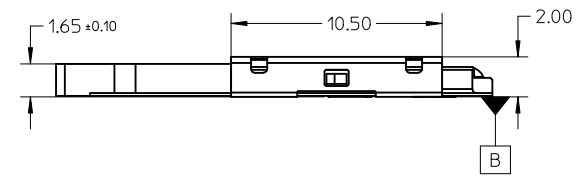
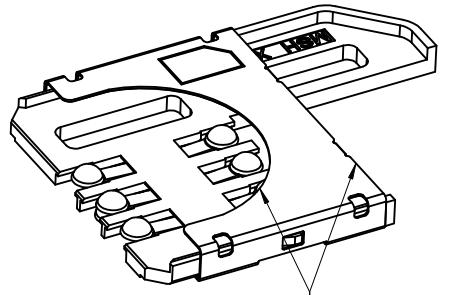
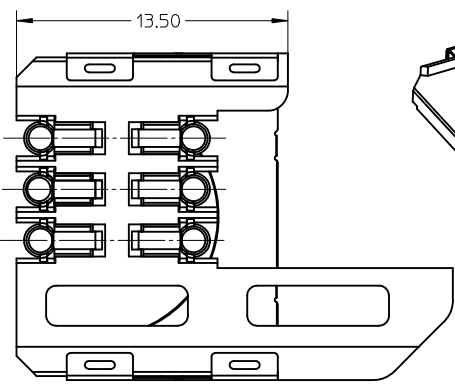
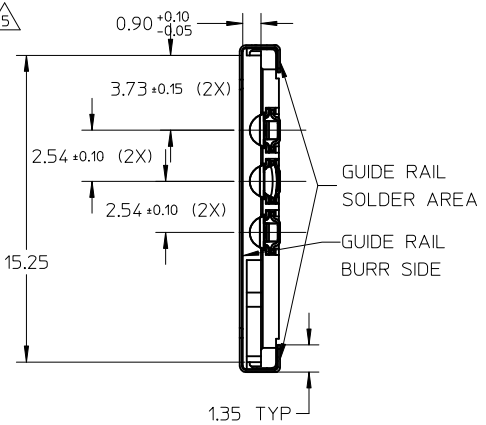
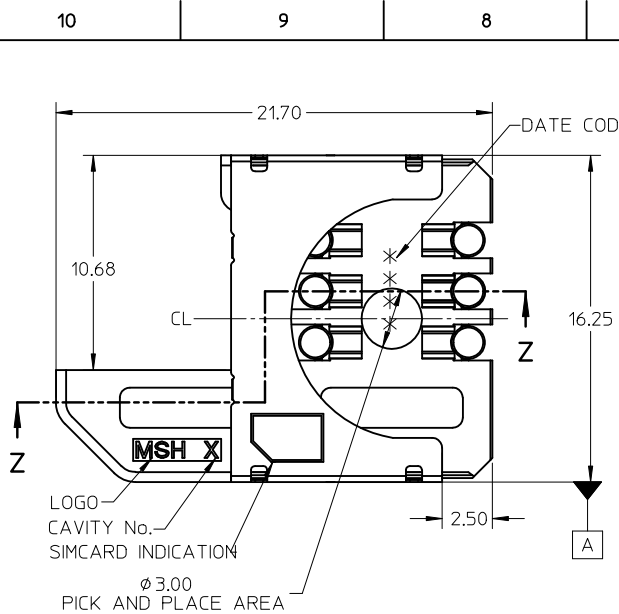


NOTE:

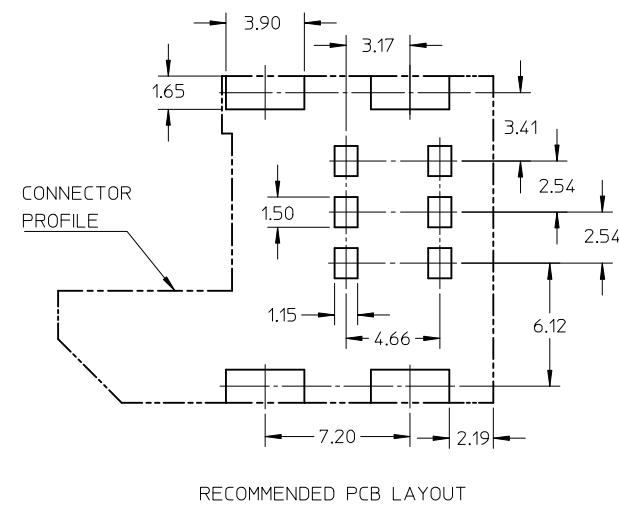
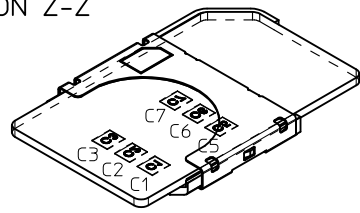
- 1.MATERIAL:
HOUSING:LCP,45% GLASS-FILLED,UL 94V-0,COLOR IS BLACK.
TERMINAL:BeCu C17200(290) TM06,THICKNESS IS 0.12mm.
SHELL:STAINLESS STEEL,THICKNESS IS 0.15mm.
- 2.FINISH:
TERMINAL:
CONTACT AREA:SELECTIVE 0.75 TO 1.25 MICRON GOLD .
SOLDER TAIL:0.05 TO 0.125 MICRON GOLD FLASH.
UNDERPLATING ALL OVER 1.25 TO 3.75 MICRON NICKEL.
GUIDE RAIL:
SELECTIVE 0.05 TO 0.125 MICRON GOLD FLASH OVER
1.25 TO 3.75 MICRON NICKEL ON SOLDER TAIL AREA.
- 3.COPLANARITY:0.1MM MAX. AMONG THESE TERMINAL SOLDER TAILS.
- 4.PRODUCT SPECIFICATION:PS-47468-001.
- △,DATE CODE(4 DIGITS)

***	***	***	***	EXAMPLE
				2006/01/15 → 6015
				2006/02/10 → 6041
				2007/03/10 → 7069
- 6.THE PART 474680001 COMPLIANT TO RoHS DIRECTIVE 2002/95/EC AND ELV 2000/53/EC.

ADD VIEW EC NO: S2011-1013 DRW:KHLIM CHK:DFCS00 APPR:SKTOH REV	DESCRIPTION 2011/06/01 2011/06/13 2011/07/07	QUALITY SYMBOLS $F_A=0$ $F_C=0$ $F_P=0$	GENERAL TOLERANCES (UNLESS SPECIFIED)		DIMENSION STYLE MM ONLY	SCALE NTS	DESIGN UNITS METRIC	THIRD ANGLE PROJECTION		
			mm	INCH	DRAWN BY BWAN	DATE 2006/04/26	TITLE LOW PROFILE 2.0 SIM CONN WITH GUIDE RAIL			
			4 PLACES ± --- ± ---	3 PLACES ± --- ± ---	CHECKED BY XIXU	DATE 2006/04/26				
			ANGULAR ± 1 °		2 PLACES ± 0.13 ± ---	1 PLACE ± --- ± ---	APPROVED BY JNCHEN	DATE 2006/04/26	MOLEX INCORPORATED	
DRAFT WHERE APPLICABLE MUST REMAIN WITHIN DIMENSIONS					MATERIAL NO. 47468-0001	DOCUMENT NO. SD-47468-001	SHEET NO. 1 OF 1	THIS DRAWING CONTAINS INFORMATION THAT IS PROPRIETARY TO MOLEX INCORPORATED AND SHOULD NOT BE USED WITHOUT WRITTEN PERMISSION		



SECTION Z-Z



NOTE:

- 1.MATERIAL:
HOUSING:LCP,45% GLASS-FILLED,UL 94V-0,COLOR IS BLACK.
TERMINAL:BeCu C17200(290) TM06,THICKNESS IS 0.12mm.
SHELL:STAINLESS STEEL,THICKNESS IS 0.15mm.
- 2.FINISH:
TERMINAL:
CONTACT AREA:SELECTIVE 0.75 TO 1.25 MICRON GOLD .
SOLDER TAIL:0.05 TO 0.125 MICRON GOLD FLASH.
UNDERPLATING ALL OVER 1.25 TO 3.75 MICRON NICKEL.
- GUIDE RAIL:
SELECTIVE 0.05 TO 0.125 MICRON GOLD FLASH OVER
1.25 TO 3.75 MICRON NICKEL ON SOLDER TAIL AREA.
- 3.COPLANARITY:0.1MM MAX. AMONG THESE TERMINAL SOLDER TAILS.
- 4.PRODUCT SPECIFICATION:PS-47468-001.

DATE CODE(4 DIGITS)



6.THE PART 474680001 COMPLIANT TO RoHS DIRECTIVE 2002/95/EC AND ELV 2000/53/EC.

ADD VIEW EC NO: S2011-1013 DRW:KHLIM CHK:DPCSOO APPR:SKTOH 2011/06/01 2011/06/13 2011/07/07	QUALITY SYMBOLS $F_A=0$ $F_B=0$ $F_C=0$	GENERAL TOLERANCES (UNLESS SPECIFIED)		DIMENSION STYLE MM ONLY	SCALE NTS	DESIGN UNITS METRIC	THIRD ANGLE PROJECTION														
		<table border="1"> <tr> <th></th> <th>mm</th> <th>INCH</th> </tr> <tr> <td>4 PLACES</td> <td>± ---</td> <td>± ---</td> </tr> <tr> <td>3 PLACES</td> <td>± ---</td> <td>± ---</td> </tr> <tr> <td>2 PLACES</td> <td>± 0.13</td> <td>± ---</td> </tr> <tr> <td>1 PLACE</td> <td>± ---</td> <td>± ---</td> </tr> </table>		mm	INCH	4 PLACES	± ---	± ---	3 PLACES	± ---	± ---	2 PLACES	± 0.13	± ---	1 PLACE	± ---	± ---	DRAWN BY BWAN	DATE 2006/04/26	TITLE LOW PROFILE 2.0 SIM CONN WITH GUIDE RAIL	
			mm	INCH																	
		4 PLACES	± ---	± ---																	
3 PLACES	± ---	± ---																			
2 PLACES	± 0.13	± ---																			
1 PLACE	± ---	± ---																			
DRAFT WHERE APPLICABLE MUST REMAIN WITHIN DIMENSIONS	APPROVED BY JNCHEN	DATE 2006/04/26	MATERIAL NO. 47468-0001		DOCUMENT NO. SD-47468-001	SHEET NO. 1 OF 1															
B1	REV	THIS DRAWING CONTAINS INFORMATION THAT IS PROPRIETARY TO MOLEX INCORPORATED AND SHOULD NOT BE USED WITHOUT WRITTEN PERMISSION																			