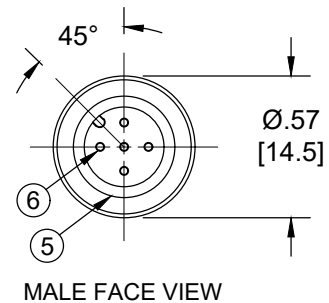
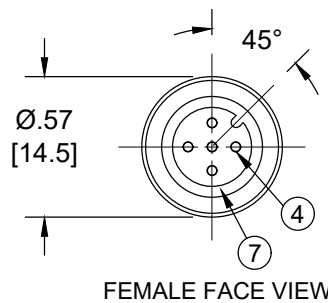
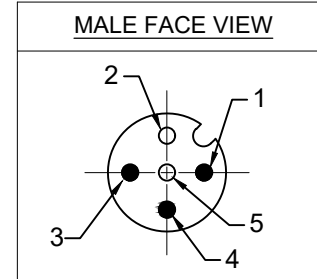
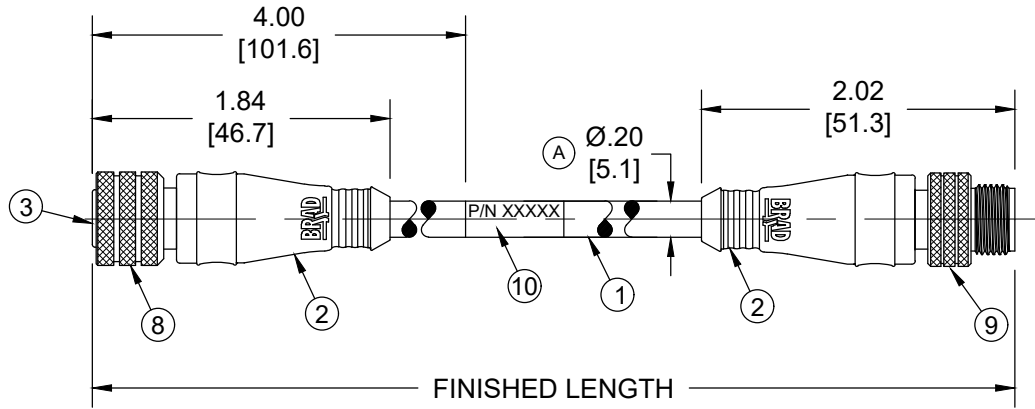
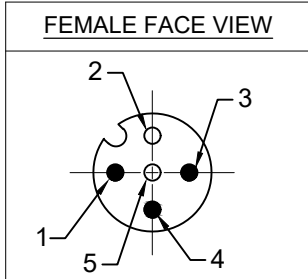
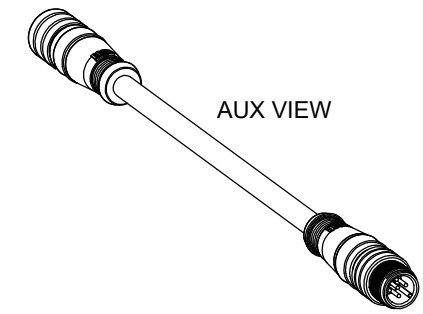


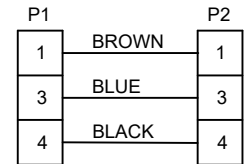
MATERIAL NO.	ENGINEERING NO.	FINISHED LENGTH
1200660162	883030A09M003	0.3M [1FT]
1200660188	883030A09M100	10M [32FT 10 IN]
1200661606	883030A09M250	25M [82FT]



- NOTES:
- MATERIAL: AS NOTED
 - FINISH: AS NOTED
 - ELECTRICAL:
VOLTAGE: 250 VAC/VDC
CURRENT: 4A
 - TEMP RATING: -20°TO +105°C
 - PROTECTION: IP67 (WHEN MATED)
 - COUPLING THREAD: M12X1
 - UL RECOGNIZED FILE: E152210
CSA CERTIFIED FILE: LR6837
 - ALL DIMENSIONS ARE FOR REFERENCE UNLESS TOLERANCED OR NOTED OTHERWISE

PART NO. MATRIX
883030A09M003

FINISHED LENGTH
M005 = 0.5 METER
M010 = 1 METER
M100 = 10 METER



CABLE LENGTH TOLERANCES

<.3M [1FT]:	+19mm-0 [+.75in-0]
.3 - .9M [1 - 3FT]:	+44.5mm-0 [+1.75in-0]
.9 - 1.8M [3 - 6FT]:	+55.6mm-0 [+2.19in-0]
1.8 - 3.7M [6 - 12FT]:	+88.9mm-0 [+3.50in-0]
3.7 - 7.3M [12 - 24FT]:	+165.1mm-0 [+6.50in-0]
7.3-14.6M [24 - 48FT]:	+317.5mm-0 [+12.50in-0]
14.6 - 30.5M [48-100FT]:	+622.3mm-0 [+24.50in-0]
OVER 30M [100FT]:	+2% OF FINISHED LENGTH

ITEM	DESCRIPTION	MATERIAL	FINISH
10	WRAP LABEL	VINYL	BLACK/YELLOW
9	MALE COUPLING NUT	BRASS	NICKEL PLATED
8	FEMALE COUPLING NUT	BRASS	NICKEL PLATED
7	O-RING	VITON	RED
6	PIN CONTACT	COPPER ALLOY	GOLD OVER NICKEL
5	MALE INSERT	PUR	BLACK
4	SOCKET CONTACT	COPPER ALLOY	GOLD OVER NICKEL
3	FEMALE INSERT	PUR	BLACK
2	OVERMOLD	PUR	YELLOW
1	#22/5 CABLE	PVC JACKET	YELLOW
ITEM	DESCRIPTION	MATERIAL	FINISH

FUNCTIONAL SYMBOLS										THIS DRAWING CONTAINS INFORMATION THAT IS PROPRIETARY TO MOLEX ELECTRONIC TECHNOLOGIES, LLC AND SHOULD NOT BE USED WITHOUT WRITTEN PERMISSION																													
DIMENSION UNITS					SCALE					CURRENT REV DESC: ITEM 3 & 5 WERE NYLON & ITEM #10 WAS MYLAR. ADDED UL & CSA IN NOTES. ADDED CABLE DIA & TOL CHART. MODIFIED PN TABLE																													
INCH/MM					NTS					GENERAL TOLERANCES (UNLESS SPECIFIED)																													
					mm					INCH					EC NO: 669893																								
4 PLACES ±----					±----					±----					DRWN: ABENJAMINLW 2021/02/26																								
3 PLACES ±----					±----					±----					CHK'D: RSTONE 2021/07/12																								
2 PLACES ±----					±----					±----					APPR: BWOODMAN 2021/07/14																								
1 PLACE ±----					±----					±----					INITIAL REVISION:																								
0 PLACES ±----					±----					±----					DRWN: LSTEMMLE 2010/01/25																								
ANGULAR TOL ± ---- °					± ---- °					± ---- °					APPR: NSTAUDIG 2010/01/29																								
DRAFT WHERE APPLICABLE MUST REMAIN WITHIN DIMENSIONS										THIRD ANGLE PROJECTION					DRAWING					SERIES					MATERIAL NUMBER					CUSTOMER					SHEET NUMBER				
										A-SIZE					120066					SEE CHART					GENERAL MARKET					1 OF 1									

molex

MICRO-CHANGE CORDSET, M12,
3 POLE, FEMALE-MALE, STRAIGHT,
SINGLE KEY, #22/5 AWG

PRODUCT CUSTOMER DRAWING

DOCUMENT NUMBER: SD-120066-010
DOC TYPE: PSD
DOC PART: 001
REVISION: A

DOCUMENT STATUS	P1	RELEASE DATE	2021/07/14	21:16:11
-----------------	----	--------------	------------	----------