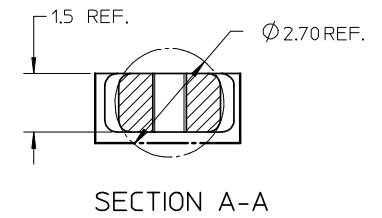
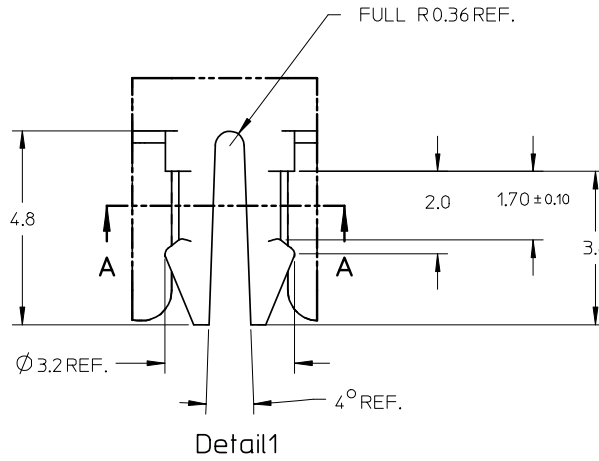
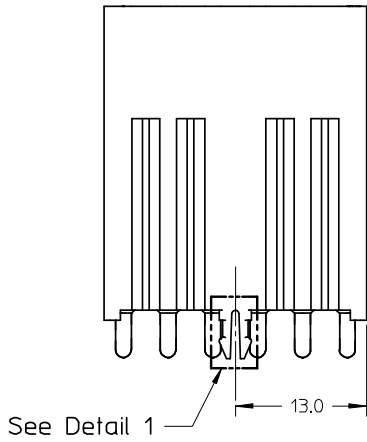


NOTES:

1. PLASTIC MATERIAL: PBT, GLASS-FILLED, UL94 HB; COLOR: BLACK
2. PIN MATERIAL: BRASS, C26000, 3/4 HARD
3. PLATING: 40 TO 150 MICRO-INCH COPPER  
120 TO 200 MICRO-INCH NICKEL  
120 TO 400 MICRO-INCH TIN.
4. PIN FINISH: 32 SURFACE FINISH FULL FINISHED RADIUS ON ENDS OF PINS
5. PRODUCT SPECIFICATION NUMBER: PS-87789-005

OBS. TIN/LEAD P/N EC NO: S2008-1059 DRWNS:KANG 2008/06/04 CHKD:ATSEE 2008/06/18 APPR:MLONG 2008/06/18	REV	DESCRIPTION	QUALITY SYMBOLS ▽=0 C=0	GENERAL TOLERANCES (UNLESS SPECIFIED)		DIMENSION STYLE MM ONLY		SCALE NTS	DESIGN UNITS METRIC	THIRD ANGLE PROJECTION				
					mm	INCH	DRAWN BY SHONG	DATE 2003/03/06	TITLE HEADER, 12 POS. CONNECTOR, R/A, T/H					
				4 PLACES	± ---	± ---	CHECKED BY NAGESHKN	DATE 2003/03/12	MATERIAL NO. 87789-0011					
				3 PLACES	± ---	± ---	APPROVED BY KCL ING	DATE 2003/03/12						
				2 PLACES	± 0.15	± ---	SHEET NO. 1 OF 2							
				1 PLACE	± 0.35	± ---	THIS DRAWING CONTAINS INFORMATION THAT IS PROPRIETARY TO MOLEX INCORPORATED AND SHOULD NOT BE USED WITHOUT WRITTEN PERMISSION							
				ANGULAR ± 3 °		DRAFT WHERE APPLICABLE MUST REMAIN WITHIN DIMENSIONS								



OBS TIN/LEAD P/N EC NO: S2008-1059 DRWN:SKANG 2008/06/04 CHKD:ATSEE 2008/06/18 APPR:MLONG 2008/06/18	QUALITY SYMBOLS ▽=0 ◻=0	GENERAL TOLERANCES (UNLESS SPECIFIED)		DIMENSION STYLE	SCALE	DESIGN UNITS	THIRD ANGLE PROJECTION			
			mm	INCH	MM ONLY	NTS	METRIC			
		4 PLACES	± ---	± ---	DRAWN BY	DATE	TITLE			
		3 PLACES	± ---	± ---	SHONG	2003/03/06	HEADER, 12 POS. CONNECTOR, R/A, T/H			
	2 PLACES	± 0.15	± ---	CHECKED BY	DATE	MOLEX INCORPORATED				
	1 PLACE	± 0.35	± ---	NAGESHKN	2003/03/12					
	ANGULAR ± 3 °		APPROVED BY	DATE	DOCUMENT NO.					
			KCL ING	2003/03/12						
	DRAFT WHERE APPLICABLE MUST REMAIN WITHIN DIMENSIONS			MATERIAL NO.	SHEET NO.					
				87789-0011	SD-87789-001		2 OF 2			
				SIZE A3	THIS DRAWING CONTAINS INFORMATION THAT IS PROPRIETARY TO MOLEX INCORPORATED AND SHOULD NOT BE USED WITHOUT WRITTEN PERMISSION					