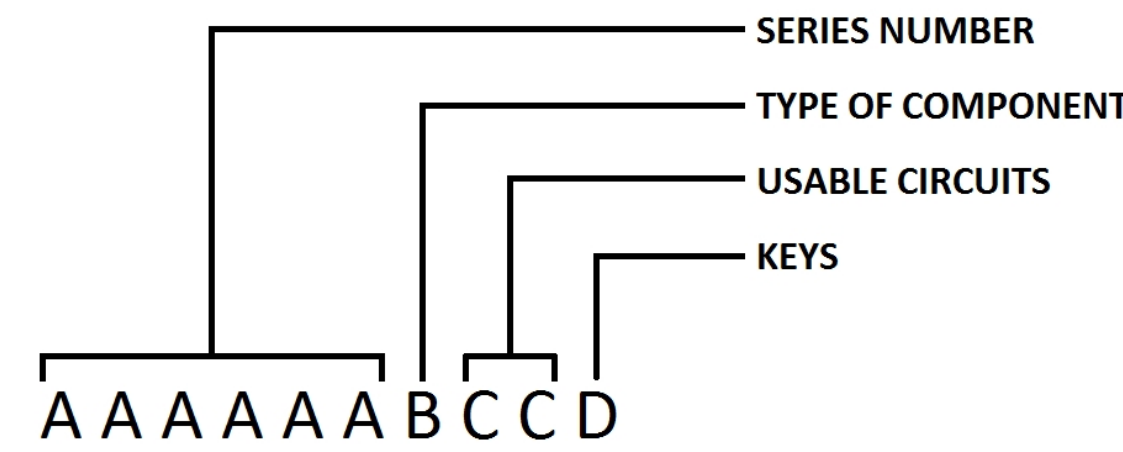


CONNTAK50 DUAL ROW RIGHT ANGLE SMT HEADERS

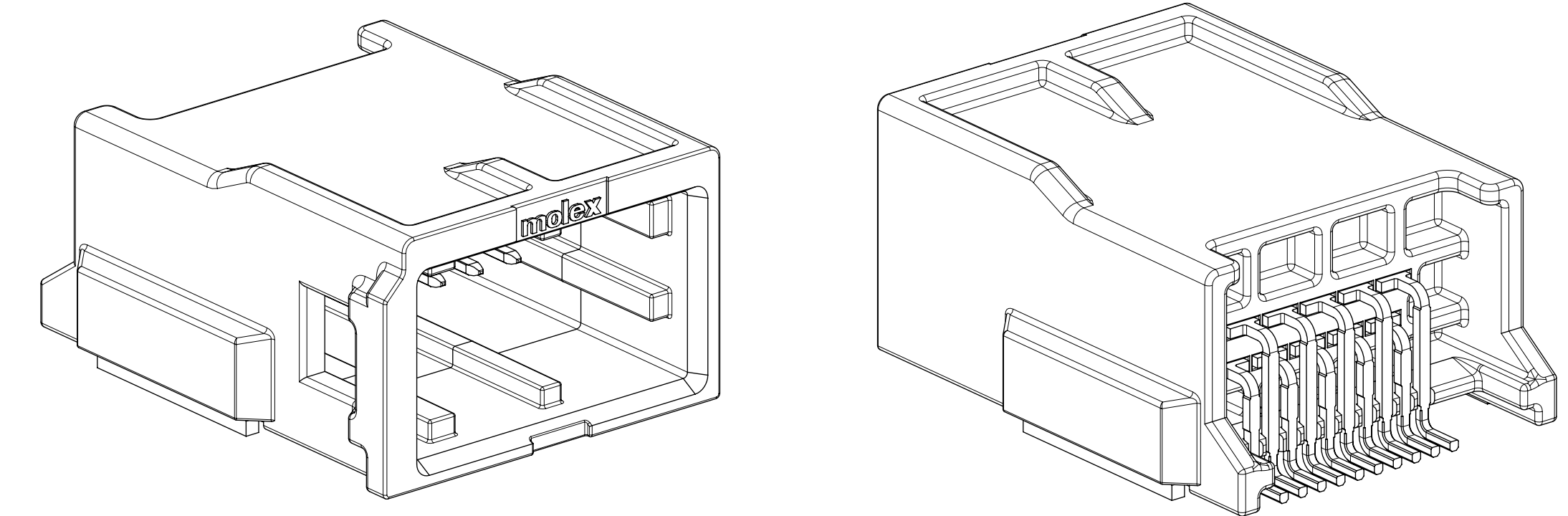
10CKT HEADER:



PART NUMBER EXAMPLE:

PN 2069582101
 206958 - SERIES NUMBER: DUAL ROW RIGHT ANGLE SMT HEADER - STANDARD PERF
 2 - TYPE OF COMPONENT: STANDARD MATERIAL; FULLY POPULATED
 10 - 10 USABLE CIRCUITS
 1 - KEY A

FINAL PART: 10CKT DUAL ROW RIGHT ANGLE FULLY POPULATED STANDARD PERFORMANCE & MATERIAL SMT HEADER - KEY A



	SERIES NUMBERS (AAAAAA)	TYPE OF COMPONENT (B)	USABLE CIRCUITS (CC)	KEY (D)
MATING COMPONENT	205825 - DR TANG RECEPTACLE	2 - STD MATL; FULLY POPULATED	02 - 2 Circuits	1 - KEY A
	205826 - DR TANG RECEPTACLE WITH CPA	3 - V0 MATL; FULLY POPULATED	...	2 - KEY B
ON DRAWING	206958 - DR RIGHT ANGLE SMT HEADER - STANDARD PERF.	4 - STD MATL; LAST 2 CKTS UNPOPULATED / UNUSABLE	...	3 - KEY C
OTHER	206957 - DR VERTICAL SMT HEADER - STANDARD PERF.	5 - V0 MATL; LAST 2 CKTS UNPOPULATED / UNUSABLE	22 - 22 Circuits	4 - KEY D

INTERFACE	INTERFACE CKT SIZE	DIM A	DIM B	DIM C	DIM D	DIM E	DIM F	DIM G	POL	COLOR	STANDARD MATERIAL SMT HEADER		STATUS		
											FULLY POPULATED PART NUMBER	USABLE CKTS		2CKTS UNPOPULATED PART NUMBER	USABLE CKTS
	10	17.10	15.10	2.90	7.51	3.35	8.15	3.35	A	BLACK	2069582101	10	2069584081	8	AVAILABLE
									B	NATURAL	2069582102	10	2069584082	8	
									C	BLUE	2069582103	10	2069584083	8	
									D	VIOLET	2069582104	10	2069584084	8	
PERFORMANCE MARK: S															

INTERFACE	INTERFACE CKT SIZE	DIM A	DIM B	DIM C	DIM D	DIM E	DIM F	DIM G	POL	COLOR	V0 MATERIAL SMT HEADER		STATUS		
											FULLY POPULATED PART NUMBER	USABLE CKTS		2CKTS UNPOPULATED PART NUMBER	USABLE CKTS
	4	11.70	9.70	0.20	4.81	0.65	5.45	0.65	A	BLACK	2069583041	4	2069585021	2	INQUIRE FOR AVAILABILITY
									B	NATURAL	2069583042	4	2069585022	2	
									C	BLUE	2069583043	4	2069585023	2	
									D	VIOLET	2069583044	4	2069585024	2	
	6	13.50	11.50	1.10	5.71	1.55	6.35	1.55	A	BLACK	2069583061	6	2069585041	4	INQUIRE FOR AVAILABILITY
									B	NATURAL	2069583062	6	2069585042	4	
									C	BLUE	2069583063	6	2069585043	4	
									D	VIOLET	2069583064	6	2069585044	4	
	8	15.30	13.30	2.00	6.61	2.45	7.25	2.45	A	BLACK	2069583081	8	2069585061	6	INQUIRE FOR AVAILABILITY
									B	NATURAL	2069583082	8	2069585062	6	
									C	BLUE	2069583083	8	2069585063	6	
									D	VIOLET	2069583084	8	2069585064	6	
	10	17.10	15.10	2.90	7.51	3.35	8.15	3.35	A	BLACK	2069583101	10	2069585081	8	INQUIRE FOR AVAILABILITY
									B	NATURAL	2069583102	10	2069585082	8	
									C	BLUE	2069583103	10	2069585083	8	
									D	VIOLET	2069583104	10	2069585084	8	
	12	18.90	16.90	3.80	8.41	4.25	9.05	4.25	A	BLACK	2069583121	12	2069585101	10	INQUIRE FOR AVAILABILITY
									B	NATURAL	2069583122	12	2069585102	10	
									C	BLUE	2069583123	12	2069585103	10	
									D	VIOLET	2069583124	12	2069585104	10	
	14	20.70	18.70	4.70	9.31	5.15	9.95	5.15	A	BLACK	2069583141	14	2069585121	12	INQUIRE FOR AVAILABILITY
									B	NATURAL	2069583142	14	2069585122	12	
									C	BLUE	2069583143	14	2069585123	12	
									D	VIOLET	2069583144	14	2069585124	12	
	16	22.50	20.50	5.60	10.21	6.05	10.85	6.05	A	BLACK	2069583161	16	2069585141	14	INQUIRE FOR AVAILABILITY
									B	NATURAL	2069583162	16	2069585142	14	
									C	BLUE	2069583163	16	2069585143	14	
									D	VIOLET	2069583164	16	2069585144	14	
	18	24.30	22.30	6.50	11.11	6.95	11.75	6.95	A	BLACK	2069583181	18	2069585161	16	INQUIRE FOR AVAILABILITY
									B	NATURAL	2069583182	18	2069585162	16	
									C	BLUE	2069583183	18	2069585163	16	
									D	VIOLET	2069583184	18	2069585164	16	
	20	26.10	24.10	7.40	12.01	7.85	12.65	7.85	A	BLACK	2069583201	20	2069585181	18	INQUIRE FOR AVAILABILITY
									B	NATURAL	2069583202	20	2069585182	18	
									C	BLUE	2069583203	20	2069585183	18	
									D	VIOLET	2069583204	20	2069585184	18	
	22	27.90	25.90	8.30	12.91	8.75	13.55	8.75	A	BLACK	2069583221	22	2069585201	20	AVAILABLE
									B	NATURAL	2069583222	22	2069585202	20	
									C	BLUE	2069583223	22	2069585203	20	
									D	VIOLET	2069583224	22	2069585204	20	
PERFORMANCE MARK: S															

NOTES:

VALID UNLESS OTHERWISE SPECIFIED

- GENERAL:
 - APPLICATION SPECIFICATION SEE: 2046310000-AS
 - PRODUCT SPECIFICATION SEE: 2046310000-PS
 - PACKAGING SPECIFICATION PER MOLEX DRAWING: 2069579000
 - PACKAGING IS TAPE & REEL
 - COMPATIBLE WITH STANDARD AK INTERFACE C-114-94000-20 REV A1
 - CONFORMS TO MOLEX AK INTERFACE 2046310002 REV A
 - MOLEX AK INTERFACE IS PART OF PPAP
 - INDICATED CIRCUITS DO NOT CONTAIN PINS IN DEPOPULATED HEADER VERSION
 - TRACEABILITY TO BE MARKED IN AREA SHOWN. MARK IS CODED AS FOLLOWS:
 - ROW 1 (XXXXXX):
 - "XXXXXX" IS MOLEX SMT HEADER SERIES NUMBER
 - ROW 2 (YYYY PZ):
 - "YYYY" IS PART SUFFIX (LAST 4 DIGITS OF PART NUMBER)
 - "P" IS PERFORMANCE MARK. SEE PART TABLE FOR MARKING CODE
 - "Z" IS ASSEMBLY LINE ("1" INDICATES ORIGINAL LINE, "2" IS FIRST CAPACITY LINE, ETC.)
 - ROW 3 (HHDDDDYY):
 - 1ST & 2ND DIGITS (HH): HOUR OF ASSEMBLY (EXAMPLE: 15:00 > '15'; 7:00 -> '07')
 - 3RD THRU 5TH DIGITS (DDD): JULIAN DATE (EXAMPLE: FEBRUARY 3RD -> '034')
 - 6TH & 7TH DIGITS (YY): LAST 2 DIGITS OF CALENDAR YEAR (EXAMPLE: 2013 -> '13')
- DESIGN - MATERIALS:
 - SHROUD (PLASTIC HOUSING):
 - STANDARD MATERIAL HOUSINGS: SPS-GF30%
 - V0 MATERIAL HOUSINGS: PA9T-GF30%
 - PINS:
 - STANDARD PERFORMANCE PINS:
 - BASE MATERIAL: C26000 BRASS
 - UNDERPLATING (CONTACT REGION): NICKEL 0.5 - 2.0 µm
 - OVERPLATING (CONTACT REGION): MATTE TIN 1.0 - 3.0 µm
- DESIGN - GEOMETRY:
 - GEOMETRIC DIMENSIONS AND TOLERANCES PER ASME Y14.5M-2009

INSPECTION BALLOON LOG	
PER DRAWING REVISION: D3	
TOTAL BALLOONS: 14	D3 CORRECTED DIM C DIMENSIONS
ADDED BALLOON NUMBERS:	D2 UPDATED TOLERANCE ON DIM 5 FROM (+0.05/-0.10) TO (+0.05/-0.15).
REMOVED BALLOON NUMBERS:	D1 UPDATED: BOM TABLE TO SAY NATURAL FOR POL B
	D ADDED V0 MATERIAL PART NUMBERS; UPDATED NOTE 2.1
	REV DESCRIPTION
THIS DRAWING CONTAINS INFORMATION THAT IS PROPRIETARY TO MOLEX ELECTRONIC TECHNOLOGIES, LLC AND SHOULD NOT BE USED WITHOUT WRITTEN PERMISSION	
DIMENSION UNITS: mm	SCALE: 5:1
GENERAL TOLERANCES (UNLESS SPECIFIED):	CURRENT REV DESC:
ANGULAR TOL ± °	EC NO: 678858
4 PLACES ±	DRWN: ECOLARUSSO 2021/09/23
3 PLACES ±	CHK'D: KHEWITT 2021/09/28
2 PLACES ±	APPR: JDUNAJ 2021/09/28
1 PLACE ±	INITIAL REVISION:
0 PLACES ±	DRWN: KHEWITT 2018/02/06
	APPR: JDUNAJ 2018/03/05
DRAFT WHERE APPLICABLE MUST REMAIN WITHIN DIMENSIONS	THIRD ANGLE PROJECTION
	DRAWING: D-SIZE
	SERIES: 204632
	MATERIAL NUMBER: SEE TABLE
	CUSTOMER: GENERAL MARKET
	SHEET NUMBER: 1 OF 2

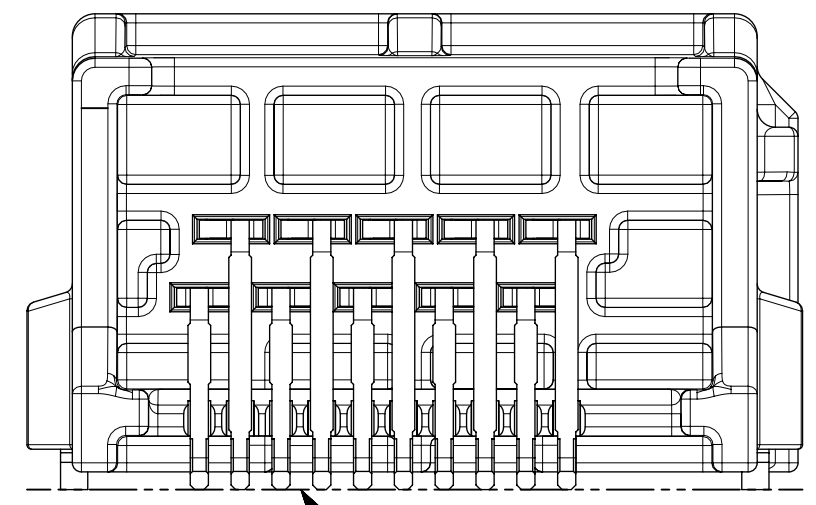


CONNTAK50 DR R/A SMT HEADER

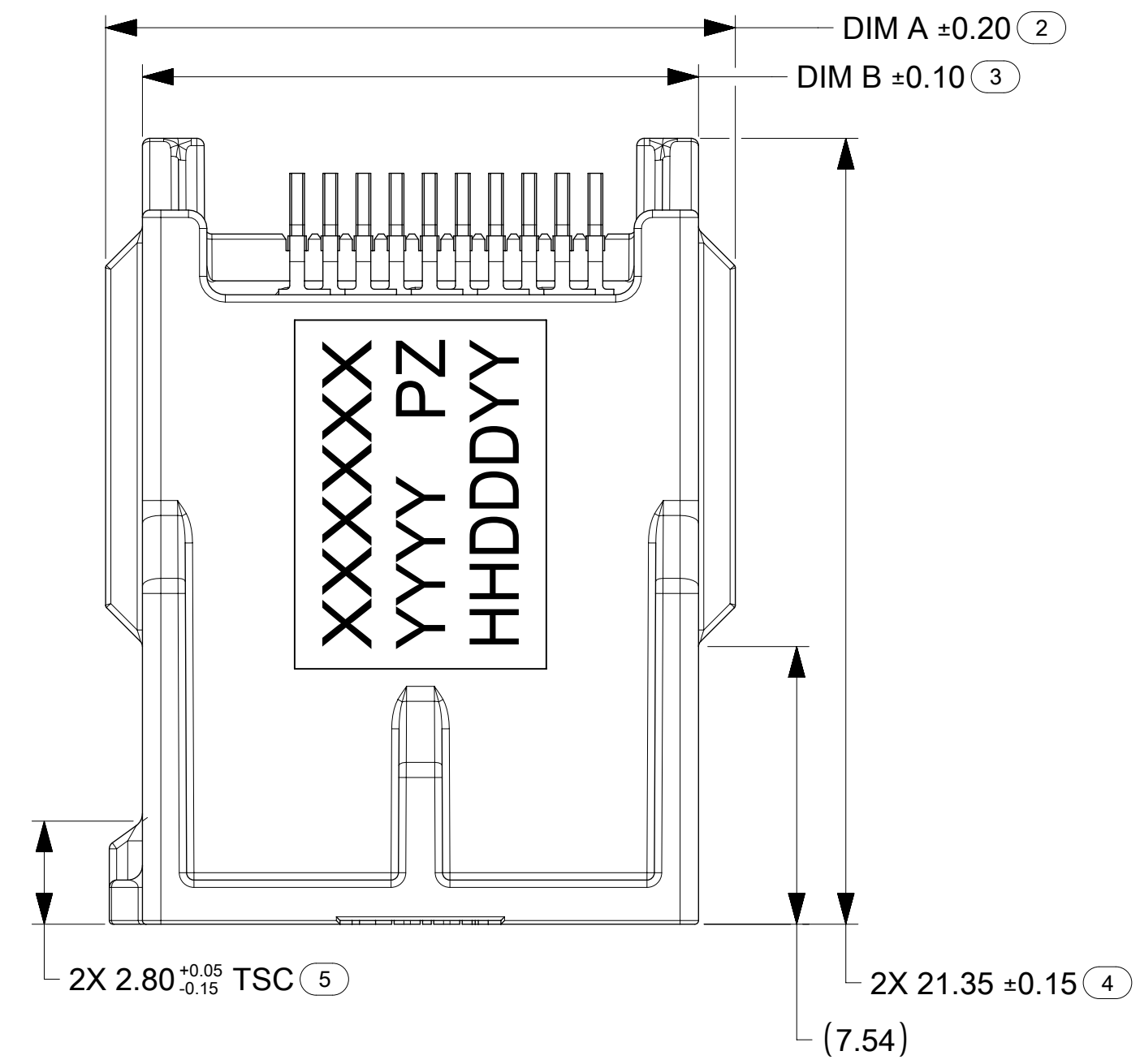
PRODUCT CUSTOMER DRAWING

DOCUMENT NUMBER	DOC TYPE	DOC PART	REVISION
2046320003	PSD	000	D3

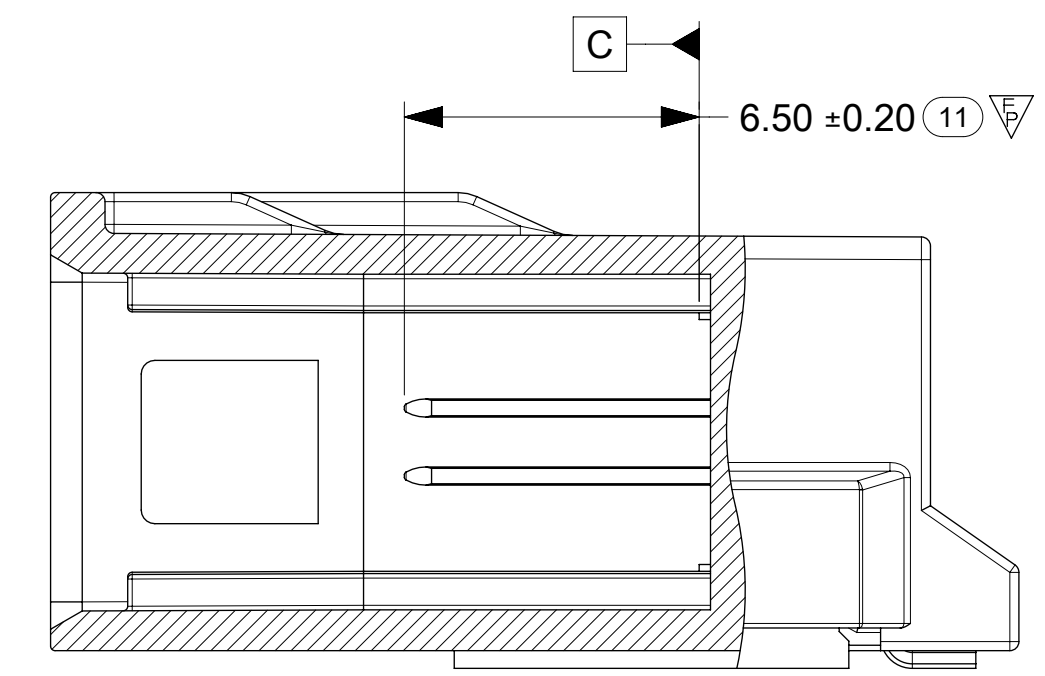
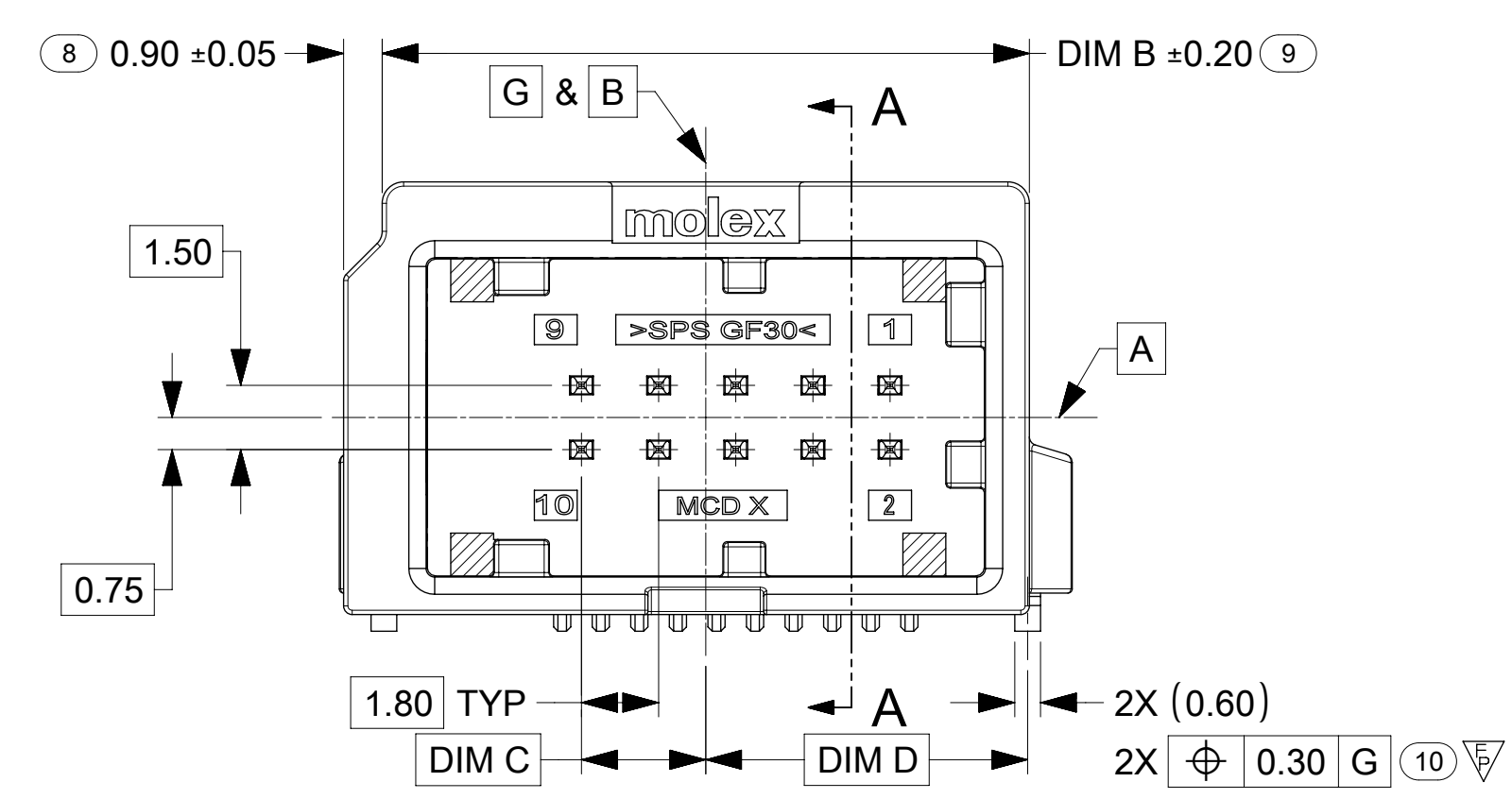
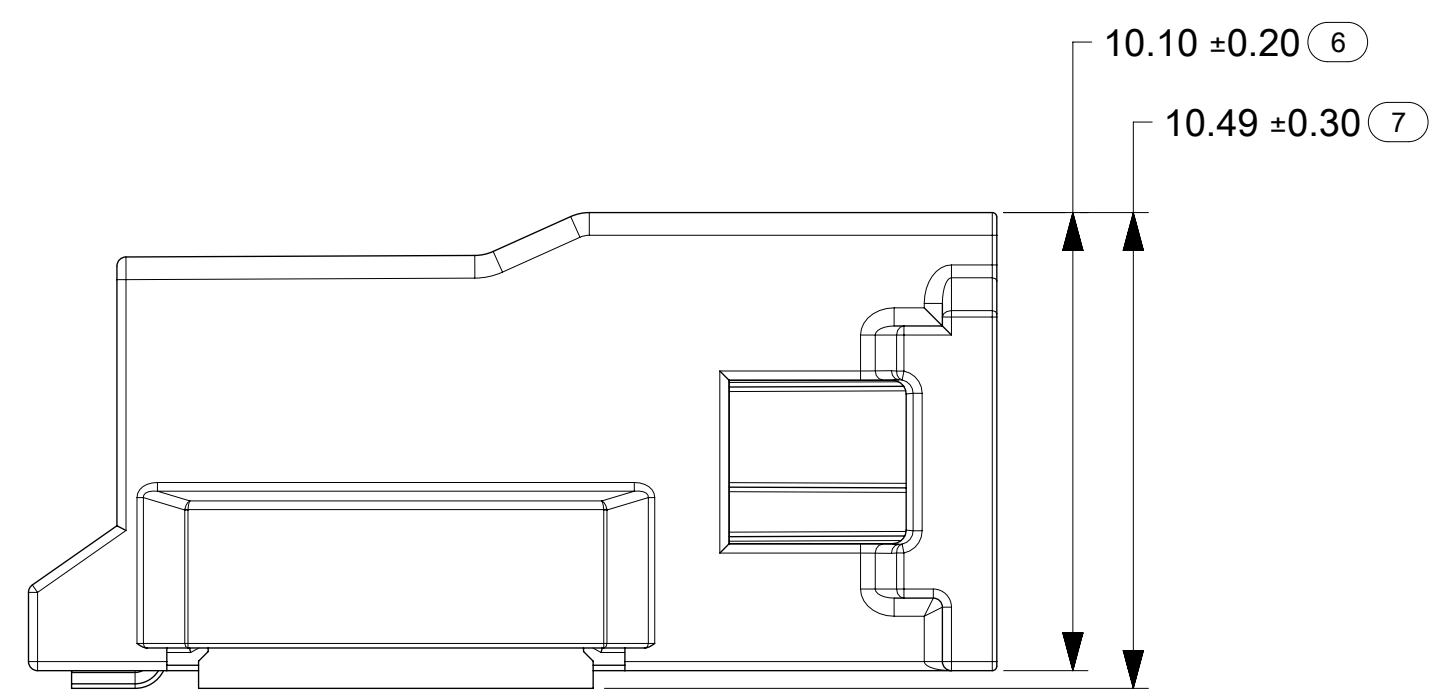
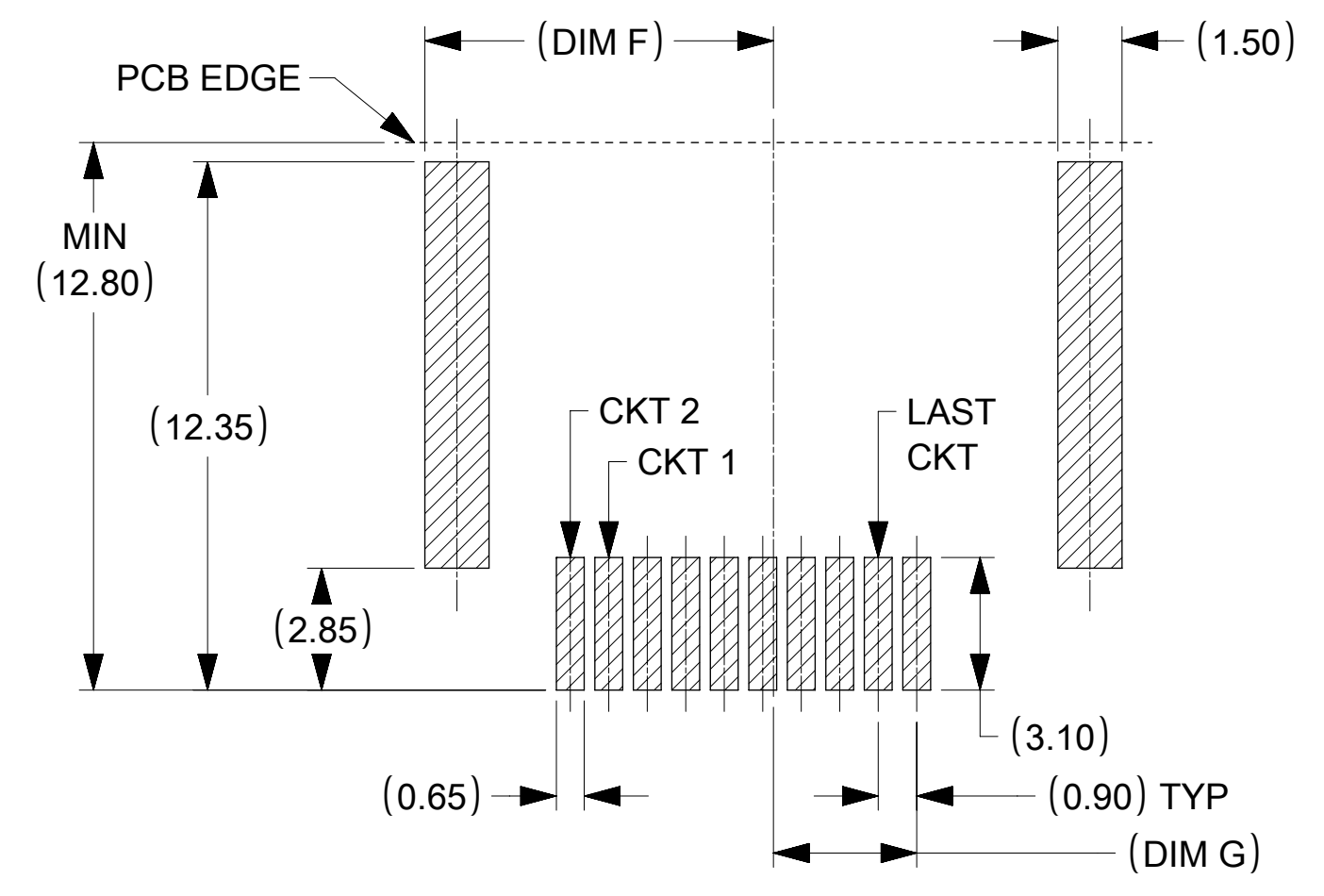
10CKT KEY A (2069582101) SHOWN EXCEPT WHERE NOTED
 REFER TO 2046310002 FOR INTERFACE DIMENSIONS



0.10 (1) TO ALL CONTACT SURFACES

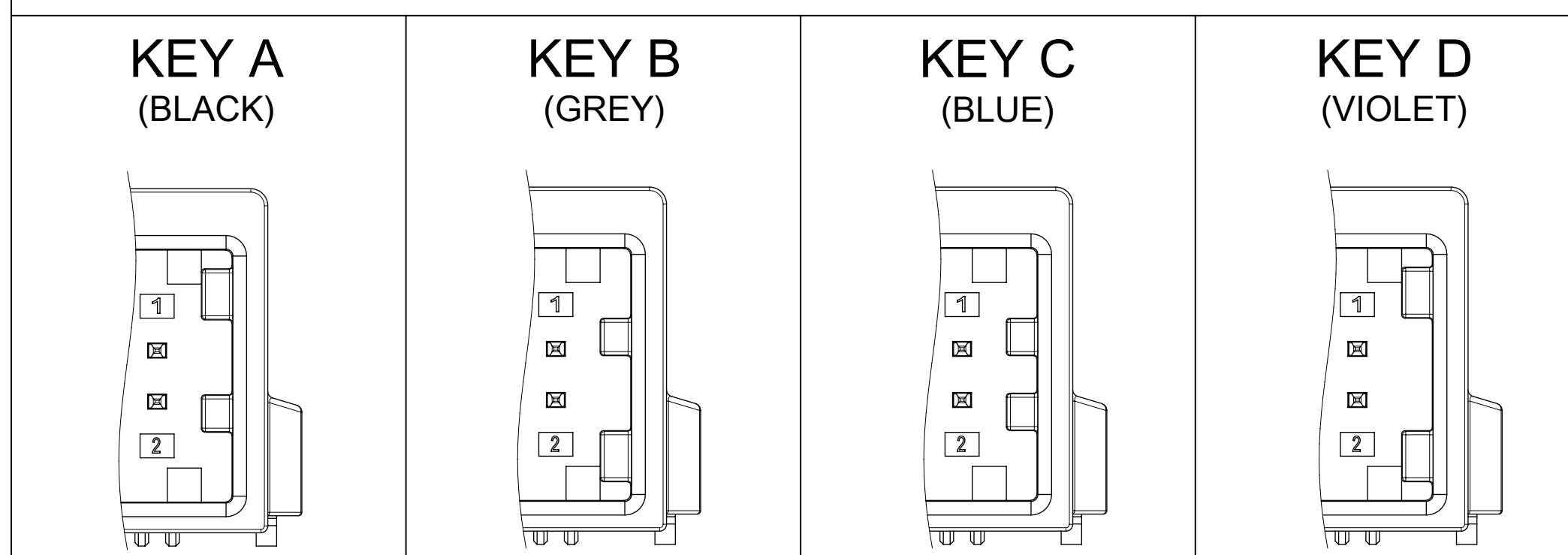


POSSIBLE PCB LAYOUT
 LAND PATTERN SHOWN AT MMC



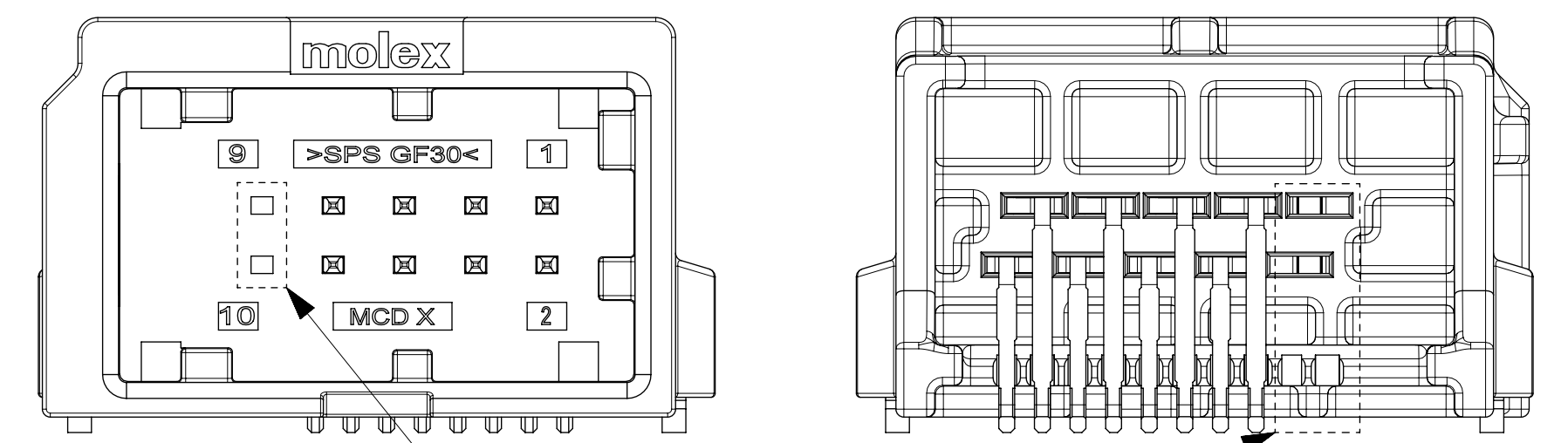
SECTION A-A

KEYING OPTIONS

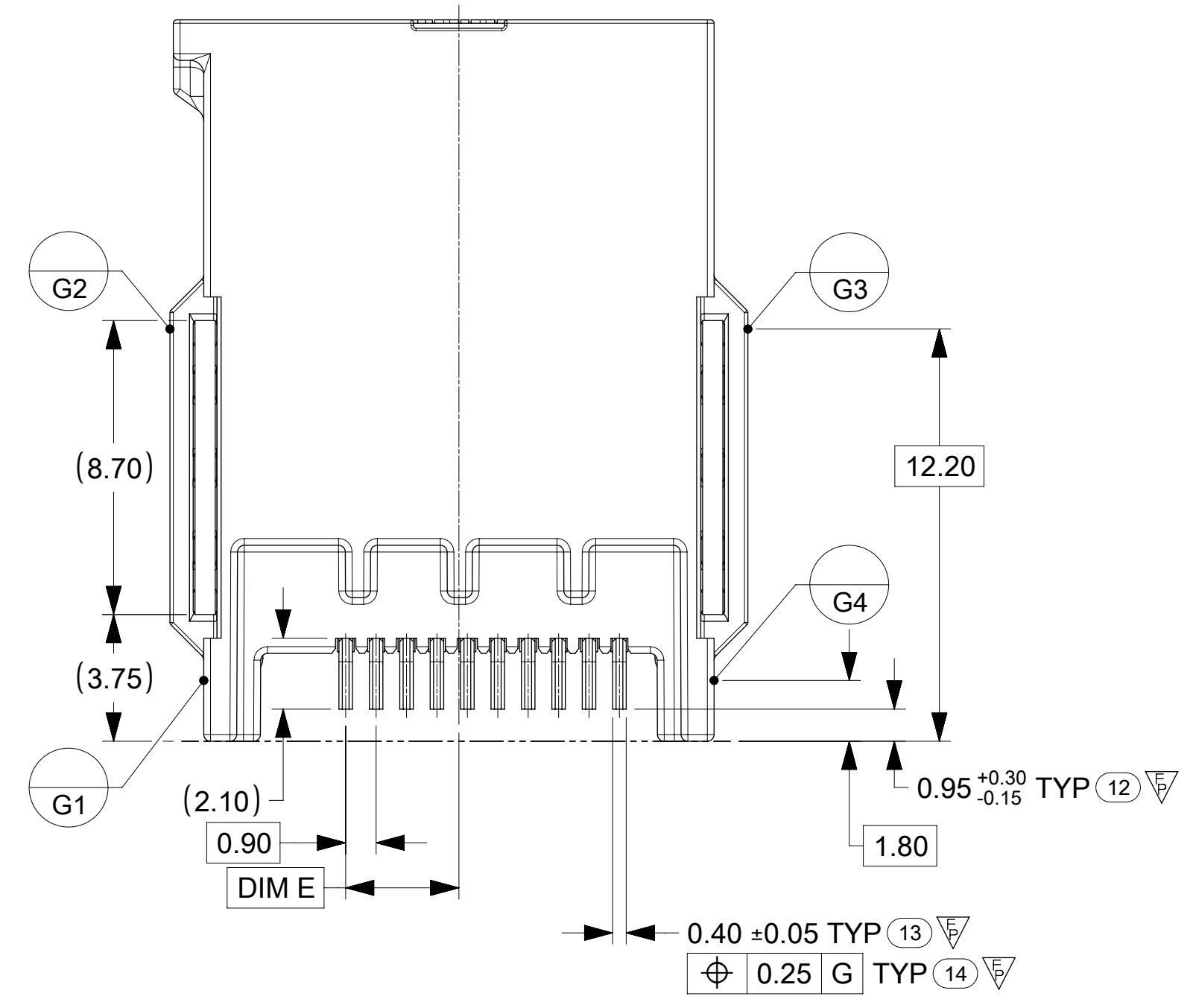


DEPOPULATED HEADER

8CKT DEPOPULATED HEADER (10CKT INTERFACE) SHOWN
 PART NUMBER: 2069584081



LAST 2 PINS REMOVED ON LATCH SIDE



THIS DRAWING CONTAINS INFORMATION THAT IS PROPRIETARY TO MOLEX ELECTRONIC TECHNOLOGIES, LLC AND SHOULD NOT BE USED WITHOUT WRITTEN PERMISSION

DIMENSION UNITS	SCALE	CURRENT REV DESC:	
mm	6:1		
GENERAL TOLERANCES (UNLESS SPECIFIED)			
ANGULAR TOL	± °	EC NO: 678858	
4 PLACES	±	DRWN: ECOLARUSSO	2021/09/23
3 PLACES	±	CHK'D: KHEWITT	2021/09/28
2 PLACES	±	APPR: JDUNAJ	2021/09/28
1 PLACE	±	INITIAL REVISION:	
0 PLACES	±	DRWN: KHEWITT	2018/02/06
		APPR: JDUNAJ	2018/03/05
DRAFT WHERE APPLICABLE MUST REMAIN WITHIN DIMENSIONS		THIRD ANGLE PROJECTION	DRAWING SERIES
		D-SIZE	204632
		MATERIAL NUMBER	CUSTOMER
		SEE TABLE	GENERAL MARKET
		DOCUMENT NUMBER	DOC TYPE DOC PART REVISION
		2046320003	PSD 000 D3
		SHEET NUMBER	
			2 OF 2