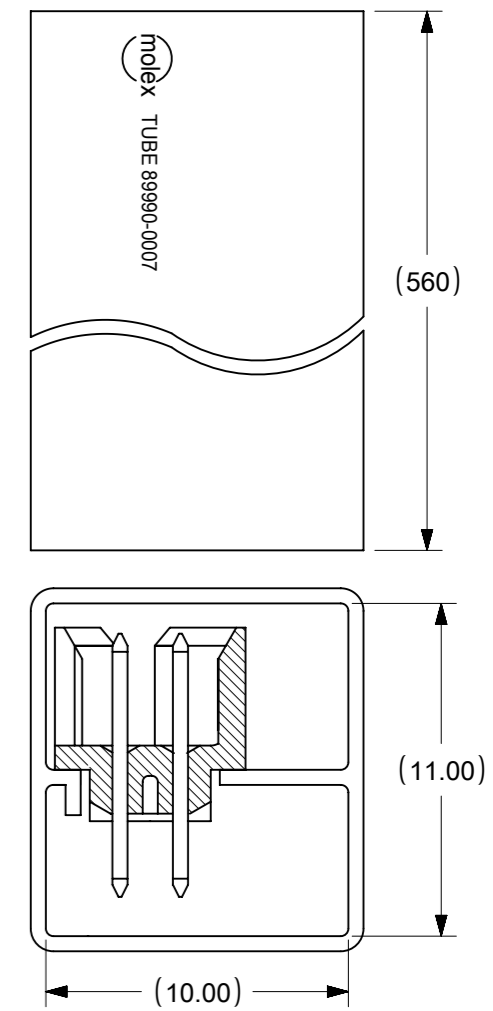
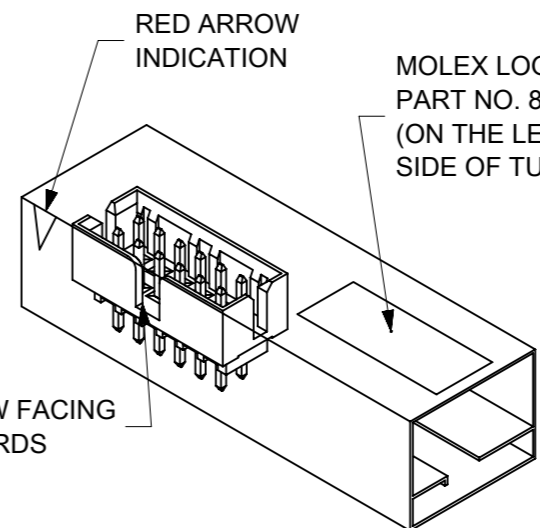
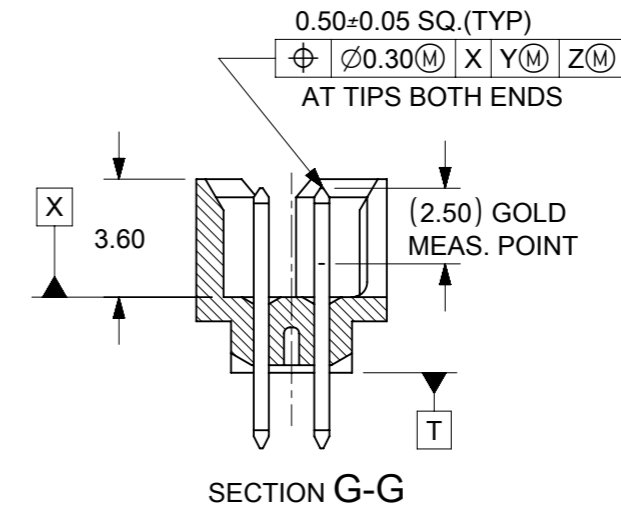
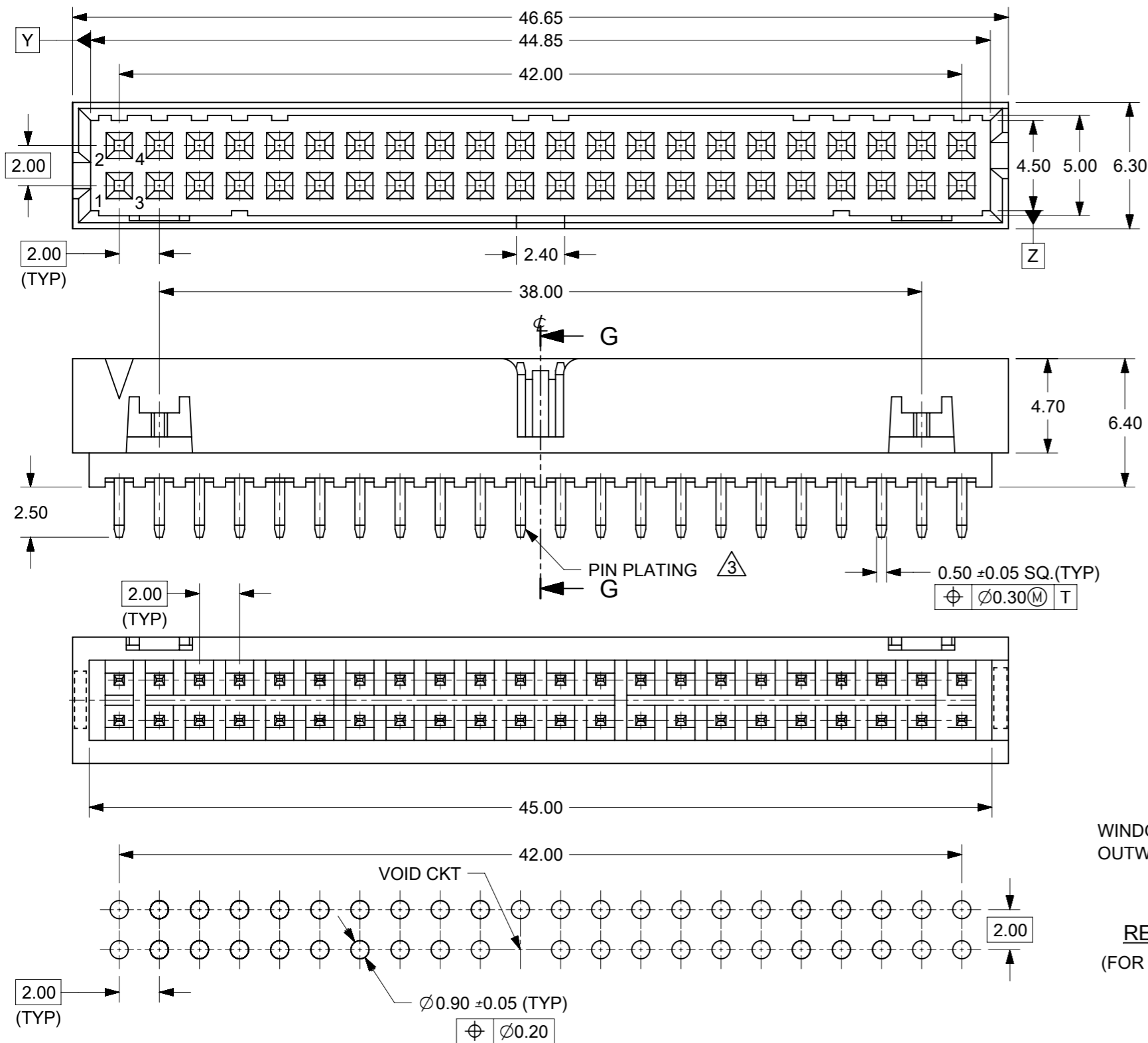


P/N IN TUBE	CKT SIZE	VOID(S) CKT
87831-7001	44	21

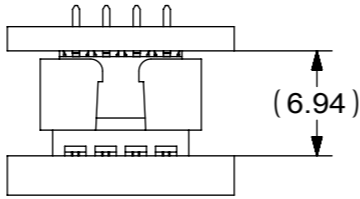
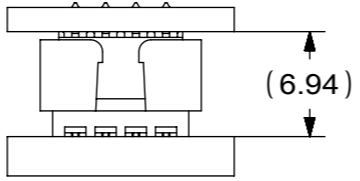
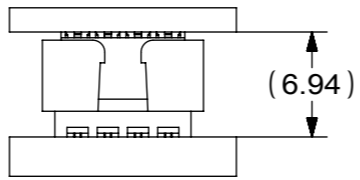
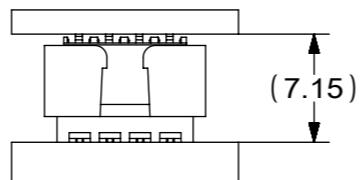
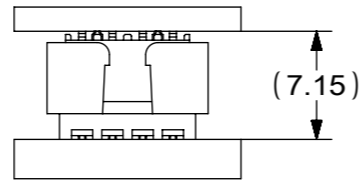


- NOTES:**
- MATERIAL :
HOUSING : 30% G.F., NYLON 46, UL94V-0, COLOR BLACK.
PIN : 0.50mm SQ.PHOSPHOR BRONZE.
 - PRODUCT SPECIFICATION PS-87831-027 APPLIES.
 - PLATING OPTIONS.
0.38 μ m/15 μ in GOLD IN CONTACT AREA AND 1.88 μ m/75 μ in MIN. TIN IN SOLDER TAIL AREA OVER 1.27 μ m/50 μ in MIN.NICKEL OVERALL.
 - THIS HEADER MATES WITH MOLEX :
a) CRIMP RECEPTACLE HOUSING, 51110 SERIES WITH CRIMP TERMINAL, 50394 SERIES.
b) 2mm MILLIGRID DUAL ROW IDT, 87568 SERIES.
 - PARTS TO BE PACKED IN TUBE WITH MOISTURE BARRIER BAG.

THIS DRAWING CONTAINS INFORMATION THAT IS PROPRIETARY TO MOLEX ELECTRONIC TECHNOLOGIES, LLC AND SHOULD NOT BE USED WITHOUT WRITTEN PERMISSION		CURRENT REV DESC: ADDED BTB DIST.		molex	
DIMENSION UNITS: mm NTS		SCALE: NTS			
GENERAL TOLERANCES (UNLESS SPECIFIED)		EC NO: 619055		PRODUCT CUSTOMER DRAWING	
4 PLACES ± 0.2 ±		DRWN: HK02 2019/05/21		DOCUMENT NUMBER: SD-87831-028	
3 PLACES ± 0.2 ±		CHK'D: NMANE02 2019/07/09		DOC TYPE: PSD	
2 PLACES ± 0.2 ±		APPR: MRAMAKRISHNA 2019/07/09		DOC PART: 001	
1 PLACE ± 0.2 ±		INITIAL REVISION:		REVISION: A5	
0 PLACES ± 0.2 ±		DRWN: ATSEE 2004/05/17		SHEET NUMBER: 1 OF 2	
ANGULAR TOL ± 3.0°		APPR: SKTOH 2004/05/18		MATERIAL NUMBER: SEE TABLE	
DRAFT WHERE APPLICABLE MUST REMAIN WITHIN DIMENSIONS		THIRD ANGLE PROJECTION		CUSTOMER: GENERAL MARKET	
DRAWING: A3-SIZE		SERIES: 87831		SHEET NUMBER: 1 OF 2	

REV A4 ORIGINALLY RELEASED BY ECM 170249

BOARD TO BOARD (BTB) DISTANCE

HEADER	MATES WITH (RECEPTACLE)	BTB DIST.	PICTORIAL VIEW
87831	79107	6.94	
	78787	6.94	
	79108	6.94	
	79109	7.15	
	78788	7.15	

THIS DRAWING CONTAINS INFORMATION THAT IS PROPRIETARY TO MOLEX ELECTRONIC TECHNOLOGIES, LLC AND SHOULD NOT BE USED WITHOUT WRITTEN PERMISSION												
DIMENSION UNITS		SCALE		CURRENT REV DESC: ADDED BTB DIST.						molex		
mm		NTS										
GENERAL TOLERANCES (UNLESS SPECIFIED)				EC NO: 619055		2019/05/21		MGRID, SHROUDED HEADER VERTICAL, W/VOID(S)				
				DRWN: HK02		2019/07/09						
				CHK'D: NMANE02		2019/07/09		PRODUCT CUSTOMER DRAWING				
				APPR: MRAMAKRISHNA		2019/07/09						
				INITIAL REVISION:				DOCUMENT NUMBER		DOC TYPE	DOC PART	REVISION
4 PLACES ±				DRWN: DRWN BY		XXXX/XX/XX		SD-87831-028		PSD	001	A5
3 PLACES ±				APPR: APPR BY		XXXX/XX/XX						
2 PLACES ± 0.2				DRAFT WHERE APPLICABLE MUST REMAIN WITHIN DIMENSIONS		THIRD ANGLE PROJECTION		DRAWING		SERIES	MATERIAL NUMBER	CUSTOMER
1 PLACE ±								A3-SIZE		87831	GENERAL MARKET	SHEET NUMBER
0 PLACES ±												2 OF 2
ANGULAR TOL ± 3.0°												