

6

5

4

3

2

1

APPROVED: _____

DATE: _____ TITLE: _____

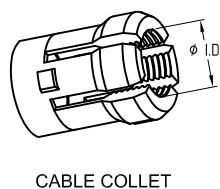
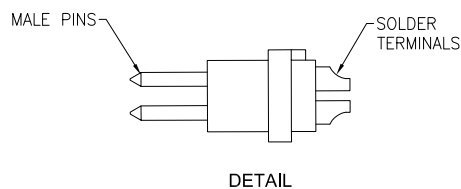
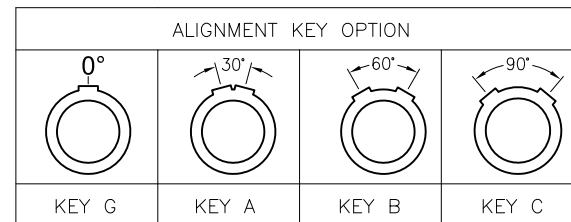
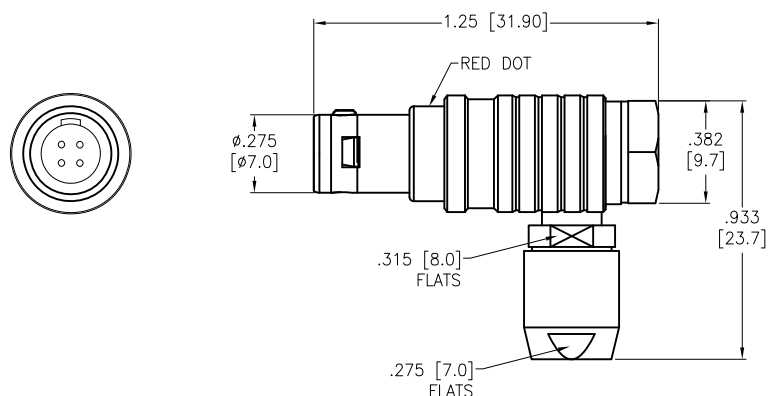
Rev	AWO #	Description	Date	Appr
-		RELEASED	8/16/21	

MMI-MOPRXXXXSXX

ALIGNMENT KEY
G = 0°
A = 30°
B = 60°
C = 90°

CABLE COLLET SIZE
32 = 2.2mm ~ 3.2mm ID
42 = 3.2mm ~ 4.2mm ID
45 = 3.5mm ~ 4.5mm ID
52 = 4.2mm ~ 5.2mm ID
55 = 4.5mm ~ 5.5mm ID

OF POSITIONS
02, 03, 04, 05,
06, 07 & 09



	2 Pin	3 Pin	4 Pin	5 Pin	6 Pin	7 Pin	9 Pin
Configuration							
Diameter of Pin	ø0.9	ø0.9	ø0.7	ø0.7	ø0.5	ø0.5	ø0.5
Testing Voltage	1200V	1200V	1000V	1000V	900V	800V	800V
Working Voltage	250V	250V	200V	200V	200V	200V	200V
Rated Current / Pin	8A	7A	5A	5A	2.5A	2A	2A
Max. Wire Awg	22	22	22	22	28	28	28

SPECIFICATIONS:

Material:
Housing (Body): Brass, Natural Chrome plated
Insulator: PPS
Terminal: Brass, Gold Plated
Electrical:
Voltage Rating: See chart
Current Rating: See chart
Dielectric withstanding voltage: See chart
Electrical Life: 5,000 Cycles min.
Temperature Rating:
Operating temperature: -55°C to +150°C
Environmental:
IP50 Protection (Mated Condition)
Lead free, RoHS compliant



UNLESS OTHERWISE SPECIFIED
ALL DIMENSIONS ARE INCHES [MM]
TOLERANCES: EXCEPT AS NOTED
INCHES HOLES
.X ±.10 Ø.X ±.10
.XX ±.020 Ø.XX ±.015
.XXX ±.015 Ø.XXX ±.010



909 Rahway Avenue,
Union, NJ 07083
Phone: 908-687-5000
Fax: 908-687-5710

TITLE: PUSH-PULL CONNECTOR MALE PLUG, METAL, SIZE 0,
RIGHT ANGLE, SOLDER TERMINAL, IP50

APPROVALS		DATE
DRAWN	SS	8/16/21
CHECKED	SS	8/16/21
APPROVED		

SIZE	PART NO.	REV.
X	MMI-MOPRXXXXSXX	-
REF:	SXXXXX	SCALE: NTS
		SHEET 1 OF 1

6

5

4

3

2

1