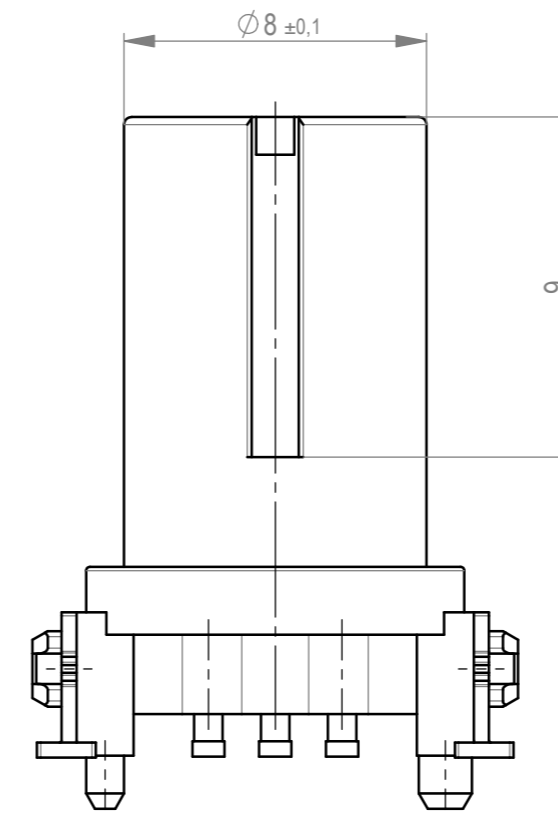
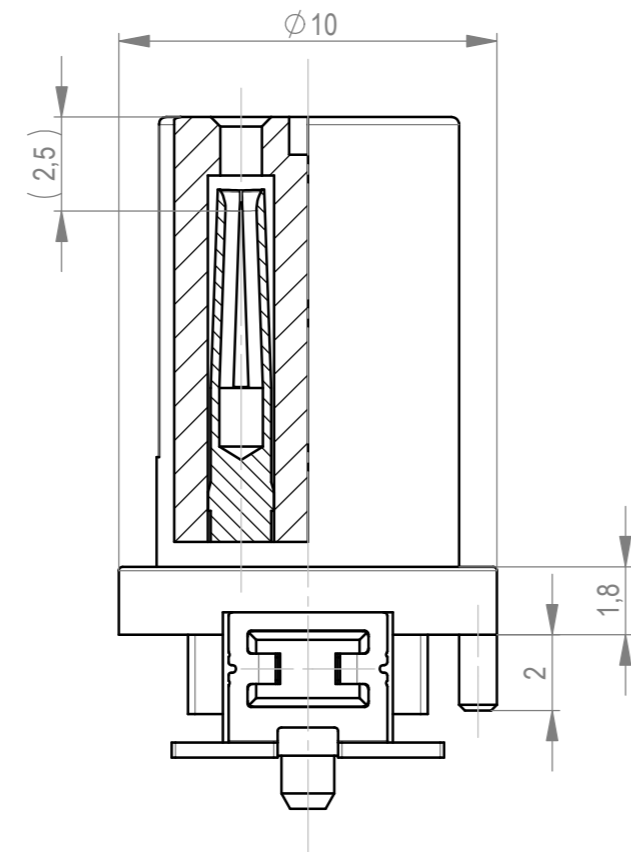
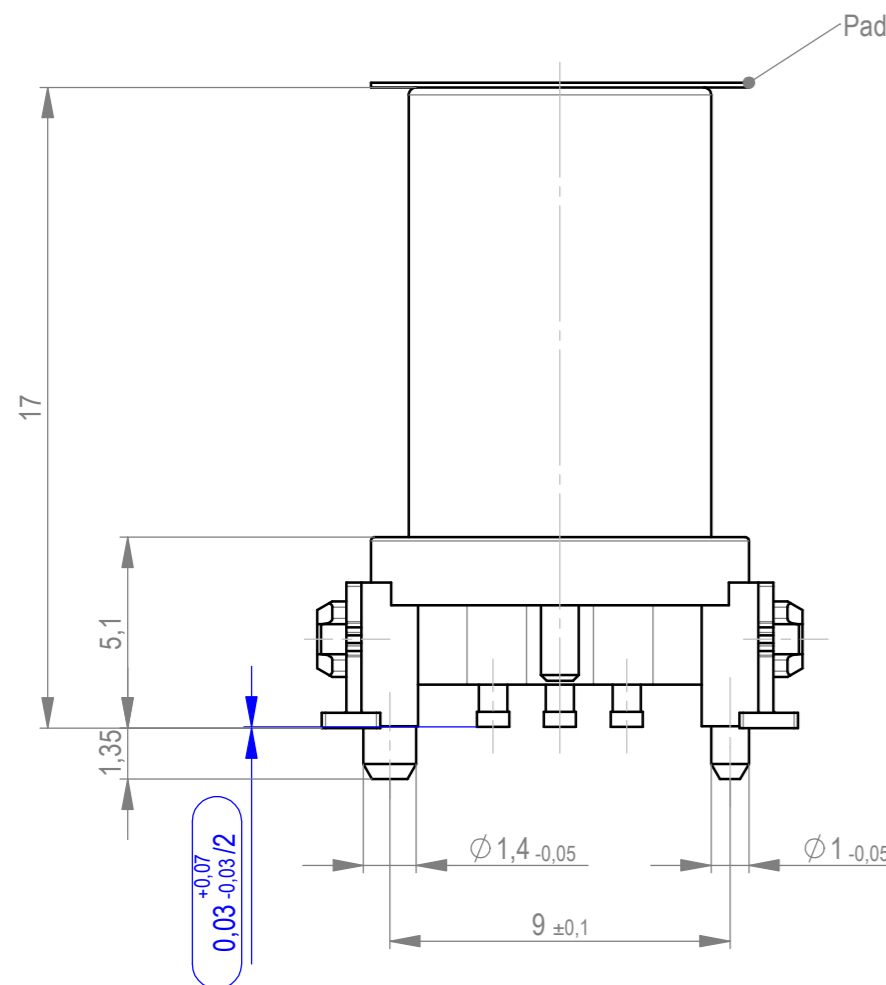
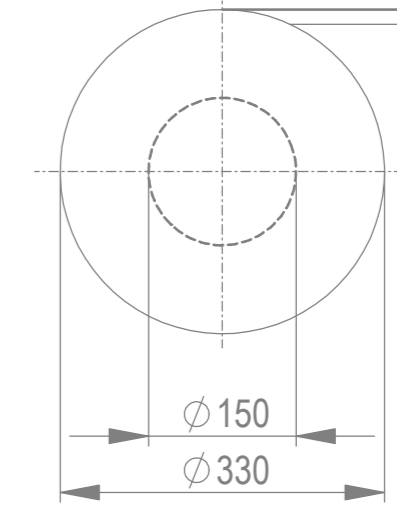
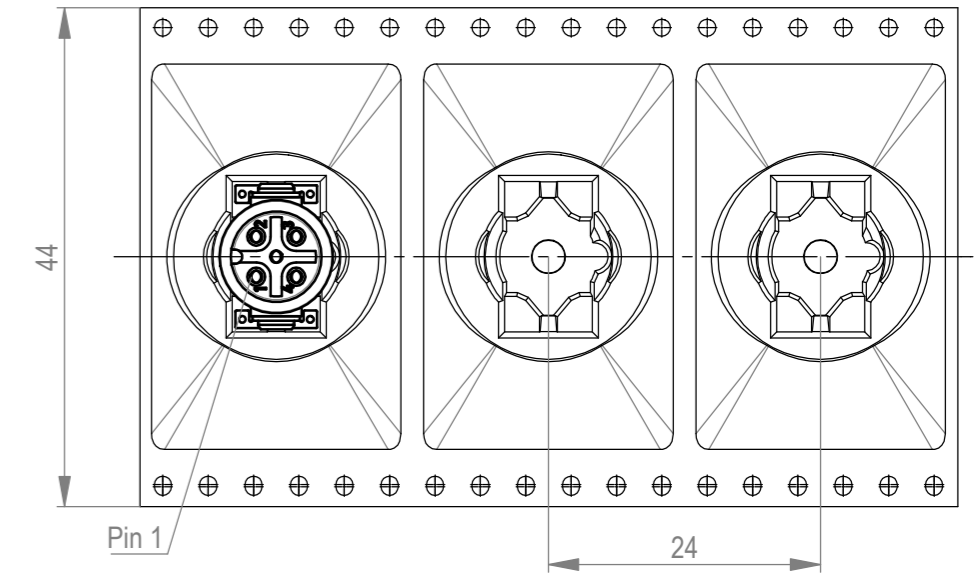


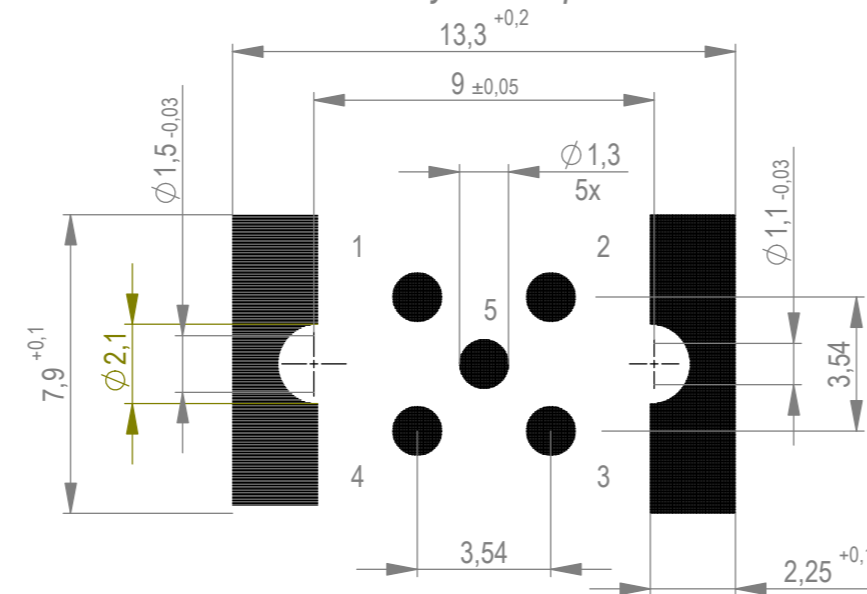
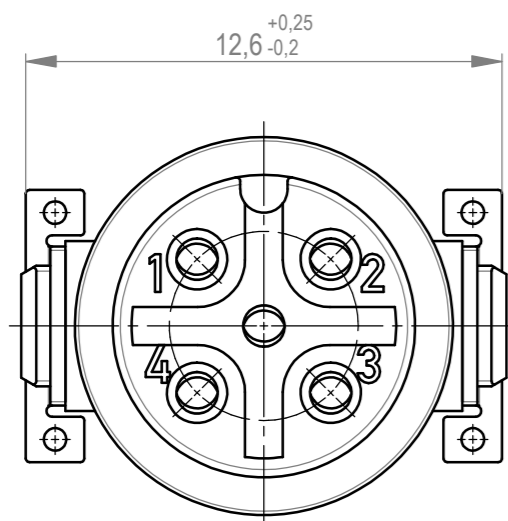
Verpackt im Gurt in Anlehnung an DIN IEC 60286-3
 tape on reel packaging according to DIN IEC 60286-3
 Verpackungseinheit: 100 Stück
 packaging unit: 100 pcs



Abspulrichtung - reel off direction

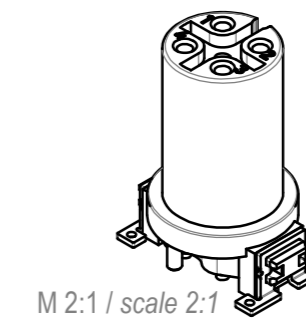


Layout-Vorschlag
 PCB-Layout Proposal



Zeichnung Spezifikation siehe ERNI Dokument 5.3.17
 Drawing Specification according to ERNI Document 5.3.17

Koplanarität aller Clips ≤ 0,1mm
 coplanarity of all clips ≤ 0,1 mm



484896	Gurtverpackung mit Pad tape on reel packaging with Pad
354702	Gurtverpackung tape on reel packaging
Ident-Nr. part-no.	Bemerkung remark

Dimension no.	Tolerances ISO 8015	Scale 5:1	Material
Customer drawing: All rights reserved. Only for information. To ensure that this is the latest version of this drawing, please contact one of the ERNI companies before using.	Subject to modification without prior notice. Drawing will not be updated.	M12 Circular Connectors Female Connector A Cod 5p 17mm SMT V	
e Index	17.02.2020 Date	ERNI International AG Zürichstrasse 72 8306 Brüttisellen - Zürich Switzerland	354703 I A2
		Class	M12

Die deutsche Version dieser Zeichnung dient nur zur Erläuterung der Handlung. Bei Abweichungen vom englischen Original gilt das englische Original. All dimensions in this drawing have been defined for convenience only and may deviate from the original. In case of any deviation the English version shall prevail.