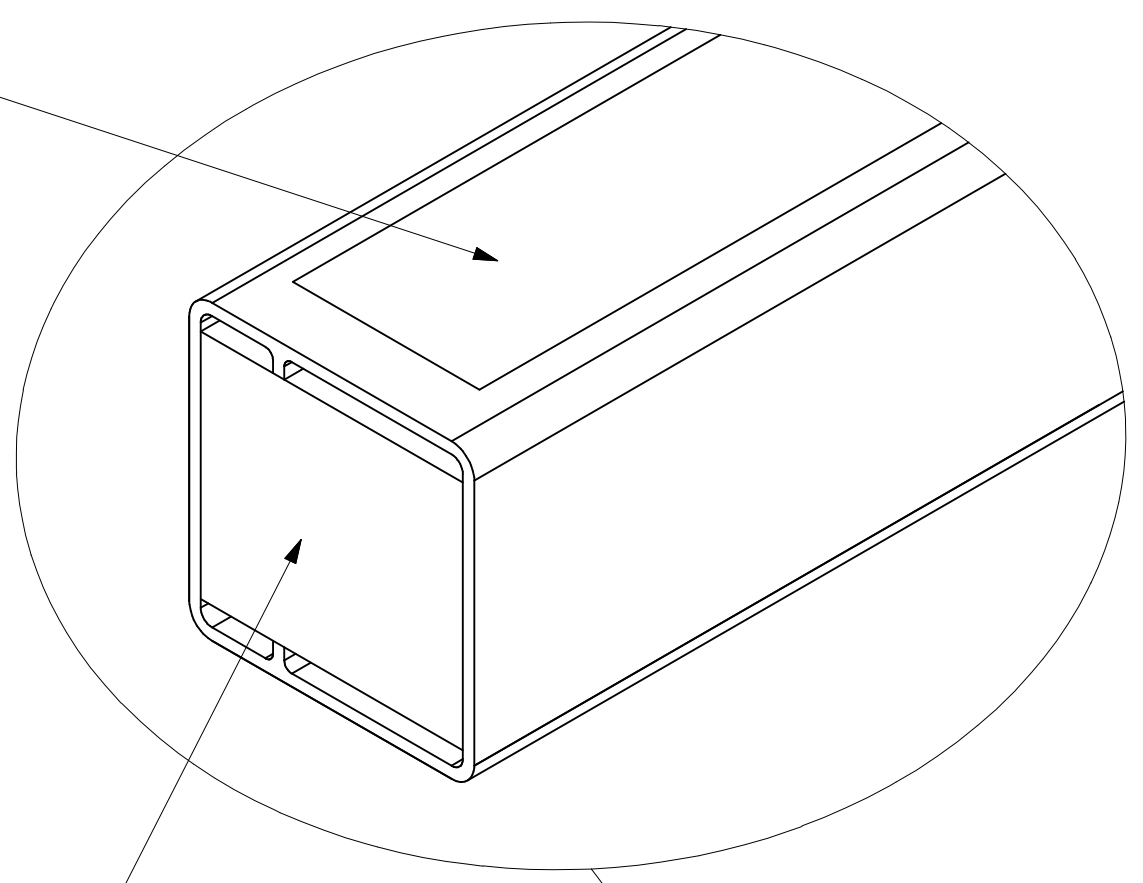
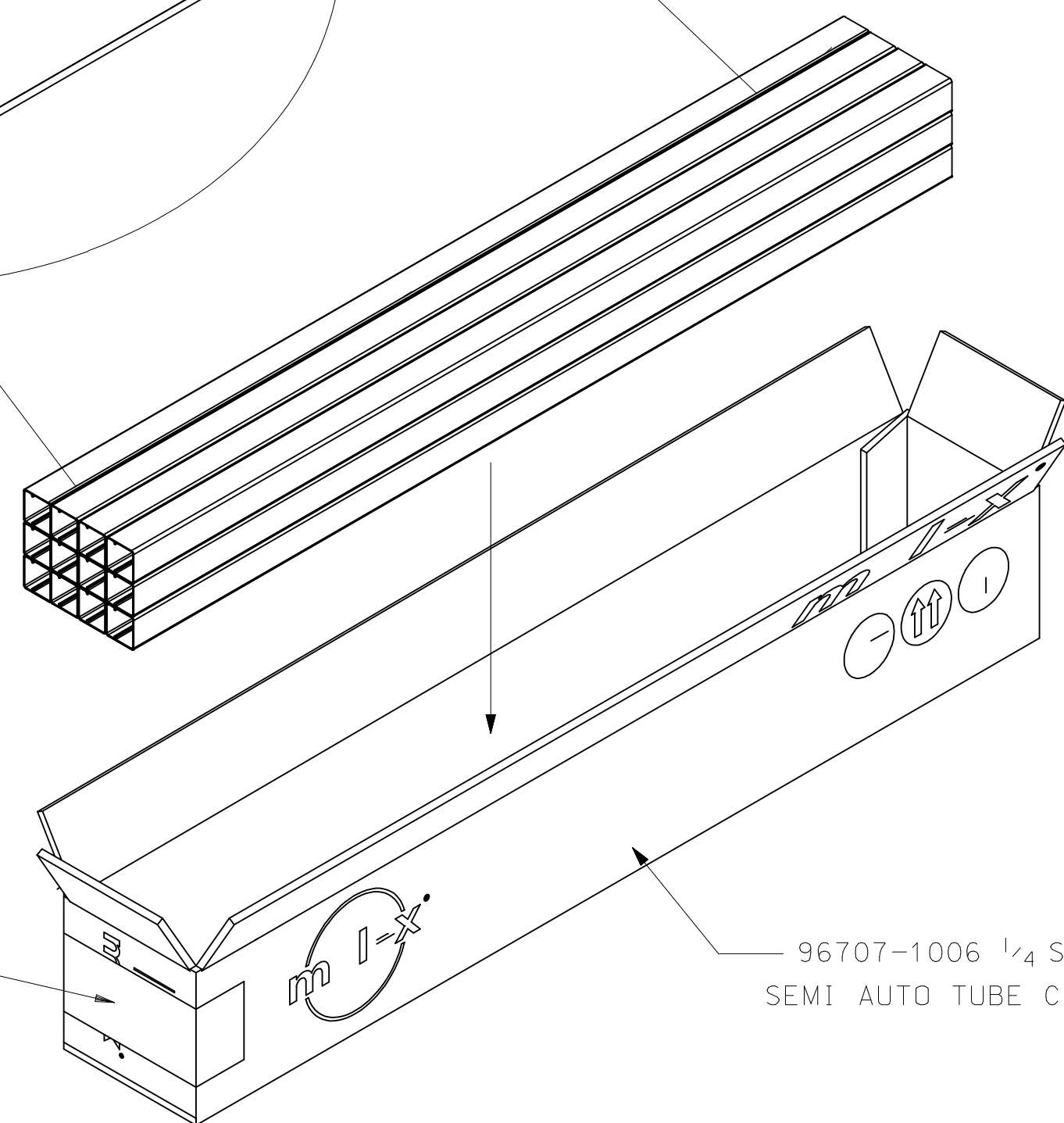
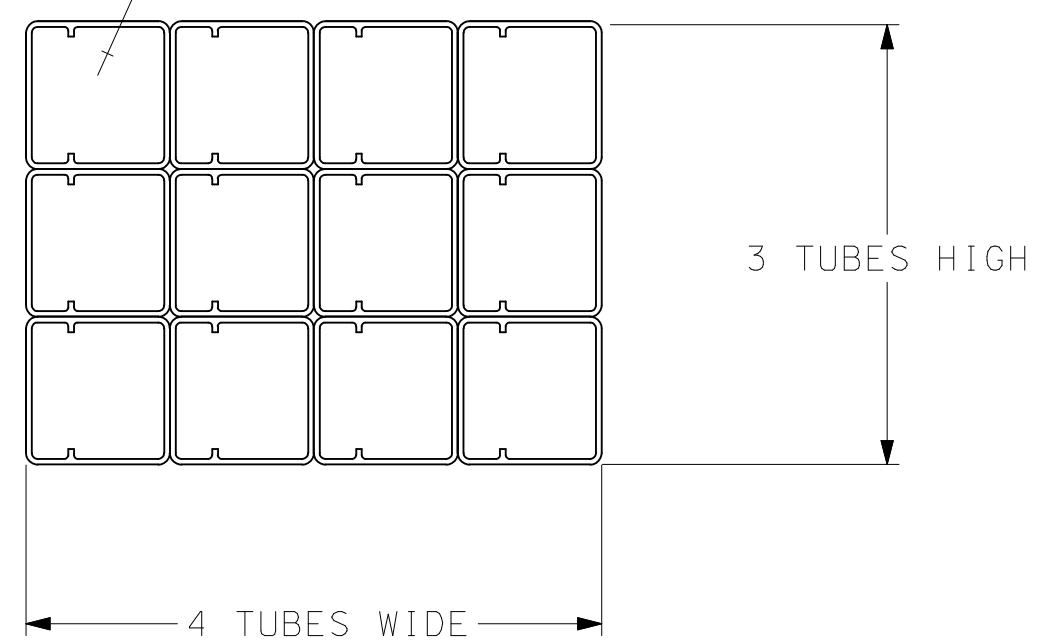


LABEL 73728-0000  
SEE NOTE #6



70892-0060  
SEE NOTE #3 & #5

70067-0280



INFORMATION LABEL  
SEE NOTE #8

96707-1006 1/4 SIZE  
SEMI AUTO TUBE CARTON

NOTES:

- CARTON CLOSURES MUST BE DONE WITH TAPE.
- PARTS TO BE LOADED INTO 70067-0280 TUBES AS SHOWN IN PART ORIENTATION DETAIL.
- AFTER FILLING TUBES, THE 70892-0075 PLASTIC END PLUGS AND 70892-0060 FOAM END PLUGS MUST BE INSERTED AS SHOWN IN FIG 1. ASSEMBLED TUBE LENGTHS MUST NOT EXCEED 562mm.
- TUBES MUST BE LOADED INTO 96707-1006 AS SHOWN.
- USE ONE (1) 70180-8700 WHITE TYVEK TUBE CLOSURE LABEL ON EACH END.
- MARK CUSTOM LABEL P/N 73728-0000 WITH P/N AND DATE CODE. PLACE ONE LABEL PER TUBE APPROXIMATELY WHERE SHOWN.
- FILL ALL EXCESS SPACE IN BOX WITH PINK FOAM.
- INFORMATION LABEL TO BE WRAPPED AROUND THE END OF CARTON SUCH THAT P/N AND BAR CODE ARE VISIBLE AND CENTERED ON THE END PANEL.
- SPQ AND MOQ EQUAL ONE (1) 1/4 SIZE CARTON.
- ADD TWO SHEETS OF FOAM P/N 96720-0004, ONE TO EACH SIDE BETWEEN ENDS OF TUBES AND CARTON. IF FOAM DOES NOT FIT AS TUBES ARE TIGHT IN BOX FOAM IS UNNECESSARY.

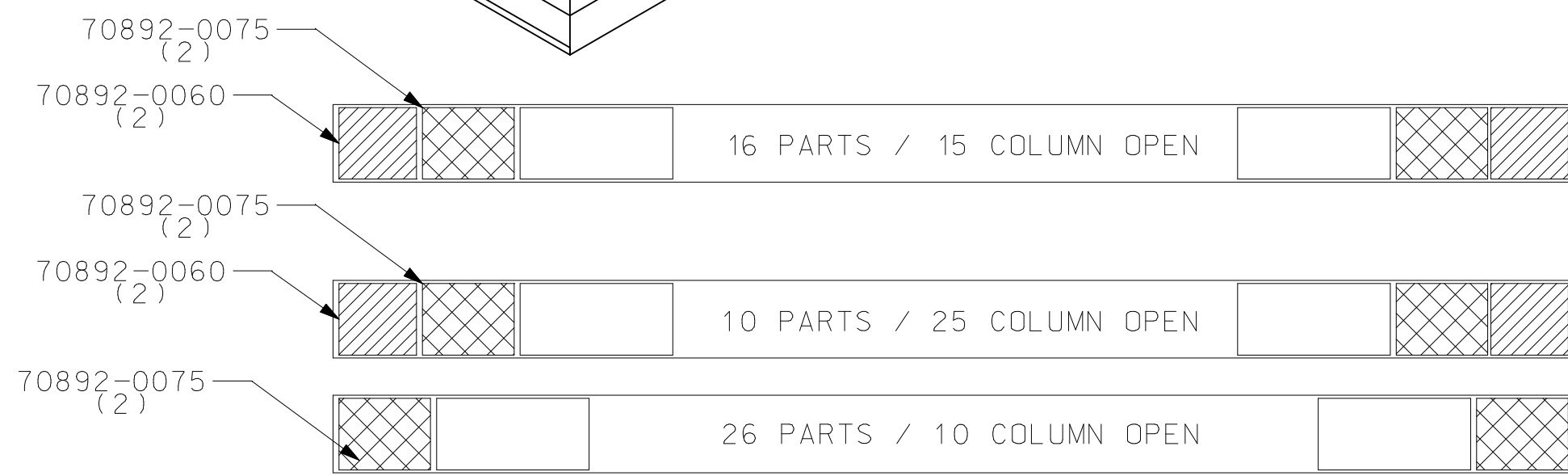


FIG. 1

COLUMNS	PARTS PER TUBE	TUBES PER CARTON	PARTS PER CARTON
10 OPEN END	26	12	312
15 OPEN END	16		192
25 OPEN END	10		120

REMOVE ALT PKG NOTE EC NO: UCP2013-2814 DRWN: MWOLFE 2013/01/09 CHKD: SVANG 2013/01/09 APPR: SMILLER 2013/01/14	QUALITY SYMBOLS ▽=0 ▽=0 ▽=0	GENERAL TOLERANCES (UNLESS SPECIFIED)		DIMENSION STYLE MM ONLY		SCALE 4:1	DESIGN UNITS METRIC	THIRD ANGLE PROJECTION	
		4 PLACES ± --- ± ---	DRAWN BY JJONIAK	DATE 2007/02/28	TITLE PACKAGING SPEC FOR VHDM BP 6 ROW OPEN END HEADER				
		3 PLACES ± --- ± ---	CHECKED BY JJONIAK	DATE 2007/02/28					
		2 PLACES ± --- ± ---	APPROVED BY JJONIAK	DATE 2007/02/28	MATERIAL NO. 74057-0030	DOCUMENT NO. PK-74057-003	SHEET NO. 1 OF 1		
DRAFT WHERE APPLICABLE MUST REMAIN WITHIN DIMENSIONS		THIS DRAWING CONTAINS INFORMATION THAT IS PROPRIETARY TO MOLEX INCORPORATED AND SHOULD NOT BE USED WITHOUT WRITTEN PERMISSION							