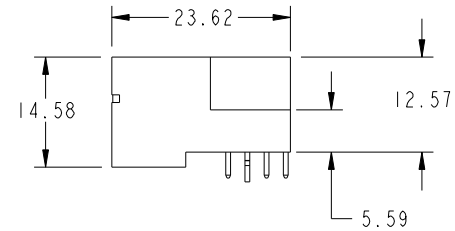
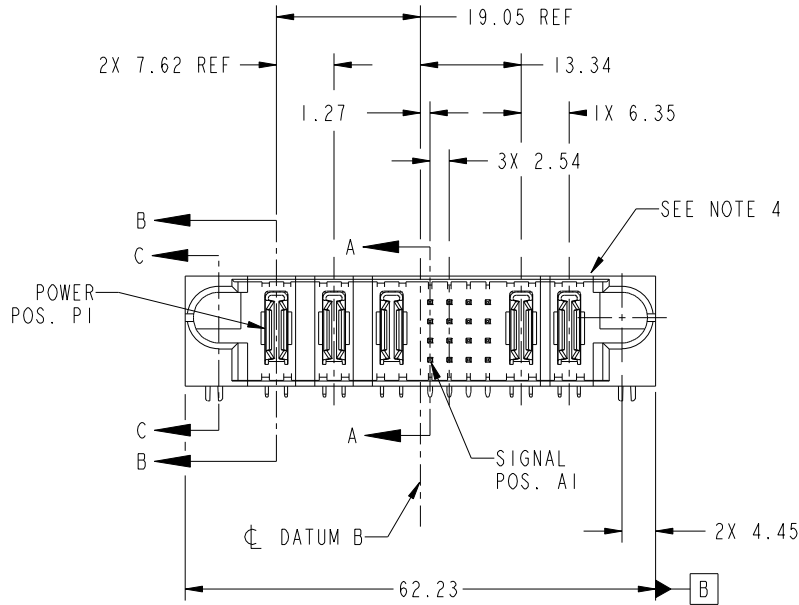
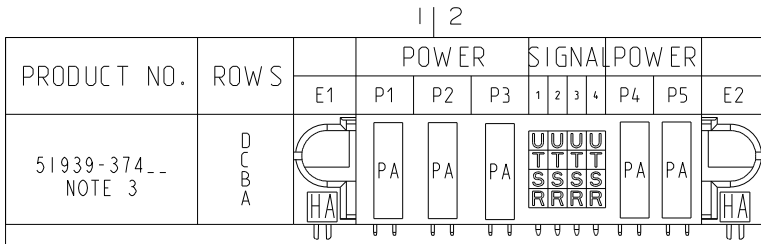


Tous droits strictement reserves. Reproduction ou communication a des tiers interdite sous quelque forme que ce soit sans autorisation ecrite du proprietaire. Propriete de c.FCI. Droits de reproduction FCI.

All rights strictly reserved. Reproduction or issue to third parties in any form whatever is not permitted without written authority from the proprietor. Property of FCI. Copyright FCI.



CODE	DIM "M" MATING LENGTH	CONTACT TYPE
U	[6.86]	SIGNAL
T	[6.86]	SIGNAL
S	[6.86]	SIGNAL
R	[6.86]	SIGNAL
PA	[N/A]	POWER
HA	[N/A]	HOLD-DOWN

mat'l code				SEE NOTE		tolerances unless otherwise specified		CUSTOMER	
lir	ecn no.	dr	date	linear	angles	COPY		projection	
A	DG08-0195	W D	07/29/08	0.X ±0.5	0° ±2°	MM		title	
				0.XX ±0.25		scale		product family	
				0.XXX ±0.1		1:1		PwrBlade	
								code	
								213	
								sheet	
								1 of 4	
sheet index	revision sheet	A 1	A 2	A 3	A 4				

CUSTOMER		FCI	
COPY		www.fciconnect.com	
title		3ACP + 16S + 2P	
RIGHT ANGLE SOLDER HEADER			
product family		PwrBlade	
size	dwg no	code	
A	51939-374	213	
		sheet	
		1 of 4	

A

A

B

B

1 | 2

Pro/E

PDM: Rev: A

STATUS: Released

Printed: Dec 20, 2010

3

4

cage code 2856

4

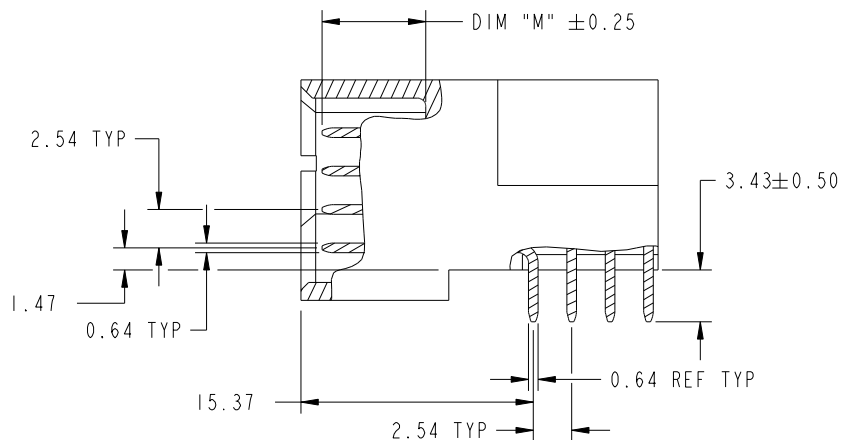
Tous droits strictement reserves. Reproduction ou communication a des tiers interdite sous quelque forme que ce soit sans autorisation ecrite du proprietaire. Propriete de c FCI. Droits de reproduction FCI.

All rights strictly reserved. Reproduction or issue to third parties in any form whatever is not permitted without written authority from the proprietor. Property of FCI. Copyright FCI.

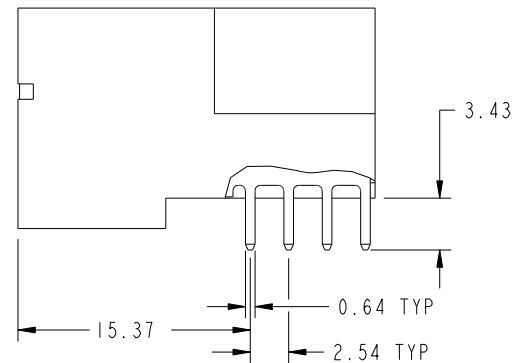


PRODUCT NUMBER

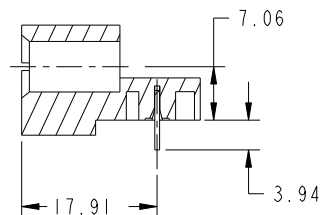
51939-374__
NOTE: 3



BROKEN-OUT SECTION A-A
SCALE 2:1



BROKEN-OUT SECTION B-B
SCALE 2:1



SECTION C-C

mat'l code		SEE NOTE		tolerances unless otherwise specified		CUSTOMER		 www.fciconnect.com	
lir	ecn no.	dr	date	linear	0.X ±0.5	COPY		title	
A					0.XX ±0.25	projection		3ACP + 16S + 2P	
				angles	0.XXX ±0.1			RIGHT ANGLE SOLDER HEADER	
					0° ±2°			product family	
				dr	Warren Du 07/18/08	MM		PwrBlade	
				enr	Jerome Chen 07/18/08			code	
				chr	Gary Hsieh 07/18/08	1:1		213	
				appd	Joseph Hsia 07/18/08	A		51939-374	
sheet index	revision sheet							sheet	
								2 of 4	

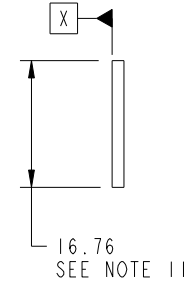
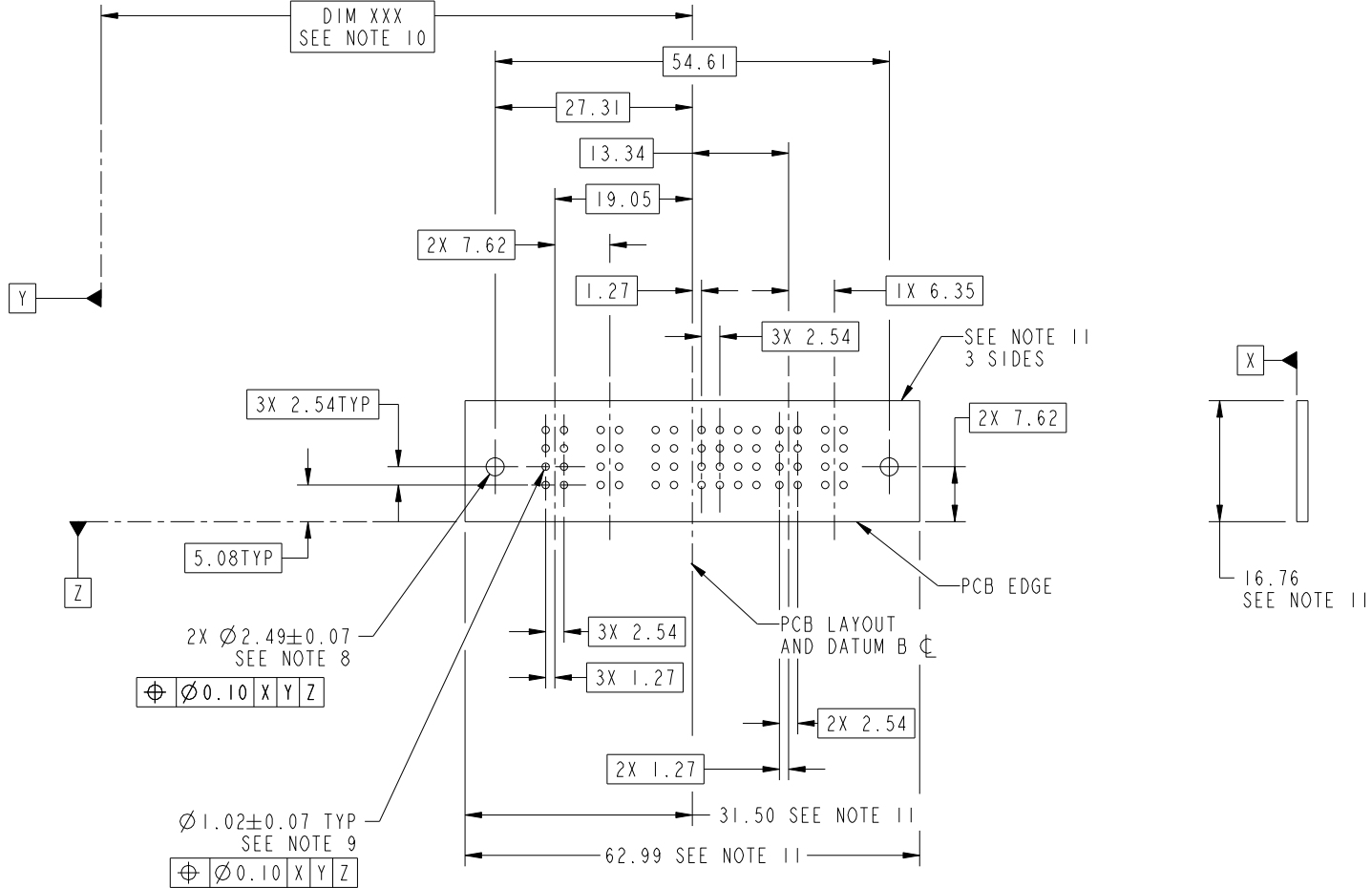
cage code 28506

Tous droits strictement réservés. Reproduction ou communication a des tiers interdite sous quelque forme que ce soit sans autorisation écrite du propriétaire. Propriété de c.FCI. Droits de reproduction FCI.

All rights strictly reserved. Reproduction or issue to third parties in any form whatever is not permitted without written authority from the proprietor. Property of FCI. Copyright FCI.



PRODUCT NUMBER
51939-374__
NOTE: 3



RECOMMENDED PCB LAYOUT

mat'l code				SEE NOTE		tolerances unless otherwise specified		CUSTOMER		 www.fciconnect.com	
ltr	ecn no.	dr	date	linear	0.X ± 0.5		COPY		title 3ACP + 16S + 2P RIGHT ANGLE SOLDER HEADER		
A					0.XX ± 0.25		projection				
					0.XXX ± 0.1						
				angles	0° ± 2°		 MM		product family PwrBlade		code
				dr	Warren Du	07/18/08	scale		size	dwg no	213
				enr	Jerome Chen	07/18/08	1:1		A	51939-374	sheet
				chr	Gary Hsieh	07/18/08					3 of 4
				appd	Joseph Hsia	07/18/08					
sheet index	revision sheet										

cage code 28556

Pro/E

PDM: Rev: A

STATUS: Released

Printed: Dec 20, 2010

Tous droits strictement reserves. Reproduction ou communication a des tiers interdite sous quelque forme que ce soit sans autorisation ecrite du propriétaire. Propriete de c.FCI. Droits de reproduction FCI.

All rights strictly reserved. Reproduction or issue to third parties in any form whatever is not permitted without written authority from the proprietor. Property of FCI. Copyright FCI.



1 | 2

3

4

PRODUCT NUMBER
51939-374__
NOTE: 3

NOTES:

1. DIMENSIONS AND TOLERANCES ARE IN ACCORDANCE WITH ASME Y14.5M, 1994 UNLESS OTHERWISE SPECIFIED.

CONNECTOR NOTES:

- 2. HOUSING MATERIAL: UL 94 V-0 GLASS FILLED HIGH-TEMP THERMOPLASTIC
POWER CONTACT MATERIAL: COPPER ALLOY
SIGNAL PIN MATERIAL: COPPER ALLOY
 - 3. 51939-374; 51939-374LF PLATING SPEC. SEE PRINT:10064183
 - 4. MANUFACTURER'S NAME, P/N, AND DATE CODE TO APPEAR ON THIS SURFACE.
 - 5. PRODUCT SPECIFICATION GS-12-149.
APPLICATION SPECIFICATION BUS-20-067.
 - 6. PACKAGED IN TRAYS.
- PCB NOTES:
- 7. ALL HOLE DIAMETERS ARE FINISHED HOLE SIZE.
 - 8. MOUNTING HOLES, WHERE APPLICABLE, ARE UNPLATED.
 - 9. $\varnothing 1.151 \pm 0.025$ DRILLED HOLES PLATED WITH
0.008 MIN SnPb OR Sn OVER 0.03
TO 0.08 Cu PLATING TO ACHIEVE
 $\varnothing 1.02 \pm .07$ HOLE.
 - 10. "DIM XXX" TO BE DETERMINED BY THE CUSTOMER.
 - 11. CONNECTOR KEEP-OUT ZONE.

mat'l code		SEE NOTE		tolerances unless otherwise specified		CUSTOMER		 www.fciconnect.com	
ltr	ecn no.	dr	date	linear	0.X ±0.5		COPY		 title 3ACP + 16S + 2P RIGHT ANGLE SOLDER HEADER
A					0.XX ±0.25		projection		
					0.XXX ±0.1		 scale 1:1		
				angles	0° ±2°		 product family PwrBlade		code 213
				dr	Warren Du	07/18/08	size		sheet
				enrg	Jerome Chen	07/18/08	dwg no		4 of 4
				chr	Gary Hsieh	07/18/08	A 51939-374		
				appd	Joseph Hsia	07/18/08			
sheet index	revision sheet								

1 | 2

Pro/E

PDM: Rev: A

STATUS: Released

Printed: Dec 20, 2010

cage code 2856

4