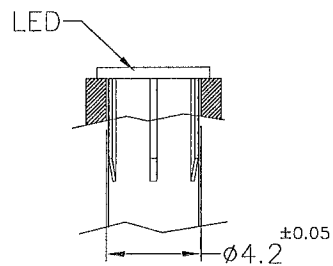
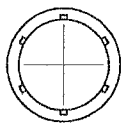
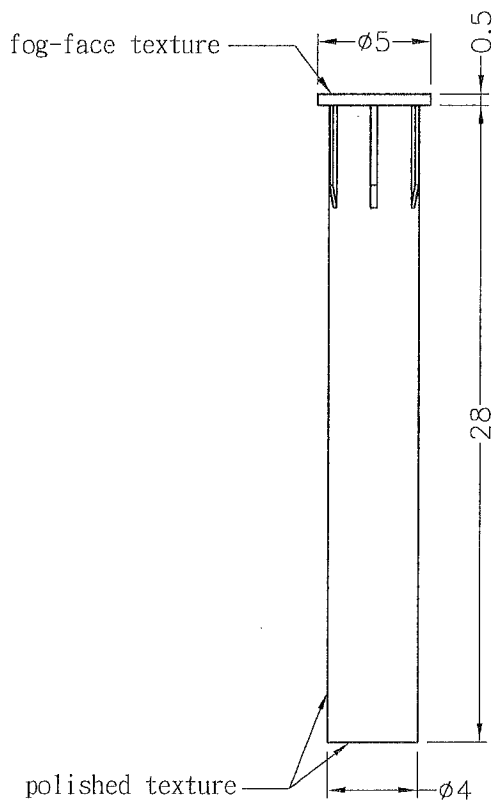
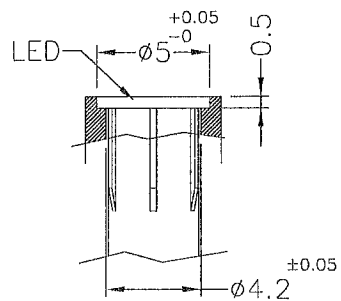


DTM.	TOL
L≤10	±0.2
10<L≤30	±0.3
30<L≤50	±0.5
50<L≤100	±0.7
100<L≤250	±1.2
ABOVE 250	±1.5


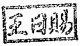
REVISIONS			
REV	DESCRIPTION	DATE	BY



HOLE IN PANEL



HOLE IN PANEL

 <p>康揚企業股份有限公司 KANG YANG HARDWARE ENTERPRISE CO., LTD. 康揚塑膠(東莞)有限公司 KANG YANG PLASTIC(DONG GUAN) CO., LTD. 康哲電腦配件(吳江)有限公司 KANG CHE COMPUTER COMPONENTS(WUJIANG) CO., LTD.</p>	TITLE LED LIGHT PIPE		SPEC. DWG.	
	MATERIAL PC UL94V-2		DATE 2010.09.20	
	FINISH		DRAWN SAI	
	COLOR CLEAR		CHECK 	
PART NUMBER LEM-98	DRAWING NUMBER LEM-98		UNLESS OTHERWISE SPECIFIED TOLERANCE SEE ABOVE	
SIZE A4	SCALE 3:1	UNIT mm	REV A	APPROVED 