



IBM PowerPC 750CL Microprocessor
Revision Level DD2.x

Datasheet

Preliminary

Version 2.4

May 29, 2007



© Copyright International Business Machines Corporation 2005, 2006, 2007

All Rights Reserved
Printed in the United States of America May 2007

The following are trademarks of International Business Machines Corporation in the United States, or other countries, or both.

IBM	PowerPC
IBM Logo	PowerPC 750
ibm.com	PowerPC Architecture

Other company, product, and service names may be trademarks or service marks of others.

All information contained in this document is subject to change without notice. The products described in this document are NOT intended for use in applications such as implantation, life support, or other hazardous uses where malfunction could result in death, bodily injury, or catastrophic property damage. The information contained in this document does not affect or change IBM product specifications or warranties. Nothing in this document shall operate as an express or implied license or indemnity under the intellectual property rights of IBM or third parties. All information contained in this document was obtained in specific environments, and is presented as an illustration. The results obtained in other operating environments may vary.

While the information contained herein is believed to be accurate, such information is preliminary, and should not be relied upon for accuracy or completeness, and no representations or warranties of accuracy or completeness are made.

Note: This document contains information on products in the sampling and/or initial production phases of development. This information is subject to change without notice. Verify with your IBM field applications engineer that you have the latest version of this document before finalizing a design.

Some of the information provided herein pertains to third party vendors and their products and services. You are directed to contact such vendors with all questions pertaining to their respective products or services, as well as any requests for product or service updates. You are solely responsible for the selection of any vendors, including their products and services. The vendors identified herein are not agents or representatives of IBM and are not authorized to make commitments, warranties or representations on behalf of IBM. IBM makes no commitments, warranties or representations with regard to the vendors, their respective product or services, or the compatibility of such products or services with any of IBM's product or services.

The information contained in this document is provided on an "AS IS" basis and no warranties of any kind, including but not limited to the implied warranties of merchantability and fitness for a particular purpose, are provided. In no event will IBM be liable to you or to any third parties for any damages arising directly or indirectly from any use of the information contained in this document.

IBM Systems and Technology Group
2070 Route 52, Bldg. 330
Hopewell Junction, NY 12533-6351

The IBM home page can be found at ibm.com®
The IBM semiconductor solutions home page can be found at ibm.com/chips

750cl_ds_title.fm..2.4
May 29, 2007

Contents

List of Figures	5
List of Tables	7
1. General Information	9
1.1 Features	9
1.2 Processor Version Register	12
1.3 Part Number Information	12
2. Overview	13
2.1 Block Diagram	13
2.2 General Parameters	14
3. Electrical and Thermal Characteristics	15
3.1 DC Electrical Characteristics	15
3.2 AC Electrical Characteristics	17
3.3 Clock Specifications	18
3.4 Spread Spectrum Clock Generator	19
3.4.1 Design Considerations	19
3.5 60x Bus Input AC Specifications	21
3.5.1 Input Setup Timing	21
3.6 60x Bus Output AC Specifications	24
3.6.1 IEEE 1149.1 AC Timing Specifications	27
4. Dimensions and Signal Assignments	30
4.1 Package	30
4.1.1 Overview	30
4.1.2 Features	30
4.2 Mechanical Specifications	31
4.3 Microprocessor Ball Placement	33
4.4 Pinout Listings	34
5. System Design Information	37
5.1 Reference Clock Selection	37
5.2 PLL Configuration	37
5.3 PLL Power Supply Filtering	39
5.4 Decoupling Recommendations	39
5.5 Connection Recommendations	42
5.6 Die Temperature Monitor	42
5.7 Output Buffer DC Impedance	43
5.7.1 Input/Output Usage	45

5.8 Thermal Management Information	51
5.8.1 Minimum Heat Sink Requirements	52
5.8.2 Internal Package Conduction Resistance	53
5.8.3 Adhesives and Thermal Interface Materials	54
5.9 Heat-Sink Selection Example	56
5.10 Operational and Design Considerations	58
5.10.1 Level Protection	58
5.10.2 Configuring the Processor During Reset	58
5.10.3 64-Bit or 32-Bit Data Bus Mode	59
5.10.3.1 Precharge Duration Selection and Application	59
5.11 JTAG Test Access Port (TAP) Operation	59
5.11.1 Interface Pins	59
5.11.2 Supported IEEE 1149 JTAG Instructions and Data Registers	60
5.11.2.1 Instructions	60
5.11.2.2 Data Registers	60
5.11.3 Recommendations to Support System Debug	61
5.11.3.1 Processor Debug System Enablement when Implementing Precharge Selection	61
Index	63
Revision Log	65

List of Figures

Figure 3-1.	SYSCLK Input Timing Diagram	19
Figure 3-2.	Linear Sweep Modulation Profile	20
Figure 3-3.	Input Timing Definition	22
Figure 3-4.	Input Timing Diagram	22
Figure 3-5.	Mode Select Input Timing Diagram	23
Figure 3-6.	Output Valid Timing Definition	25
Figure 3-7.	Output Timing Diagram for 750CL	26
Figure 3-8.	JTAG Clock Input Timing Diagram	28
Figure 3-9.	TRST Timing Diagram	28
Figure 3-10.	Boundary-Scan Timing Diagram	28
Figure 3-11.	Test Access Port Timing Diagram	29
Figure 4-1.	Package Drawing (Bottom and Side View)	31
Figure 4-2.	Package Drawing (Top View)	32
Figure 4-3.	PowerPC 750CL Microprocessor Ball Placement	33
Figure 5-1.	PLL Power Supply Filter Circuit	39
Figure 5-2.	Orientation and Layout of the 750CL Decoupling Capacitors	41
Figure 5-3.	Thermal Diode Schematic	42
Figure 5-4.	Interpolating Chip Junction Temperature Using Thermal Calibration Registers and User Voltage Measurement	43
Figure 5-5.	Driver Impedance Measurement	44
Figure 5-6.	IBM RISCWatch JTAG to HRESET, TRST, and SRESET Signal Connector	50
Figure 5-7.	Package Exploded Cross-Sectional	51
Figure 5-8.	C4 Package with Heat Sink Mounted to a Printed-Circuit Board	53
Figure 5-9.	Thermal Performance of Select Thermal Interface Material	55
Figure 5-10.	Example of a Pin-Fin Heat-Sink-to-Ambient Thermal Resistance versus Airflow Velocity	57



List of Tables

Table 1-1.	750CL Processor Version Register (PVR)	12
Table 2-1.	PowerPC 750CL Microprocessor Block Diagram	13
Table 2-2.	750CL General Parameters	14
Table 3-1.	Absolute Maximum Ratings	15
Table 3-2.	Recommended Operating Conditions	15
Table 3-3.	Package Thermal Characteristics	16
Table 3-4.	DC Electrical Specifications	16
Table 3-5.	Power Consumption	17
Table 3-6.	Clock AC Timing Specifications	18
Table 3-7.	60x Bus Input AC Timing Specifications	21
Table 3-8.	60x Bus Output AC Timing Specifications	24
Table 3-9.	JTAG AC Timing Specifications (Independent of SYSCLK)	27
Table 4-1.	Pinout Listing for the FCPBGA Package	34
Table 5-1.	750CL Microprocessor PLL Configuration	37
Table 5-2.	Recommended Decoupling Capacitor Specifications	40
Table 5-3.	Driver Impedance Characteristics	44
Table 5-4.	Input/Output Usage	46
Table 5-5.	750CL Heat-Sink Vendors	52
Table 5-6.	750CL Thermal Interface and Adhesive Materials Vendors	56
Table 5-7.	Summary of Mode Select	58
Table 5-8.	TAP Pins	59
Table 5-9.	Instruction Encodings	60
Table 5-10.	JTAG Instructions	60



1. General Information

The IBM® PowerPC® 750™CL RISC microprocessor is a 32-bit implementation of the IBM PowerPC family. This document contains pertinent physical and electrical characteristics of the IBM PowerPC 750CL RISC Microprocessor Revision DD2.x Single Chip Module (SCM). The PowerPC 750CL Microprocessor is also referred to as the 750CL throughout this document.

1.1 Features

This section summarizes the features of the 750CL implementation of the PowerPC Architecture™. Major features of the 750CL include the following:

- Branch processing unit
 - Fetches four instructions per clock
 - Processes one branch per cycle and can resolve two speculations
 - Executes single speculative stream during fetch of another speculative stream
 - Has a 512-entry branch history table (BHT) for dynamic prediction
- Dispatch unit
 - Has full hardware detection of dependencies, which are resolved in the execution units
 - Dispatches two instructions to six independent units (system, branch, load/store, fixed-point unit 1, fixed-point unit 2, or floating-point)
 - Has serialization control (predispatch, postdispatch, execution, serialization)
- Decode
 - Register file access
 - Forwarding control
 - Partial instruction decode
- Load/store unit
 - Has single-cycle load or store cache access (byte, halfword, word, doubleword)
 - Has effective address generation
 - Allows hits under misses (one outstanding miss)
 - Has single-cycle misaligned access within a doubleword boundary
 - Has alignment, zero padding, sign extend for integer register file
 - Converts floating-point internal format (using alignment and normalization)
 - Sequences for load/store multiples and string operations
 - Has store gathering
 - Has cache and translation lookaside buffer (TLB) instructions
 - Supports big-endian and little-endian byte addressing
 - Supports misaligned little-endian in hardware

- Fixed-point units
 - Fixed-Point Unit 1 (FXU1): multiply, divide, shift, rotate, arithmetic, logical
 - Fixed-Point Unit 2 (FXU2): shift, rotate, arithmetic, logical
 - Single-cycle arithmetic, shift, rotate, logical
 - Multiply and divide support (multi-cycle)
 - Early out multiply
- Floating-point unit
 - Support for IEEE-754 standard single-precision and double-precision floating-point arithmetic
 - 3-cycle latency, 1-cycle throughput, single-precision multiply-add
 - 3-cycle latency, 1-cycle throughput, double-precision add
 - 4-cycle latency, 2-cycle throughput, double-precision multiply-add
 - Hardware support for divide
 - Hardware support for denormalized numbers
 - Time deterministic non-IEEE mode
- System unit
 - Executes CR logical instructions and miscellaneous system instructions
 - Has special register transfer instructions
- Level 1 (L1) cache structure
 - 32K, 32-byte line, 8-way set associative instruction cache
 - 32K, 32-byte line, 8-way set associative data cache
 - Single-cycle cache access
 - Pseudo least-recently-used (PLRU) replacement
 - Copy-back or write-through data cache (on a page per page basis)
 - Supports PowerPC memory coherency modes
 - Nonblocking instruction and data cache (supports hits under one outstanding miss)
 - No snooping of instruction cache
- Memory management unit
 - 128 entry, 2-way set associative instruction TLB
 - 128 entry, 2-way set associative data TLB
 - Hardware reload for TLBs
 - Eight instruction block address translation (BAT) arrays and eight data BATs
 - Virtual memory support for up to 4 petabytes (2^{52}) virtual memory
 - Real memory support for up to 4 gigabytes (2^{32}) of physical memory
- Level 2 (L2) cache
 - 256 KB, 64-byte line, 2-way set associative on-chip cache memory
 - Internal L2 cache controller with 2K-entry tag array
 - Copy-back or write-through data cache (on a page basis, or for all L2)

- 64-byte cache line organized as two 32-byte sectors
- L2 frequency at core speed
- Selectable 32-byte, 64-byte, or 128-byte L2 cache loads
- Error correction code (ECC) protection on cache array
- Bus interface
 - Compatible with the 60x processor interface
 - Has a 32-bit address bus
 - Has a 64-bit data bus (also supports 32-bit data bus mode)
 - Supports bus-to-core frequency multipliers of 2x, 2.5x, 3x, 3.5x, 4x, 4.5x, 5x, 5.5x, 6x, 6.5x, 7x, 7.5x, 8x, 8.5x, 9x, 9.5x, and 10x
 - Bus transaction pipeline depth of 2, 3, or 4 transactions (selectable)
- Testability
 - Level sensitive scan design (LSSD)
 - JTAG interface

1.2 Processor Version Register

The 750CL has the following Processor Version Register (PVR) values for the respective design revision levels.

Table 1-1. 750CL Processor Version Register (PVR)

750CL Design Revision Level	PVR
DD2.0	0x00087210

1.3 Part Number Information

IBMPPC750CLGEQ8023

Process Technology	G = 10KE		
Design Revision Level	E = DD2.0		
Package Type	Q = Lead-free flip chip plastic ball grid array (FCPBGA)		
Nominal Core Frequency and Recommended Operating V_{DD} Range	Part Designator	Max. Core Frequency	Recommended V_{DD} Range
	A0	1 GHz	1.20 V to 1.30 V
	90	900 MHz	1.15 V to 1.25 V
	80	800 MHz	1.10 V to 1.20 V
	73	733 MHz	1.10 V to 1.20 V
	60	600 MHz	1.00 V to 1.10 V
	50	500 MHz	0.95 V to 1.05 V
40	400 MHz	0.90 V to 1.00 V	
Application Conditions	$T_J = 0^{\circ}\text{C}$ to 105°C		
Reliability Grade	3 = Grade 3; less than 100 failures in time (FIT) average failure rate (AFR). See note 3.		

Notes:

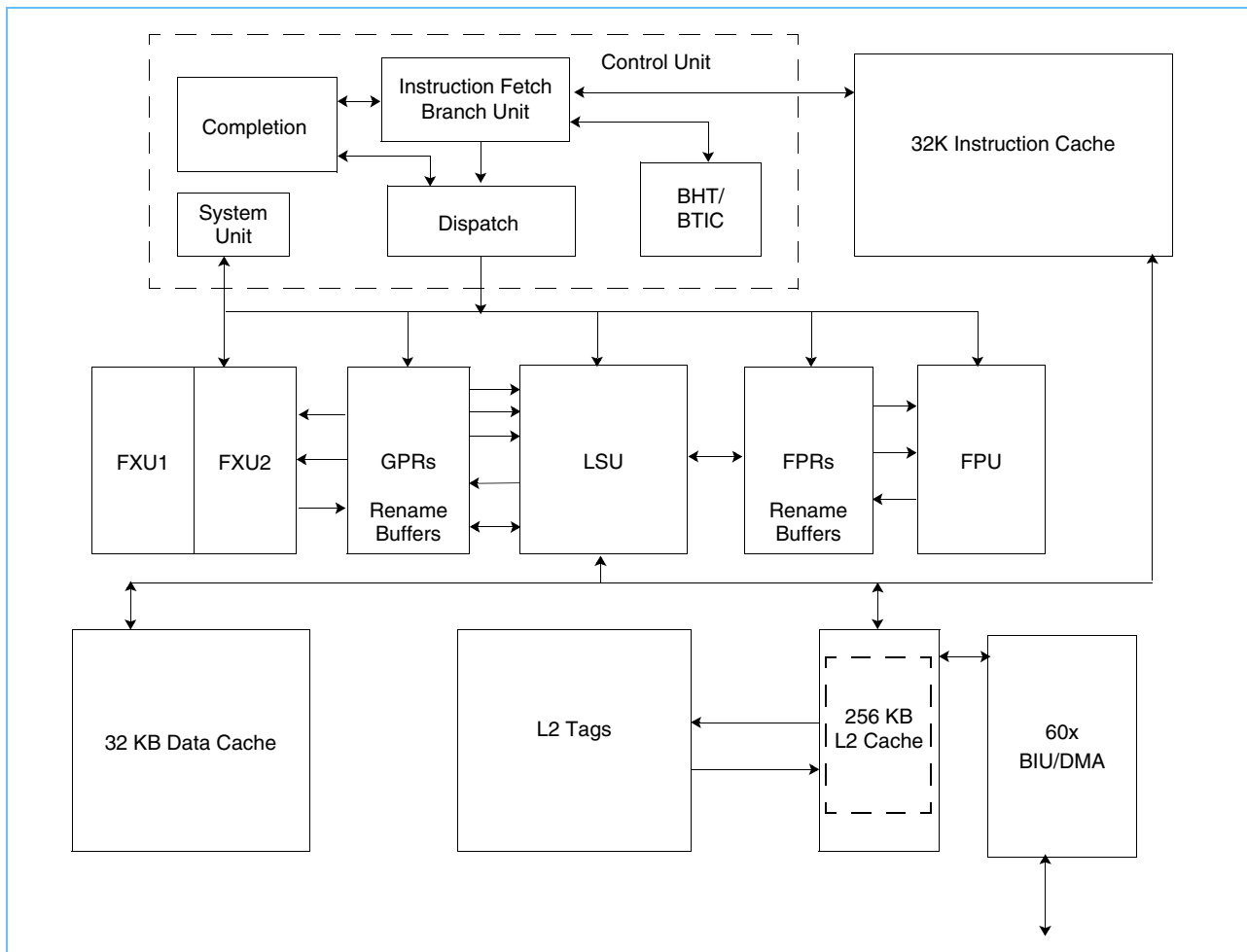
- The T_J range, nominal core frequency, and V_{DD} range specified by the part number become part of the recommended operating conditions for the part number. Also see *Table 3-2, Recommended Operating Conditions*, on page 15.
- The lower voltage shown in the recommended V_{DD} range is the minimum V_{DD} at which the part will operate while at the maximum T_J and maximum core frequency. If V_{DD} decreases below the minimum value, some parts will not operate correctly at maximum T_J and maximum core frequency.
- Some early DD2.0 part numbers (IBMPPC750CLGEQ4024, IBMPPC750CLGEQ5024, IBMPPC750CLGEQ6024, IBMPPC750CLGEQ7324, IBMPPC750CLGEQ8024, IBMPPC750CLGEQ9024, IBMPPC750CLGEQA024) contained a "4" for the reliability grade. Subsequent reliability testing showed that these parts qualified as reliability grade 3. The part numbers were then changed to show the actual reliability grade. All of the IBMPPC750CLGEQxxx4 parts are grade 3 reliability.

2. Overview

The IBM PowerPC 750CL RISC Microprocessor, also called the 750CL, is targeted for high-performance, low-power systems using a 60x bus. The 750CL also includes an internal 256 KB L2 cache with an on-board error correction code (ECC) algorithm.

2.1 Block Diagram

Table 2-1. PowerPC 750CL Microprocessor Block Diagram



2.2 General Parameters

Table 2-2. 750CL General Parameters

Item	Description
Technology	90 nm copper silicon-on-insulator (SOI) technology Low-K dielectric 8 layer metal wirings CMOS 10KE
Die Size	15.92 sq. mm (3.99 × 3.99 mm)
Logic design	Fully static
Package	278-pin flip chip plastic ball grid array (FCPBGA) 21 × 21 mm (1.0 mm pitch) 0.6 mm ball size
Core power supply	0.95 V nominal to 1.25 V nominal, depending on the part number
I/O power supply	1.15 V nominal or 1.8 V nominal

3. Electrical and Thermal Characteristics

This section provides AC and DC electrical specifications and thermal characteristics for the 750CL.

3.1 DC Electrical Characteristics

The tables in this section describe the DC electrical characteristics for the 750CL.

Table 3-1. Absolute Maximum Ratings

Characteristic	Symbol	1.15 V	1.8 V	Units	Notes
Core supply voltage	V_{DD}	-0.3 to 1.4	-0.3 to 1.4	V	3, 4
Phase-locked loop (PLL) supply voltage	AV_{DD}	-0.3 to 1.4	-0.3 to 1.4	V	3, 4, 5
60x bus supply voltage	OV_{DD}	-0.3 to 1.4	-0.3 to 2.0	V	3, 4
Input voltage	V_{IN}	-0.3 to 1.4	-0.3 to 2.0	V	2
Storage temperature range	T_{STG}	JEDEC J-STD-033		°C	

Notes:

- Functional and tested operating conditions are given in *Table 3-2 Recommended Operating Conditions*. Absolute maximum ratings are stress ratings only, and functional operation at the maximums is not guaranteed. Stresses beyond those listed above may affect device reliability or cause permanent damage to the device.
- Caution:** Transient V_{IN} overshoots of up to $OV_{DD} + 0.8$ V, with a maximum of 2.6 V for 1.8 V operation, and undershoots down to $GND - 0.8$ V, are allowed for up to 5 ns.
- Caution:** OV_{DD} must not exceed V_{DD}/AV_{DD} by more than 1.8 V continuously. OV_{DD} may exceed V_{DD}/AV_{DD} by up to 2.0 V for up to 20 ms during power-on or power-off. OV_{DD} must not exceed V_{DD}/AV_{DD} by more than 2.0 V for any amount of time.
- Caution:** V_{DD}/AV_{DD} must not exceed OV_{DD} by more than 1.0 V continuously. V_{DD}/AV_{DD} may exceed OV_{DD} by up to 1.4 V for up to 20 ms during power-on or power-off. V_{DD}/AV_{DD} must not exceed OV_{DD} by more than 1.4 V for any amount of time.
- Caution:** AV_{DD} must not exceed V_{DD} by more than 0.5 V at any time.
- Electrostatic discharge (ESD) ratings:
 - M = 200 V EIA/JEDEC Standard JESD22-A115-A
 - CDM = 800 V JEDEC TM C101B.01
 - HBM = 1000 V EIA/JEDEC Standard JESD22-A114-C

Table 3-2. Recommended Operating Conditions

Characteristic	Symbol	Value	Unit	Notes
Core supply voltage	V_{DD}	See note 2	V	2
60X bus I/O supply voltage (1.15 V)	OV_{DD}	1.15±.05	V	
60X bus I/O supply voltage (1.8 V)	OV_{DD}	1.8±5%	V	
PLL supply voltage	AV_{DD}	See note 2	V	1, 2
Input voltage	V_{IN}	GND to OV_{DD}	V	
Die-junction temperature	T_J	0 to 105	°C	

Notes:

- See *Section 5.3, PLL Power Supply Filtering*, on page 39 for AV_{DD} noise filtering requirements.
- The core supply voltage (V_{DD}) and PLL supply voltage (AV_{DD}) are specified by the part number. See *Section 1.3, Part Number Information*, on page 12 for the recommended operating V_{DD} range for each part number.

Table 3-3. Package Thermal Characteristics

Characteristic	Symbol	Value	Unit
FCPBGA package thermal resistance, junction-to-case thermal resistance (typical)	θ_{JC}	2	$^{\circ}\text{C/W}$
FCPBGA package thermal resistance, junction-to-lead thermal resistance (typical)	θ_{JB}	13	$^{\circ}\text{C/W}$

Note: θ_{JC} is the internal resistance from the junction to the top surface of the package. A heatsink is generally required to ensure that the die junction temperature is maintained within the limits defined in *Table 3-2, Recommended Operating Conditions*, on page 15.

Note: Thermal resistance values are based on modeling only.

Table 3-4. DC Electrical Specifications

See *Table 3-2* on page 15 for recommended operating conditions.

Characteristic	Symbol	Value		Unit	Notes
		Min.	Max.		
Input high voltage	$V_{IH(1.15V)}$	0.75	—	V	
	$V_{IH(1.8V)}$	1.20	—	V	
Input low voltage	$V_{IL(1.15V)}$	—	0.40	V	
	$V_{IL(1.8V)}$	—	0.60	V	
Input leakage current, V_{IN} = applies to all OV_{DD} levels	I_{IN}	—	10	μA	
Hi-Z (off state) leakage current, V_{IN} = applies to all OV_{DD} levels	I_{TSI}	—	10	μA	
Output high voltage, $I_{OH} = -4$ mA	$V_{OH(1.15V)}$	0.90	—	V	
Output high voltage, $I_{OH} = -4$ mA	$V_{OH(1.8V)}$	1.30	—	V	
Output low voltage, $I_{OL} = 4$ mA	$V_{OL(1.15V)}$	—	0.30	V	
Output low voltage, $I_{OL} = 4$ mA	$V_{OL(1.8V)}$	—	0.40	V	
Capacitance, $V_{IN} = 0$ V, $f = 1$ MHz	C_{IN}	—	5	pF	1
Single-Ended SYSCLK Clock Specifications					
SYSCLK input high voltage	$V_{IH(1.15V)}$	0.8	—	V	
	$V_{IH(1.8V)}$	1.20	—	V	
SYSCLK input low voltage	$V_{IL(1.15V)}$	—	0.30	V	
	$V_{IL(1.8V)}$	—	0.30	V	
Differential SYSCLK Clock Specifications					
SYSCLK and $\overline{\text{SYSCLK}}$ single-ended swing	CSV_{SW}	175	450	mV (P - P)	
SYSCLK - $\overline{\text{SYSCLK}}$ differential swing	CDV_{SW}	350	900	mV (P - P)	
SYSCLK and $\overline{\text{SYSCLK}}$ differential cross point	CDV_{CP}	400	750	mV	
SYSCLK and $\overline{\text{SYSCLK}}$ input capacitance	CC_{IN}	—	5	pF	
Notes:					
1. Capacitance values are guaranteed by design and characterization and are not tested.					

Table 3-5. Power Consumption

See Table 3-2 on page 15 for recommended operating conditions.

Mode	Part Number	V _{DD} Range (For Reference)	Frequency (MHz)	T _J (°C)	Nominal V _{DD} (V)	Power (W)	Notes
Maximum	IBMPPC750CLGEQ40xx	0.90 V to 1.00 V	400	105	0.95	1.7	1, 2, 4
Maximum	IBMPPC750CLGEQ50xx	0.95 V to 1.05 V	500	105	1.00	2.0	1, 2, 4
Maximum	IBMPPC750CLGEQ60xx	1.00 V to 1.10 V	600	105	1.05	2.7	1, 2, 4
Maximum	IBMPPC750CLGEQ73xx	1.10 V to 1.20 V	733	105	1.15	4.8	1, 2, 4
Maximum	IBMPPC750CLGEQ80xx	1.10 V to 1.20 V	800	105	1.15	5.6	1, 2, 4
Maximum	IBMPPC750CLGEQ90xx	1.15 V to 1.25 V	900	105	1.20	8.4	1, 2, 4
Maximum	IBMPPC750CLGEQA0xx	1.24 V to 1.30 V	1000	105	1.27	10.5	1, 2, 4
Nap/Sleep Maximum	IBMPPC750CLGEQ40xx	—	400	50	0.95	0.4	1, 2, 4
Nap/Sleep Maximum	IBMPPC750CLGEQ50xx	—	500	50	1.00	0.52	1, 2, 4
Nap/Sleep Maximum	IBMPPC750CLGEQ60xx	—	600	50	1.05	0.68	1, 2, 4

Notes:

1. These values apply for all valid 60x buses. The values do not include I/O supply power (OV_{DD}) or PLL supply power (AV_{DD}). OV_{DD} power is system dependent, but is typically less than 2% of V_{DD} power.
2. For each part number, maximum power is measured at nominal V_{DD} and at the indicated T_J and frequency, using parts with worst-case process parameters and running RC5-72. RC5-72 runs hotter than typical production code, but it is possible to design code that runs even hotter than RC5-72.
3. For each part number, typical power is an estimate of the average value modeled for process parameter parts in a system executing typical applications at the indicated nominal V_{DD}, frequency, and T_J. Note that typical power cannot be used in the design of the power supply or cooling system.
4. Previous IBM PowerPC processors specified the power dissipation of the processor without regard to the part number. In contrast, the 750CL power dissipation specification is specific to a particular part number. Each power specification is specific to four conditions: processor part number, processor actual operating frequency, processor actual junction temperature, and processor actual V_{DD}.
5. Information on derating the power dissipation of the 750CL over temperature is expected to be available in the second quarter of 2007. Contact ppcsupp@us.ibm.com for information.

3.2 AC Electrical Characteristics

This section provides the AC electrical characteristics for the 750CL. After fabrication, parts are sorted by maximum processor core frequency as shown in *Section 3.3, Clock Specifications*, on page 18 and tested for conformance to the AC specifications for that frequency. The processor core frequency is determined by the bus (SYSCLK) frequency and the settings of the PLL configuration (PLL_CFG[0:4]) signals.

3.3 Clock Specifications

Table 3-6 provides the clock AC timing specifications as defined in Figure 3-1.

Table 3-6. Clock AC Timing Specifications

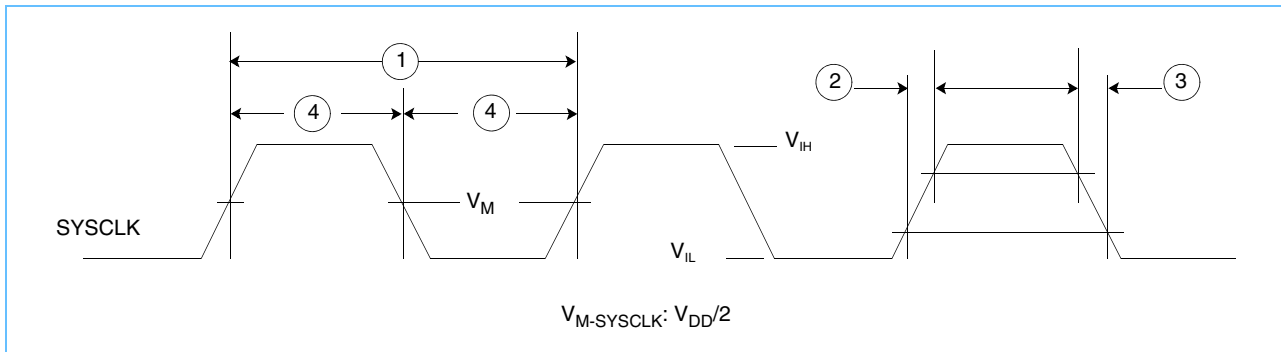
See Table 3-2 on page 15 for recommended operating conditions.^{1, 3, 5}

Figure 3-1 Timing Reference	Characteristic	Value		Unit	Notes
		Min.	Max.		
	Processor frequency	400	1000	MHz	
	SYSClk frequency	50	240	MHz	
	Internal PLL relock time	—	100	μs	4
	Internal PLL reset time	10	—	μs	5
Single-Ended SYSClk Specifications					
2, 3	SYSClk slew rate, single-ended	2.50	10.0	V/ns	2
4	SYSClk duty cycle measured at $V_{m-SYsClk}$, single-ended	25	75	%	
	Jitter, over any 10 consecutive cycles	—	160	ps	6
	Jitter, over any 50 consecutive cycles	—	240	ps	6
	Jitter, over any 100 consecutive cycles	—	380	ps	6
	Jitter, over any 1000 consecutive cycles	—	640	ps	6
Differential SYSClk and \overline{SYsClk} Specifications					
2, 3	SYSClk and \overline{SYsClk} slew rate, differential	1.50	3.0	V/ns	7
4	SYSClk and \overline{SYsClk} duty cycle measured at $V_{m-SYsClk}$, differential	40	60	%	
	Jitter, cycle-to-cycle	—	200	ps (P - P)	
	Jitter, long term	—	2.5	%	8

Notes:

- 1. Caution:** The SYSClk frequency and the PLL_CFG[0:4] settings must be chosen such that the resulting SYSClk (bus) frequency, CPU (core) frequency, and PLL frequency do not exceed their respective maximum or minimum operating frequencies. Refer to the PLL_CFG[0:4] signal description in Table 5-1, 750CL Microprocessor PLL Configuration, on page 37 for valid PLL_CFG[0:4] settings.
- The slew rate for the single-ended SYSClk inputs is measured from 0.4 to 0.75 V.
- Timing is guaranteed by design and characterization, and is not tested.
- Relock timing is guaranteed by design and characterization, and is not tested. PLL-relock time is the maximum amount of time required for PLL lock after a stable V_{DD} and SYSClk are reached during the power-on reset sequence. Also note that hard reset (\overline{HRESET}) must be held asserted for a minimum of 255 bus clocks after the PLL-relock time during the power-on reset sequence.
- Midpoint voltage (V_M) for SYSClk and \overline{SYsClk} is $V_{DD}/2$. The SYSClk and \overline{SYsClk} input voltage range depends on OV_{DD} , but V_M is a function of V_{DD} .
- This is the maximum deviation from nominal in the timing of the rising edge of SYSClk over the indicated number of cycles.
- The slew rate for SYSClk and \overline{SYsClk} is measured between the 10% and 90% points of each clock input.
- Long term jitter is given as a percentage of the input clock period occurring over a 10μs interval.

Figure 3-1. SYSCLK Input Timing Diagram



3.4 Spread Spectrum Clock Generator

3.4.1 Design Considerations

When designing with the spread spectrum clock generator (SSCG), there are a number of design issues that must be taken into account.

SSCG creates a controlled amount of long-term jitter. For a receiving PLL in the 750CL to operate in this environment, it must be able to accurately track the SSCG clock jitter.

The accuracy to which the 750CL PLL can track the SSCG clock is referred to as tracking skew. When performing system timing analysis, the tracking skew must be added or subtracted to the I/O timing specifications because the tracking skew appears as a static phase error between the internal PLL and the SSCG clock.

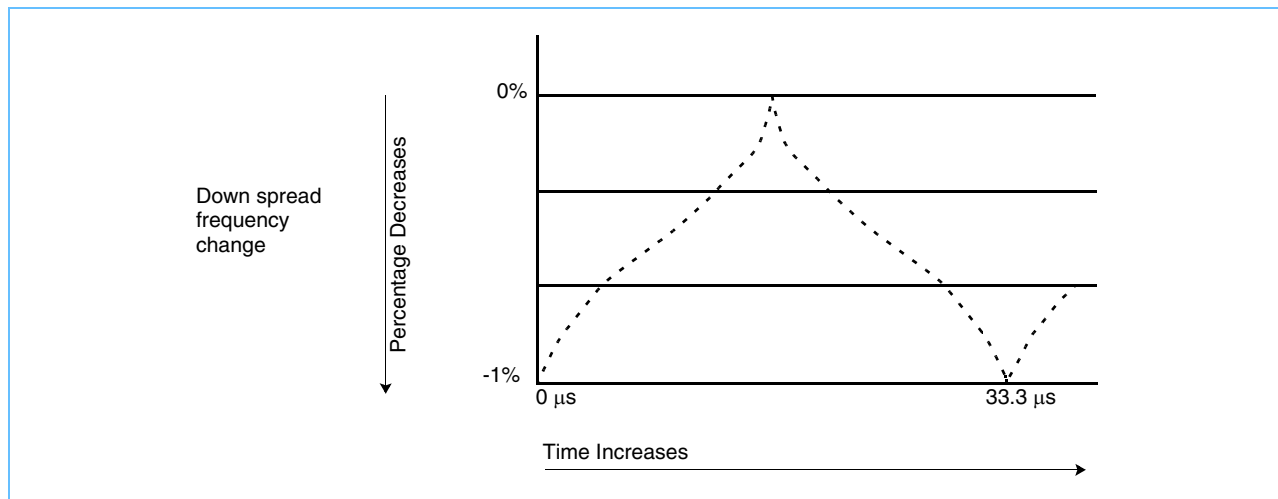
To minimize the impact on I/O timings, the following SSCG configuration is recommended:

- Down spread mode, less than or equal to 1% of the maximum frequency
- A modulation frequency of 32 kHz or less
- Linear sweep modulation or “Hershey’s Kiss” (as in a Lexmark¹ profile) modulation profile as shown in Figure 3-2

In this configuration, the tracking skew is less than 100 ps.

1. See patent 5,631,920.

Figure 3-2. Linear Sweep Modulation Profile



3.5 60x Bus Input AC Specifications

Table 3-7 provides the 60x bus AC timing specifications defined in Figure 3-4 and Figure 3-5 on page 23.

Table 3-7. 60x Bus Input AC Timing Specifications

See Table 3-2 on page 15 for operating conditions.^{1, 4, 5}

Figure 3-4 and 3-5 Timing Reference	Characteristic	Part Numbers \leq 733 MHz		Part Numbers $>$ 733 MHz		Unit	Notes
		Min.	Max.	Min.	Max.		
10a	Input setup: SYSCLK to all inputs valid	1.6	—	1.15	—	ns	8
10c	Mode select input setup to HRESET, TLBISYNC, QACK, and DRTRY	8	—	8	—	SYSCLK cycles	2
11a	Input hold: SYSCLK to inputs invalid	—	600	—	350	ps	
11c	HRESET to mode select input hold TLBISYNC, QACK, and DRTRY	0	—	0	—	SYSCLK cycles	3
V_M	Measurement reference voltage for inputs					—	
V_{IL-AC}	AC timing reference levels	—	0.2	—	0.2	V	6
V_{IH-AC}		$OV_{DD}-0.2$	—	$OV_{DD}-0.2$	—		
Slew Rate	Reference input slew rate	1.0	—	1.0	—	V/ns	7

Notes:

- Input specifications are measured from the midpoint voltage (V_M) of the signal in question to the V_M of the rising edge of the input SYSCLK. Timings are measured at the pin (see Figure 3-4 on page 22). Timing values apply while $OV_{DD} = 1.5$ V nominal and $OV_{DD} = 1.8$ V nominal.
- t_{SYSCLK} is the period of the external clock (SYSCLK) in nanoseconds (ns). The numbers given in the table must be multiplied by the period of SYSCLK to compute the actual time duration (in ns) of the parameter in question.
- This specification is for configuration mode select only. Also note that the HRESET must be held asserted for a *minimum of 255 bus clocks* after the PLL relock time during the power-on reset sequence.
- All values are guaranteed by design, and are not tested.
- See Section 3.5.1 on page 21 and Figure 3-3 on page 22 for input setup timing definitions.
- Input reference signal levels used to establish the timings defined in this table.
- Input slew rate refers to the slew rate between V_{IH-AC} and V_{IL-AC} timing reference levels.
- INT, SMI, MCP, and CHKSTP_IN must remain asserted until recognized by the processor.

3.5.1 Input Setup Timing

The information in this subsection is provided to clarify the criteria used to establish the timings in Table 3-7. The 60x Bus Input AC Timing Specifications shown in Table 3-7 are not altered by this clarification. The valid input signal levels remain V_{IH} and V_{IL} .

The input setup times shown as 10a in Table 3-7 specify the required time from the input signal crossing V_M to the rising edge of SYSCLK crossing V_M .

For the timings in Table 3-7 to be valid, the falling edge of the input signal shown in Table 3-7 is assumed to transition through V_M and cross V_{IL-AC} at the slew rate specified in Table 3-7. Input signals that do not reach the V_{IL-AC} boundary, or slew from V_M to V_{IL-AC} more slowly than specified, will result in longer input setup times.

In the same way, on the rising edge, the input signal must continue past V_M and cross the V_{IH-AC} boundary within the specified minimum slew rate. Input signals that do not reach the V_{IH-AC} boundary within the slew rate specified will result in longer input setup times.

Figure 3-4 on page 22 provides the input timing diagram for the 750CL.

Figure 3-3. Input Timing Definition

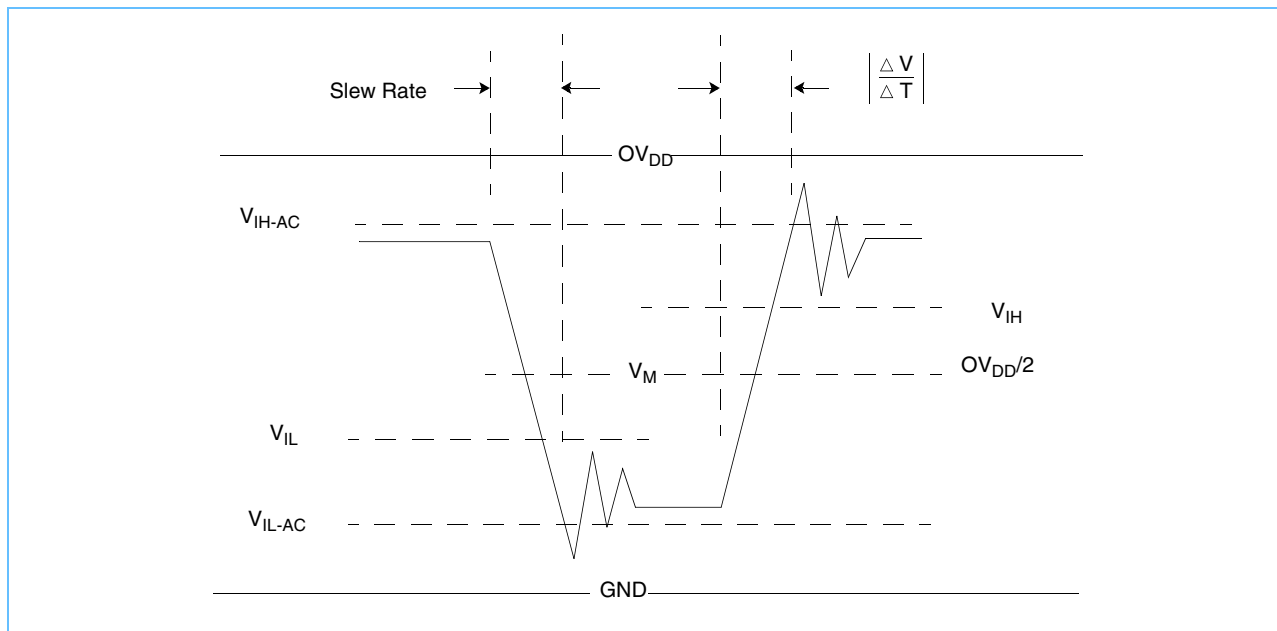


Figure 3-4. Input Timing Diagram

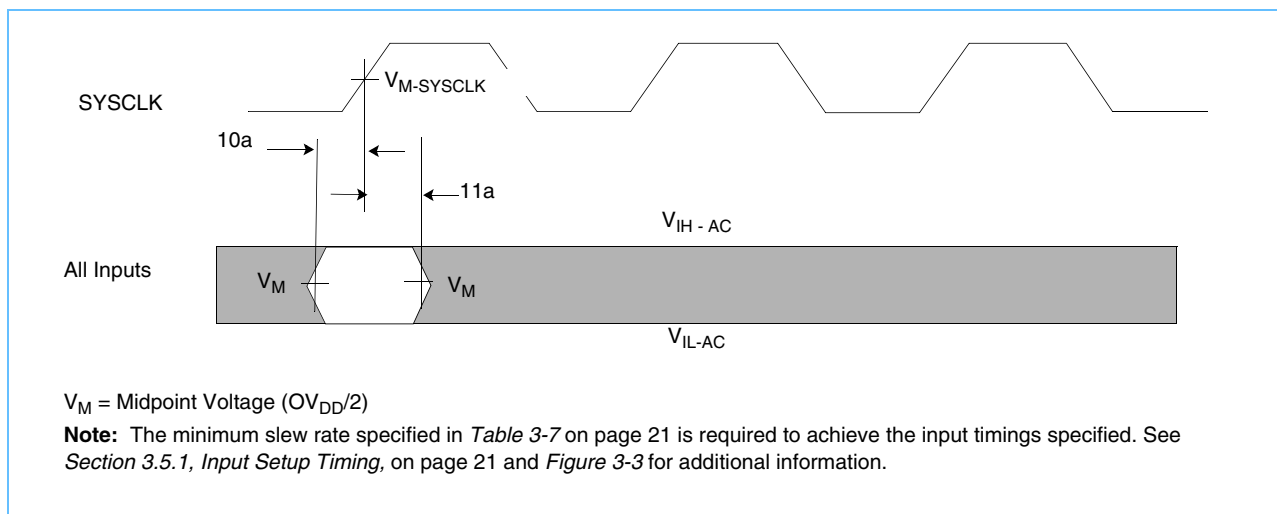
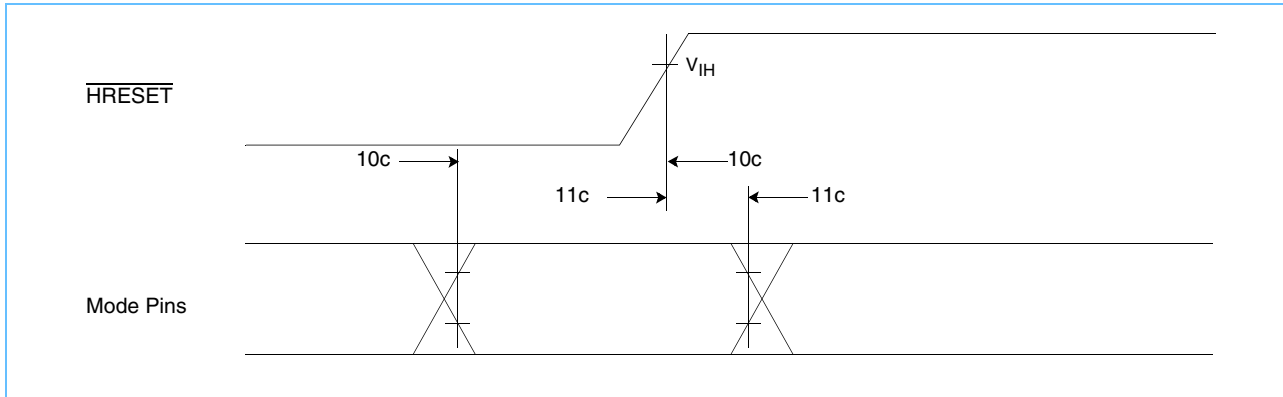


Figure 3-5 provides the mode select input timing diagram for the 750CL.

Figure 3-5. Mode Select Input Timing Diagram



3.6 60x Bus Output AC Specifications

Table 3-8 provides the 60x bus output AC timing specifications for the 750CL as defined in Figure 3-7 on page 26.

Table 3-8. 60x Bus Output AC Timing Specifications
See Table 3-2 on page 15 for operating conditions.^{1, 4, 5}

Figure 3-7 Timing Reference	Characteristic	Part Numbers ≤ 733 MHz		Part Numbers > 733 MHz		Unit	Notes
		Min.	Max.	Min.	Max.		
12	SYCLK to Output Driven (Output Enable Time)	200	—	200	—	ps	
13	SYCLK to Output Valid	—	2.6	—	2.6	ns	
14	SYCLK to Output Invalid (Output Hold)	500	—	500	—	ps	
15	SYCLK to Output High Impedance (all signals except address retry [$\overline{\text{ARTRY}}$], address bus busy [$\overline{\text{ABB}}$], and data bus busy [$\overline{\text{DBB}}$])	—	2.8	—	2.8	ns	
16	SYCLK to $\overline{\text{ABB}}$ and $\overline{\text{DBB}}$ high impedance after pre- charge	—	1.0	—	1.0	t_{SYCLK}	2
17	SYCLK to $\overline{\text{ARTRY}}$ high impedance before precharge	—	2.7	—	2.7	ps	
18	SYCLK to $\overline{\text{ARTRY}}$ precharge enable	$(0.2 \times t_{\text{SYCLK}}) + 0.2$	—	$(0.2 \times t_{\text{SYCLK}}) + 0.2$	—	ps	3
19	Maximum delay to $\overline{\text{ARTRY}}$ precharge	—	1.0	—	1.0	t_{SYCLK}	2, 3
20	SYCLK to $\overline{\text{ARTRY}}$ high impedance after precharge	—	2.0	—	2.0	t_{SYCLK}	2, 3

Notes:

- All output specifications are measured from the V_M of the rising edge of SYCLK to the midpoint of the output signal in question using a test load as shown in Figure 3-6 on page 25. Both input and output timings are measured at the pin. Timings are determined by design. Timing values apply while $OV_{DD} = 1.5$ V nominal and $OV_{DD} = 1.8$ V nominal.
- t_{SYCLK} is the period of the external bus clock (SYCLK) in nanoseconds (ns). The numbers given in the table must be multiplied by the period of SYCLK to compute the actual time duration of the parameter in question.
- Nominal precharge width for $\overline{\text{ARTRY}}$ is $1.0 t_{\text{SYCLK}}$.
- Guaranteed by design and characterization, and not tested.
- See Figure 3-6 on page 25 and Figure 3-7 on page 26 for output loading and timing definitions.

Figure 3-6. Output Valid Timing Definition

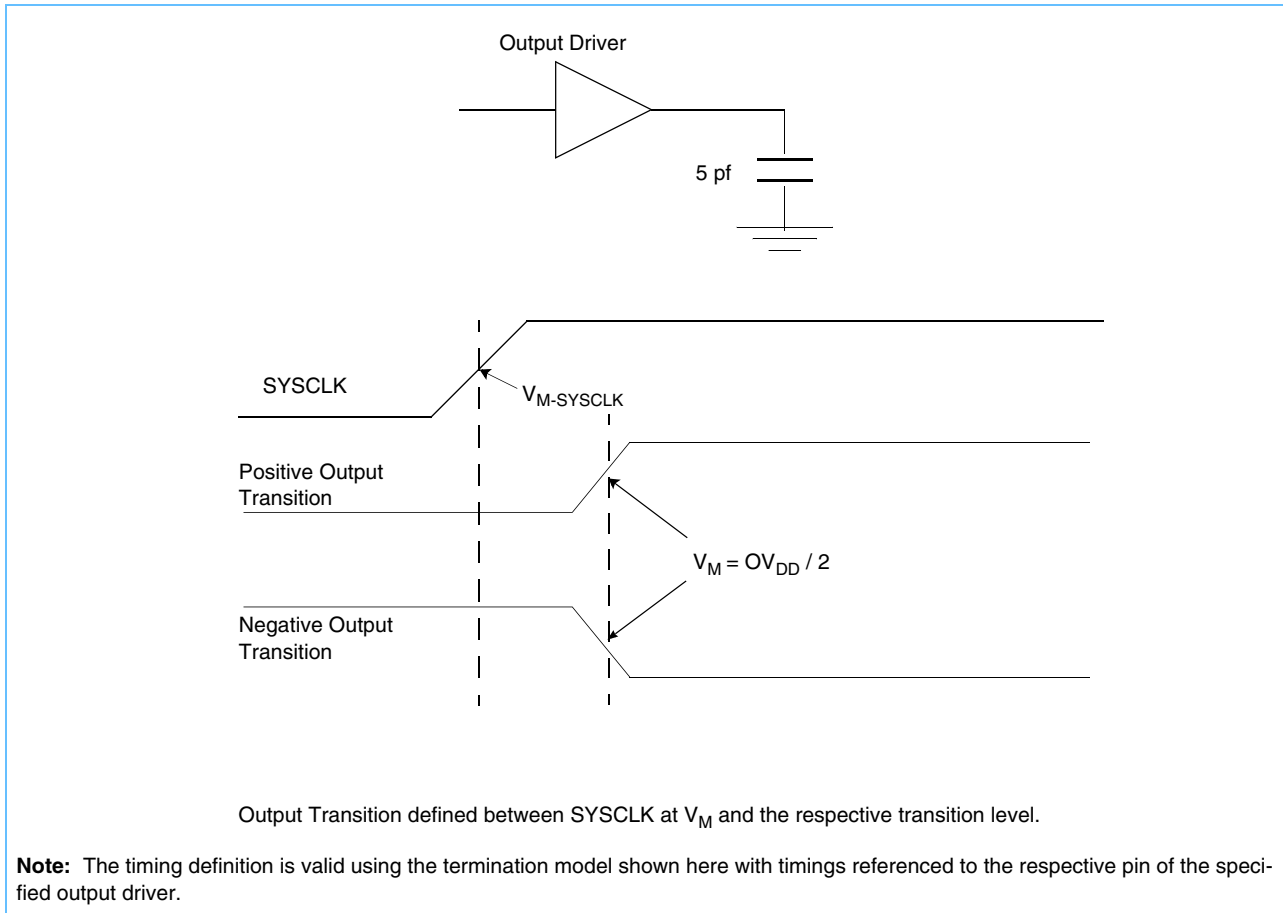
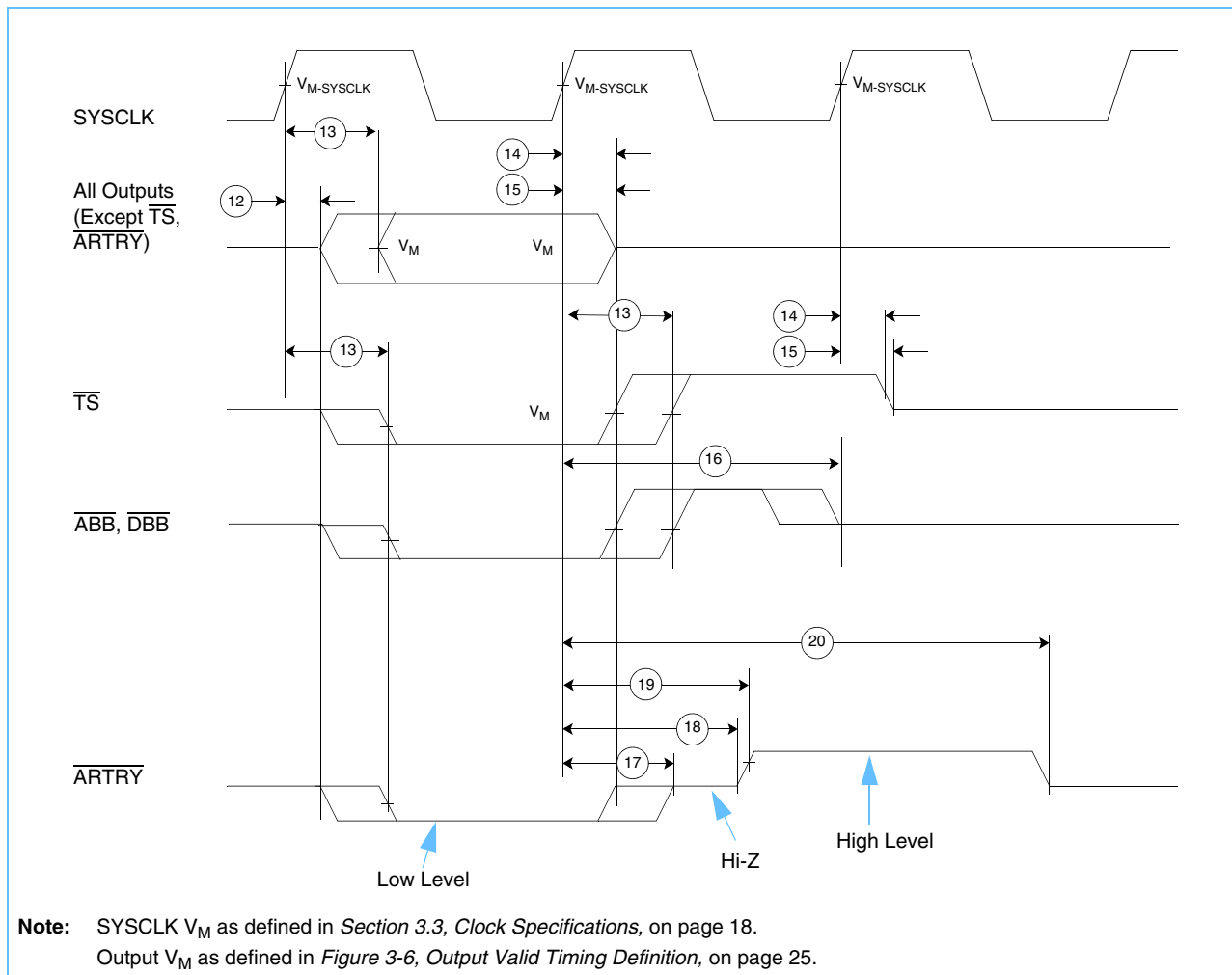


Figure 3-7. Output Timing Diagram for 750CL



3.6.1 IEEE 1149.1 AC Timing Specifications

Table 3-9 provides the IEEE 1149.1 (JTAG) AC timing specifications. The five JTAG signals are: test data input (TDI), test data output (TDO), test mode select (TMS), test clock (TCK), and test reset ($\overline{\text{TRST}}$).

Table 3-9. JTAG AC Timing Specifications (Independent of SYSCLK)
 See Table 3-2 on page 15 for operating conditions.

Number	Characteristic	Min.	Max.	Unit	Notes
	TCK frequency of operation	0	25	MHz	
1	TCK cycle time	40	—	ns	
2	TCK clock pulse width measured at +0.55 V	15	—	ns	
3	TCK rise and fall times	0	2	ns	4
4	Specification obsolete, intentionally omitted	—	—	—	
5	$\overline{\text{TRST}}$ assert time	25	—	ns	1
6	Boundary-scan input data setup time	1	—	ns	2
7	Boundary-scan input data hold time	3	—	ns	2
8	TCK to output data valid	2	5	ns	3, 5
9	TCK to output high impedance	2	5	ns	3, 4
10	TMS, TDI data setup time	1	—	ns	
11	TMS, TDI data hold time	1	—	ns	
12	TCK to TDO data valid	1	5	ns	5
13	TCK to TDO high impedance	2	5	ns	4
14	TCK to output data invalid (output hold)	0	—	ns	

Notes:

1. $\overline{\text{TRST}}$ is an asynchronous level sensitive signal. Guaranteed by design.
2. Non-JTAG signal input timing with respect to TCK.
3. Non-JTAG signal output timing with respect to TCK.
4. Guaranteed by characterization and not tested.
5. Minimum specification guaranteed by characterization and not tested.

Figure 3-8 provides the JTAG clock input timing diagram.

Figure 3-8. JTAG Clock Input Timing Diagram

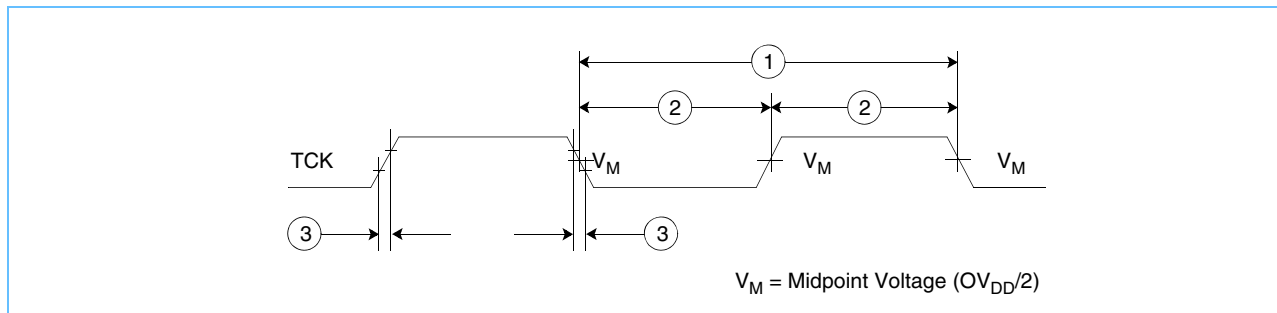


Figure 3-9 provides the \overline{TRST} timing diagram.

Figure 3-9. \overline{TRST} Timing Diagram

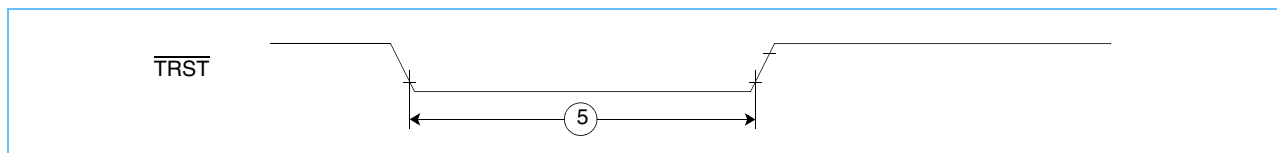


Figure 3-10 provides the boundary-scan timing diagram.

Figure 3-10. Boundary-Scan Timing Diagram

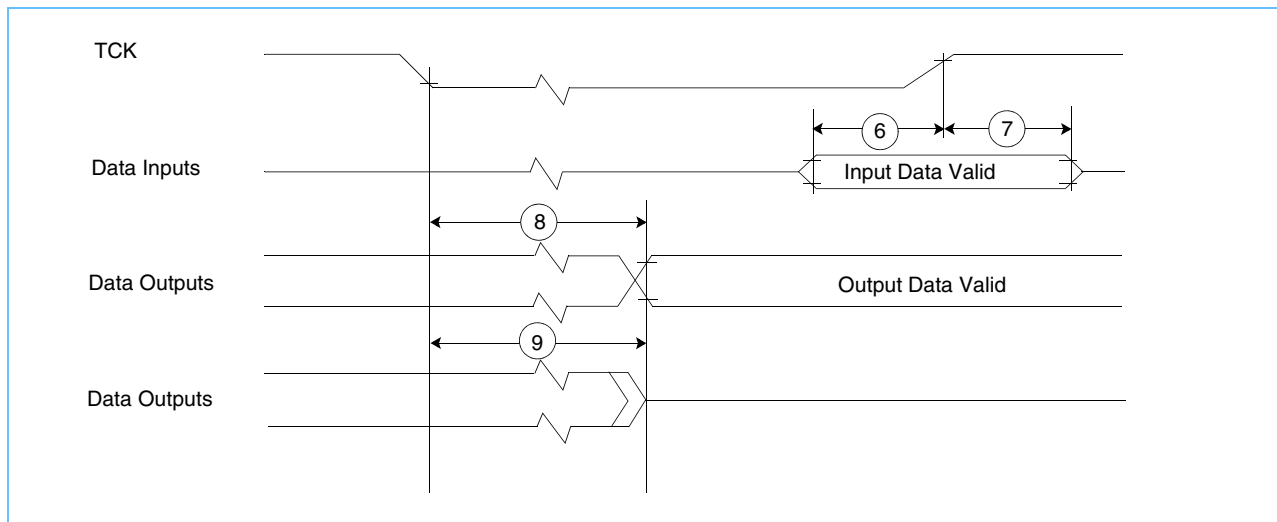
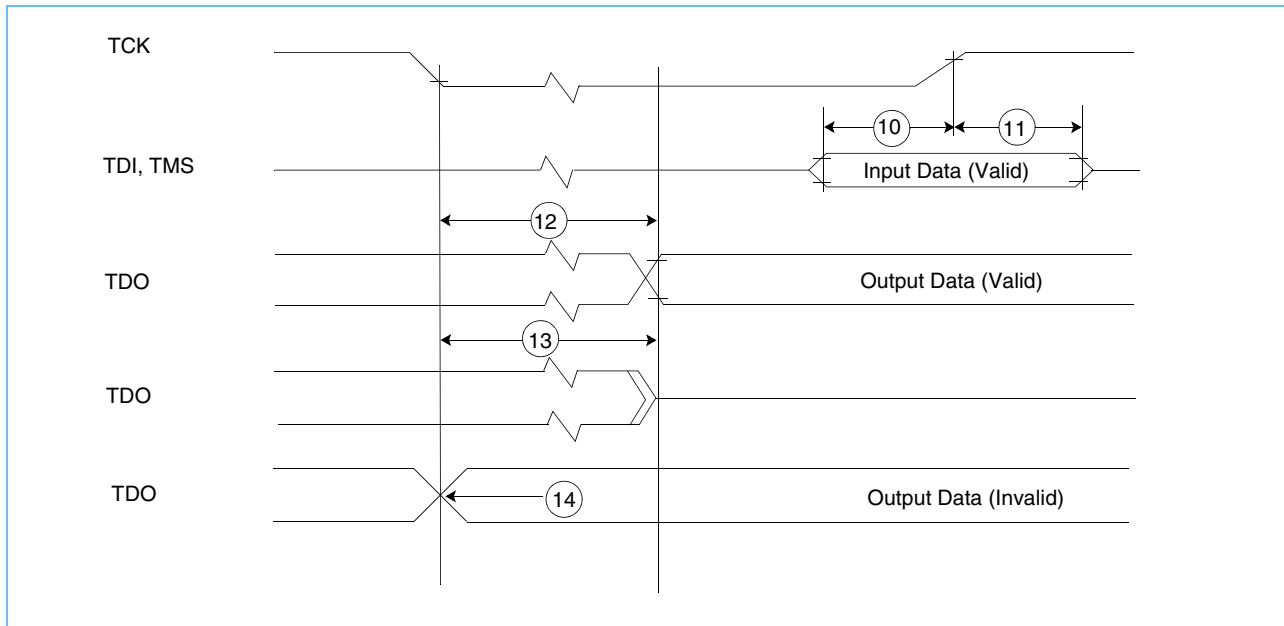


Figure 3-11 provides the test access port timing diagram.

Figure 3-11. Test Access Port Timing Diagram



4. Dimensions and Signal Assignments

IBM offers a flip chip plastic ball grid array (FCPBGA) that supports 278 balls for the 750CL package. This is a signal and power compatible footprint to the PowerPC 750GX RISC microprocessor module. The 750CL pinout, power dissipation, timing, and signal definitions are not completely identical to the 750GX. See *PowerPC 750CL DD1.2 Differences from 750GX Application Note* for details.

4.1 Package

4.1.1 Overview

FCPBGA packages are suited for applications requiring much higher I/O counts and better electrical performance than that offered by enhanced plastic ball grid array (EPBGA) and high-performance ball grid array (HPBGA) packages. They are recommended for applications having medium electrical performance and power dissipation requirements.

4.1.2 Features

- Low dielectric-constant organic build-up substrate
- Flip chip die attach; BGA second-level interconnect
- Two-layer core
- JEDEC-compliant packages

4.2 Mechanical Specifications

Figure 4-1. Package Drawing (Bottom and Side View)

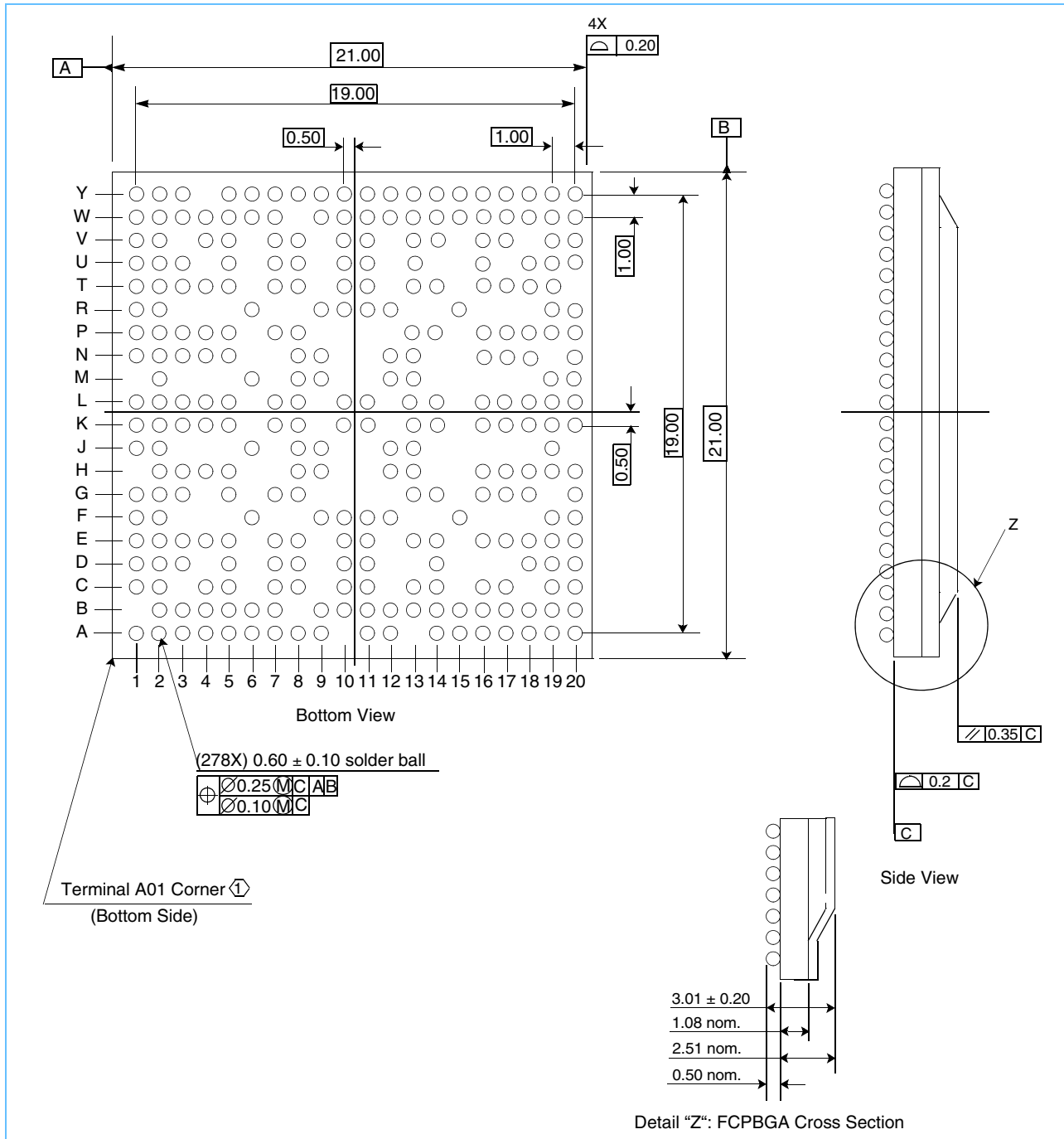
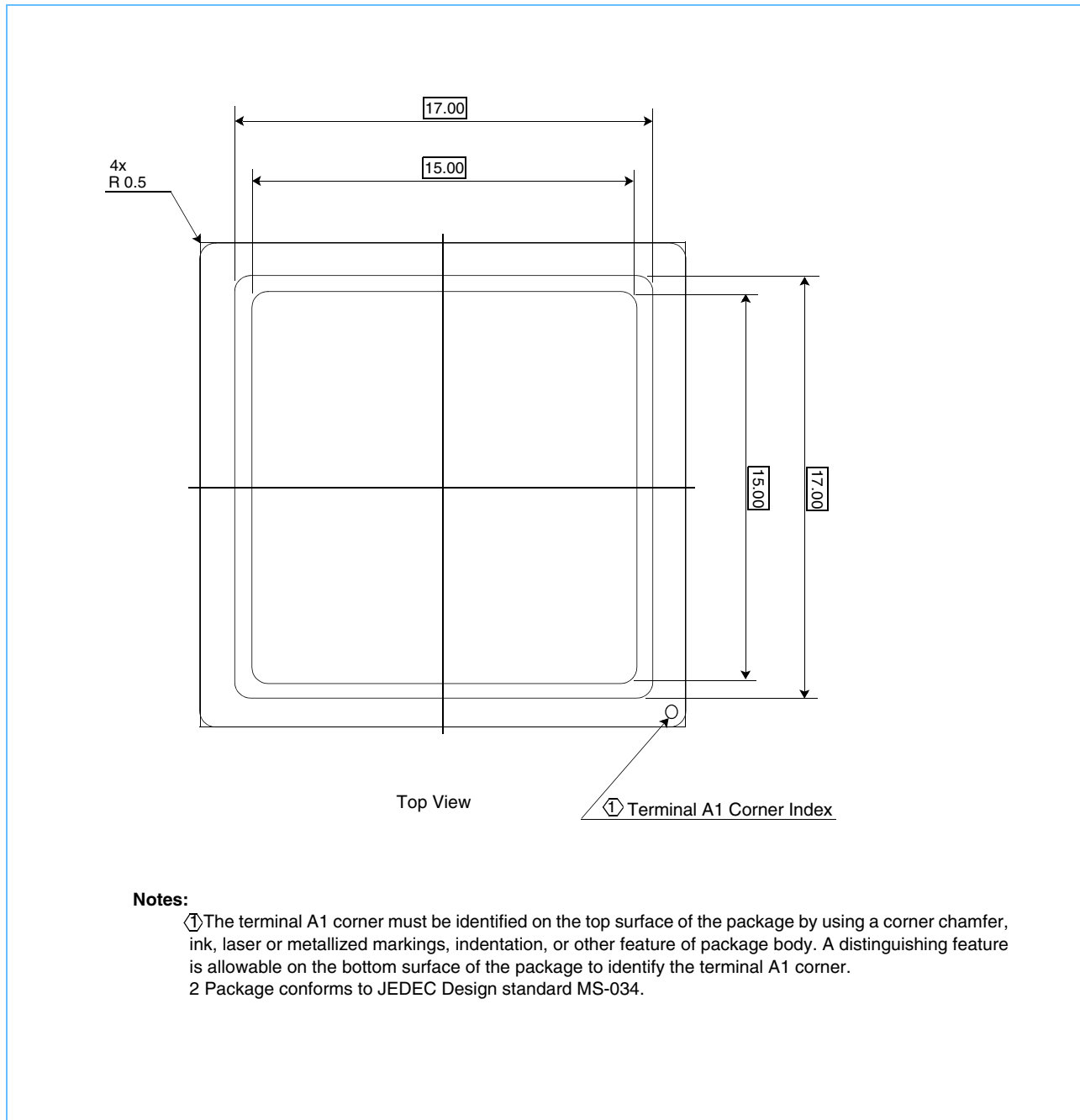


Figure 4-2. Package Drawing (Top View)



Notes:

- ① The terminal A1 corner must be identified on the top surface of the package by using a corner chamfer, ink, laser or metallized markings, indentation, or other feature of package body. A distinguishing feature is allowable on the bottom surface of the package to identify the terminal A1 corner.
- 2 Package conforms to JEDEC Design standard MS-034.

4.3 Microprocessor Ball Placement

Figure 4-3. PowerPC 750CL Microprocessor Ball Placement

20	A6	A8	A3	A2	A0	DH31	DH25	DH26	NB	DH22	DH19	DH18	DH16	DH15	DH14	NB	DH9	DH10	DH4	DH2
19	A13	GND	A5	A4	A1	DH29	NB	DH28	DH23	DH24	DH21	DH20	NB	DH17	DH11	DH8	DH6	DH5	GND	DH3
18	A11	A10	OVDD	GND	OVDD	GND	OVDD	GND	VDD	VDD	GND	OVDD	GND	OVDD	GND	OVDD		DH0	PLL_CFG0	
17	A12	TT1	OVDD		A9	DH30	DH27		GND	GND	DH12	DH13		DH1		OVDD	PLL_CFG1	PLL_CFG2		
16	A14	A15	GND	NB	A7	GND	OVDD	OVDD	OVDD	OVDD	GND			DH7	PLL_CFG3	GND	SYSCLK	EFUSE		
15	TT3	TS			VDD									VDD			SYSCLK	AVDD		
14	TSIZ0	TT2	OVDD	TT0	GND	OVDD			GND	GND			OVDD	GND	NB	OVDD	PLL_CFG4	AGND		
13	NB	TT4	GND	NB	VDD	GND	GND	VDD	VDD	VDD	VDD	GND	GND		VDD	LSSD MODE	GND	L2_TSTCLK	L1_TSTCLK	
12	TA	TSIZ1			VDD		GND	GND			GND	GND		VDD			MCP	CKSTP_OUT		
11	TBST	TSIZ2	VDD	GND	OVDD	GND			VDD	VDD				GND	OVDD	GND	VDD	TLBISYNC	HRESET	
10	NB	A16	VDD	GND	OVDD	GND			GND	GND				GND	OVDD	GND	VDD	SMI	CKSTP_IN	
9	A18	A17			VDD		GND	VDD			VDD	GND		VDD				BVSEL	INT	
8	AACK	NB	GND	A21	VDD		GND	GND	VDD	VDD	VDD	VDD	GND	GND		VDD	QREQ	GND	NB	QACK
7	A20	A19	OVDD	A24	GND	OVDD			GND	GND			OVDD	GND	DBB	OVDD	ARTRY	SRESET		
6	DBWO	A23			VDD			THRMD2			THRM D1			VDD				TEA	ABB	
5	A22	A26	GND	A25	A31	GND	OVDD	OVDD	OVDD	OVDD	GND		CLK_OUT	WT	GND	TDO	DBG			
4	A28	A27	OVDD		DL3	NB	DL13		GND	GND	DL23	DL26		CI		OVDD	BG	NB		
3	A29	A30	OVDD	GND	OVDD	GND			VDD	VDD	GND	OVDD	GND	OVDD	GND	OVDD		DRTRY	BR	
2	DL0	GND	DL2	DL6	DL5	DL11	DL10	DL12	DL16	DL15	DL19	DL20	DL22	DL27	DL28	TCK	DL30	TDI	GND	KVDD
1	DL1	NB	DL4	DL8	DL7	DL9	DL14	NB	DL18	DL17	DL21	NB	DL24	DL25	DL29	DL31	TRST	TMS	GBL	KGND
	A	B	C	D	E	F	G	H	J	K	L	M	N	P	R	T	U	V	W	Y

Note: This view is looking down from above the 750CL placed and soldered on the system board.

NB: There is no ball in this position.

blank: There is no ball in this position.

NC: No connect - do not connect to this ball.

4.4 Pinout Listings

Table 4-1 contains the pinout listing for the 750CL FCPBGA package.

Table 4-1. Pinout Listing for the FCPBGA Package (Sheet 1 of 3)

Signal Name	Pin Number	Active	Input/Output	Notes
A[0:31]	E20, E19, D20, C20, D19, C19, A20, E16, B20, E17, B18, A18, A17, A19, A16, B16, B10, B9, A9, B7, A7, D8, A5, B6, D7, D5, B5, B4, A4, A3, B3, E5.	High	Input/Output	
$\overline{\text{AACK}}$	A8	Low	Input	
$\overline{\text{ABB}}$	Y6	Low	Input/Output	
AGND	Y14	—	—	
$\overline{\text{ARTRY}}$	W7	Low	Input/Output	
AV _{DD}	Y15	—	—	
$\overline{\text{BG}}$	W4	Low	Input	
$\overline{\text{BR}}$	Y3	Low	Output	
BVSEL	W9	—	Input	3
$\overline{\text{CKSTP_OUT}}$	Y12	Low	Output	
$\overline{\text{CI}}$	T4	Low	Output	
$\overline{\text{CKSTP_IN}}$	Y10	Low	Input	
CLK_OUT	T5		Output	
$\overline{\text{DBB}}$	U7	Low	Output	
$\overline{\text{DBG}}$	Y5	Low	Input	
$\overline{\text{DBWO}}$	A6	Low	Input	
DH[0:31]	W18, T17, Y20, Y19, W20, V19, U19, T16, T19, U20, V20, R19, N17, P17, R20, P20, N20, P19, M20, L20, M19, L19, K20, J19, K19, G20, H20, H17, H19, F19, G17, F20	High	Input/Output	
DL[0:31]	A2, A1, C2, E4, C1, E2, D2, E1, D1, F1, G2, F2, H2, H4, G1, K2, J2, K1, J1, L2, M2, L1, N2, N4, N1, P1, P4, P2, R2, R1, U2, T1	High	Input/Output	
$\overline{\text{DRTRY}}$	W3	Low	Input	
EFUSE	Y16	N/A	Input	8
$\overline{\text{GBL}}$	W1	Low	Input/Output	

Notes:

1. These are test signals for factory use only and must be pulled up to OV_{DD} for normal machine operation.
2. OV_{DD} inputs supply power to the input/output drivers and V_{DD} inputs supply power to the processor core.
3. BVSEL low selects single-ended clock input on SYSCLK. BVSEL high selects differential clock input on SYSCLK and $\overline{\text{SYSCLK}}$.
4. TCK must be tied high or low for normal machine operation.
5. No ball is installed in this location.
6. $\overline{\text{SYSCLK}}$ is the active low clock input used with SYSCLK in differential mode. In single-ended mode, SYSCLK is used as the clock input, and $\overline{\text{SYSCLK}}$ is grounded.
7. Must be connected to OV_{DD} during normal operation.
8. Must be connected to GND during normal operation.
9. Kelvin V_{DD} and GND for voltage regulator sensing.
10. On DD1.x, this signal must be pulled up to OV_{DD} for normal operation. On DD2.x, this signal selects the I/O operating voltage such that a pull down to GND selects 1.8 V and a pull up to OV_{DD} selects 1.15 V.

Table 4-1. Pinout Listing for the FCPBGA Package (Sheet 2 of 3)

Signal Name	Pin Number	Active	Input/Output	Notes
GND	B2, B19, C5, C8, C13, C16, D10, D11, E3, E7, E14, E18, F10, F11, G5, G8, G13, G16, H3, H8, H9, H12, H13, H18, J12, K4, K7, K10, K14, K17, L4, L7, L10, L14, L17, M12, N3, N8, N9, N12, N13, N18, P5, P8, P13, P16, R10, R11, T3, T7, T14, T18, U10, U11, V5, V8, V13, V16, W2, W19,	—	—	
$\overline{\text{HRESET}}$	Y11	Low	Input	
$\overline{\text{INT}}$	Y9	Low	Input	
KGND	Y1	—	—	9
KV _{DD}	Y2	—	—	9
L1_TSTCLK	Y13	High	Input	8
L2_TSTCLK	W13	High	Input	10
$\overline{\text{LSSD_MODE}}$	U13	Low	Input	1
$\overline{\text{MCP}}$	W12	Low	Input	
NB	U14, Y4, D16, D13, A13, B8, T20, N19, J20, G19, B1, G4, H1, M1, A10, W8	—	—	5
OV _{DD}	C4, C7, C14, C17, D3, D18, E10, E11, G3, G7, G14, G18, H5, H16, K5, K16, L5, L16, N5, N16, P3, P7, P14, P18, T10, T11, U3, U18, V4, V7, V14, V17	—	—	2
PLL_CFG[0:4]	Y18, W17, Y17, U16, W14	High	Input	
$\overline{\text{QACK}}$	Y8	Low	Input	
$\overline{\text{QREQ}}$	U8	Low	Output	
$\overline{\text{SMI}}$	W10	Low	Input	
$\overline{\text{SRESET}}$	Y7	Low	Input	
SYSCLK	W16	High	Input	6
$\overline{\text{SYSCLK}}$	W15	Low	Input	6
$\overline{\text{TA}}$	A12	Low	Input	
$\overline{\text{TBST}}$	A11	Low	Input/Output	
TCK	T2	High	Input	4
TDI	V2	High	Input	
TDO	W5	High	Output	

Notes:

1. These are test signals for factory use only and must be pulled up to OV_{DD} for normal machine operation.
2. OV_{DD} inputs supply power to the input/output drivers and V_{DD} inputs supply power to the processor core.
3. BVSEL low selects single-ended clock input on SYSCLK. BVSEL high selects differential clock input on SYSCLK and $\overline{\text{SYSCLK}}$.
4. TCK must be tied high or low for normal machine operation.
5. No ball is installed in this location.
6. $\overline{\text{SYSCLK}}$ is the active low clock input used with SYSCLK in differential mode. In single-ended mode, SYSCLK is used as the clock input, and $\overline{\text{SYSCLK}}$ is grounded.
7. Must be connected to OV_{DD} during normal operation.
8. Must be connected to GND during normal operation.
9. Kelvin V_{DD} and GND for voltage regulator sensing.
10. On DD1.x, this signal must be pulled up to OV_{DD} for normal operation. On DD2.x, this signal selects the I/O operating voltage such that a pull down to GND selects 1.8 V and a pull up to OV_{DD} selects 1.15 V.

Table 4-1. Pinout Listing for the FCPBGA Package (Sheet 3 of 3)

Signal Name	Pin Number	Active	Input/Output	Notes
$\overline{\text{TEA}}$	W6	Low	Input	
THRMD1	M6	See Section 5.6 on page 42		
THRMD2	J6			
$\overline{\text{TLBISYNC}}$	W11	Low	Input	
TMS	V1	High	Input	
$\overline{\text{TRST}}$	U1	Low	Input	
$\overline{\text{TS}}$	B15	Low	Input/Output	
TSIZ[0:2]	A14, B12, B11	High	Output	
TT[0:4]	D14, B17, B14, A15, B13	High	Input/Output	
V _{DD}	C10, C11, E8, E13, F6, F9, F12, F15, J8, J9, J13, K3, K8, K11, K13, K18, L3, L8, L11, L13, L18, M8, M9, M13, R6, R9, R12, R15, T8, T13, V10, V11	—	—	2
$\overline{\text{WT}}$	U5	Low	Output	

Notes:

1. These are test signals for factory use only and must be pulled up to OV_{DD} for normal machine operation.
2. OV_{DD} inputs supply power to the input/output drivers and V_{DD} inputs supply power to the processor core.
3. BVSEL low selects single-ended clock input on SYSCLK. BVSEL high selects differential clock input on SYSCLK and $\overline{\text{SYSCLK}}$.
4. TCK must be tied high or low for normal machine operation.
5. No ball is installed in this location.
6. $\overline{\text{SYSCLK}}$ is the active low clock input used with SYSCLK in differential mode. In single-ended mode, SYSCLK is used as the clock input, and $\overline{\text{SYSCLK}}$ is grounded.
7. Must be connected to OV_{DD} during normal operation.
8. Must be connected to GND during normal operation.
9. Kelvin V_{DD} and GND for voltage regulator sensing.
10. On DD1.x. this signal must be pulled up to OV_{DD} for normal operation. On DD2.x, this signal selects the I/O operating voltage such that a pull down to GND selects 1.8 V and a pull up to OV_{DD} selects 1.15 V.

5. System Design Information

This section provides electrical and thermal design recommendations for successful applications on the 750CL.

5.1 Reference Clock Selection

The PowerPC 750CL microprocessor supports either single-ended or differential clock inputs. The reference clock is selected with the pin BVSEL. BVSEL set to GND selects a single-ended reference clock. BVSEL set to OV_{DD} selects differential clock inputs.

For single-ended clock operation, the reference clock should be applied to pin SYCLK. The pin $\overline{\text{SYCLK}}$ should be tied to GND.

For differential clock operation, the differential reference clocks should be applied to pin SYCLK and $\overline{\text{SYCLK}}$. The recommended board terminations are either:

- 50 Ω impedance to GND on pin SYCLK and 50 Ω impedance to GND on pin $\overline{\text{SYCLK}}$ or
- 100 Ω impedance between pins SYCLK and $\overline{\text{SYCLK}}$

5.2 PLL Configuration

Table 5-1 shows the PLL configuration for the 750CL for nominal frequencies.

Table 5-1. 750CL Microprocessor PLL Configuration (Sheet 1 of 2)

PLL_CFG [0:4]		Processor to Bus Frequency Ratio (PTBFR)
Binary	Decimal	
00100	4	2x
00101	5	2.5x
00110	6	3x
00111	7	3.5x
01000	8	4x
01001	9	4.5x
01010	10	5x
01011	11	5.5x
01100	12	6x
01101	13	6.5x
01110	14	7x
01111	15	7.5x
10000	16	8x
10001	17	8.5x

Notes:

1. The SYCLK frequency equals the core frequency divided by the processor-to-bus frequency ratio (PTBFR).

Table 5-1. 750CL Microprocessor PLL Configuration (Sheet 2 of 2)

PLL_CFG [0:4]		Processor to Bus Frequency Ratio (PTBFR)
Binary	Decimal	
10010	18	9x
10011	19	9.5x
10100	20	10x

Notes:

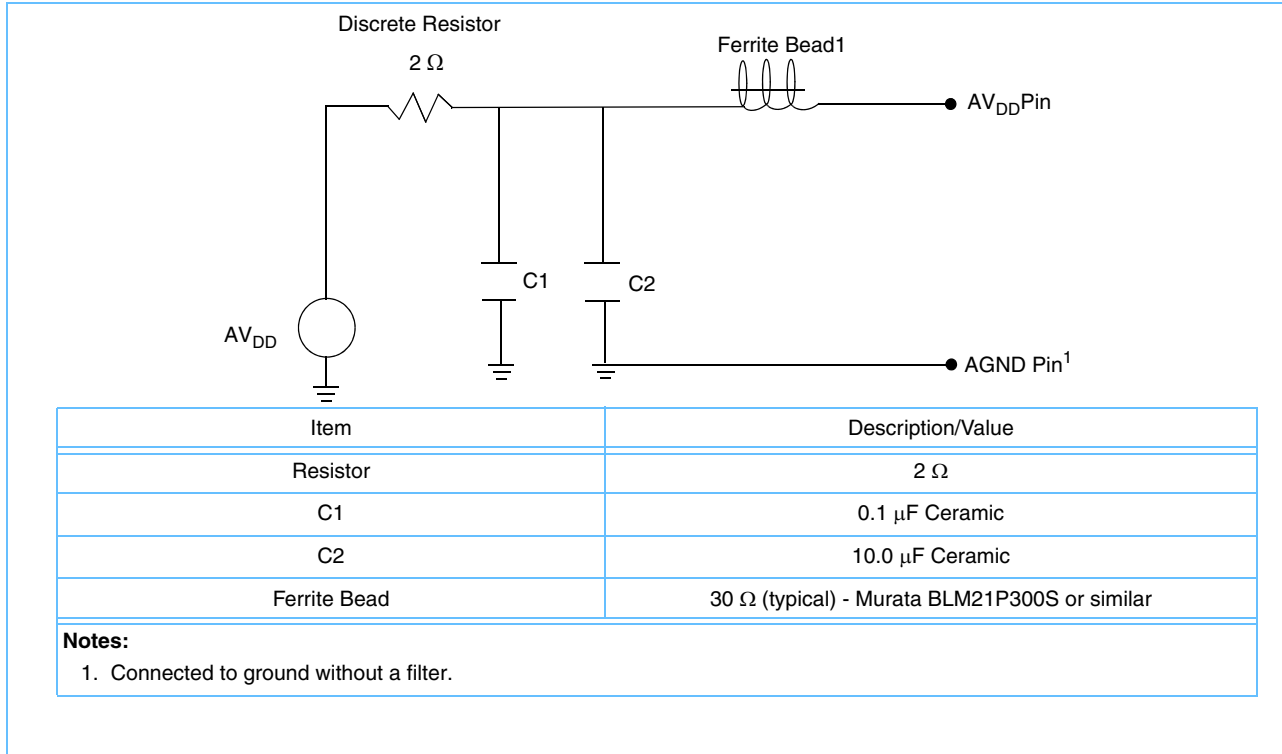
1. The SYSCLK frequency equals the core frequency divided by the processor-to-bus frequency ratio (PTBFR).

5.3 PLL Power Supply Filtering

The 750CL microprocessor has an AV_{DD} signal that provides power to the clock generation PLL.

To ensure stability of the internal clock, the power supplied to the AV_{DD} input signals should be filtered using a circuit similar to the one shown in *Figure 5-1*. The circuit should be placed as close as possible to the AV_{DD} pin to ensure it filters out as much noise as possible.

Figure 5-1. PLL Power Supply Filter Circuit



5.4 Decoupling Recommendations

Capacitor decoupling is required for the 750CL. Decoupling capacitors act to reduce high-frequency chip switching noise and provide localized bulk charge storage to reduce major power-surge effects. Guidelines for high-frequency noise decoupling will be provided in a separate application note. Bulk decoupling requires a more complete understanding of the system and system power architecture, which is beyond the scope of this document.

High-frequency decoupling capacitors should be located as close as possible to the processor with low lead inductance to the ground and voltage planes.

Decoupling capacitors are recommended on the back of the card, directly opposite the module. The recommended placement and number of decoupling capacitors, 34 V_{DD} -GND capacitors and 44 $0V_{DD}$ -GND capacitors, are described in *Figure 5-2* on page 41. The recommended decoupling capacitor specifications are provided in *Table 5-2* on page 40. The placement and usage described here are guidelines for decoupling capacitors and should be applied for system designs.

Table 5-2. Recommended Decoupling Capacitor Specifications

Item	Description
Decoupling capacitor specifications:	Type X5R or Y5V 10 V minimum 0402 size 40 × 20 mils, nominally 1.0 mm × 0.5 mm ± 0.1 mm on both dimensions 100 nF
Recommended minimum number of decoupling capacitors on the back of the card:	34 V _{DD} -GND capacitors 44 OV _{DD} -GND capacitors

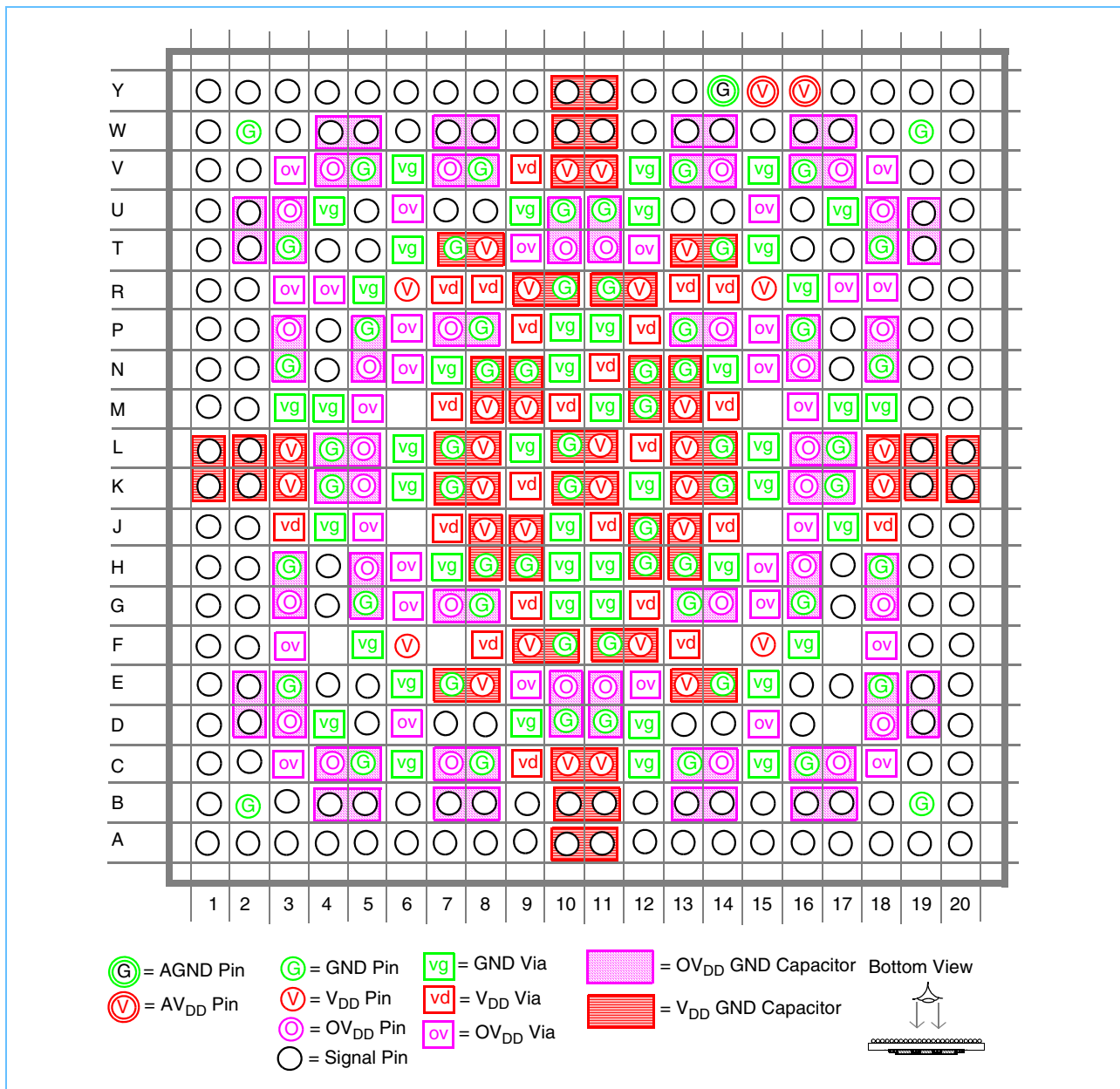
Note: The decoupling capacitor electrodes are located directly opposite their corresponding BGA pins where possible. Also, each electrode for each decoupling capacitor needs to be connected to one or more BGA pins (balls) with a short electrical path. Thus, through-vias adjacent to the decoupling capacitors are recommended.

The card designer can expand on the decoupling capacitor recommendations by doing the following:

- Adding additional decoupling capacitors.
 If using additional decoupling capacitors, verify that these additional capacitors do not reduce the number of card vias or cause the vias to lose proximity to each capacitor electrode.
- Adding additional through-vias or blind-vias.
 Card technologies are available that will reduce the inductance between the decoupling capacitor and the BGA pin (ball). Replacing single vias with multiple vias is certainly approved. Place GND vias close to V_{DD} or OV_{DD} vias to reduce loop inductance.

Figure 5-2 on page 41 shows the mapping of power, ground, and signal pin assignments, and the recommended layout of decoupling capacitors under application conditions. In test mode, pins C11 and G8 can be used as Kelvin probes, in which case the pins should be disconnected from card GND and V_{DD}. Capacitors should not be connected to the Kelvin pins during Kelvin probe voltage measurements.

Figure 5-2. Orientation and Layout of the 750CL Decoupling Capacitors



For more information, see the *PowerPC 750FX Power Supply Layout and Bypassing Application Note*, which also applies to the PowerPC 750CL.

5.5 Connection Recommendations

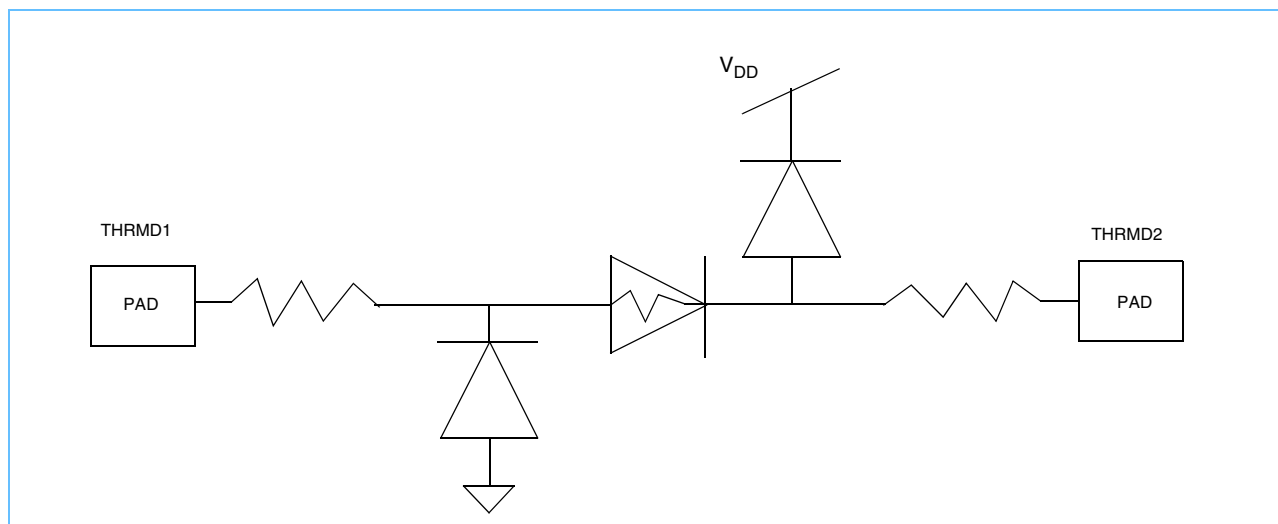
To ensure reliable operation, it is highly recommended to connect unused inputs to an appropriate signal level. Unused active low inputs should be tied to OV_{DD} . Unused active high inputs should be connected to GND. All no-connect (NC) signals must remain unconnected.

Power and ground connections must be made to all external V_{DD} , OV_{DD} , AV_{DD} , and GND pins of the 750CL.

5.6 Die Temperature Monitor

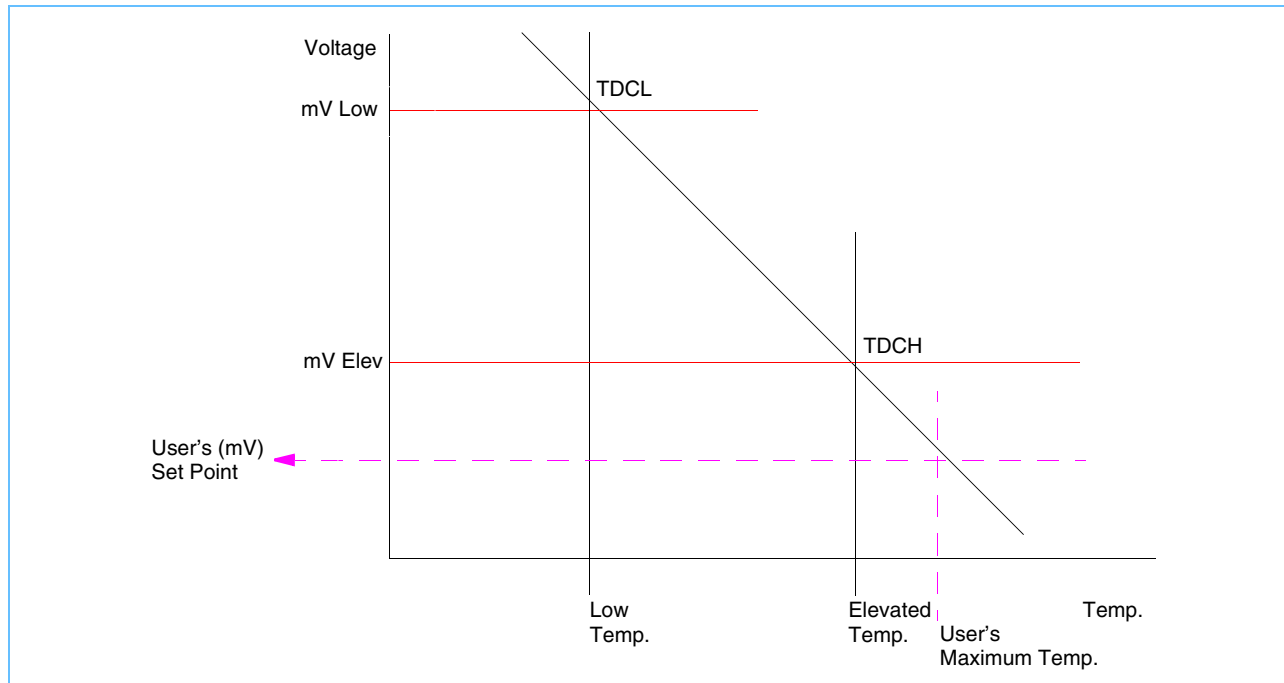
The PowerPC 750CL microprocessor features an on-board temperature sensing diode for determining the chip junction temperature, T_J . A schematic of the thermal diode is shown in *Figure 5-3*. The thermal diode is placed within the die circuitry in proximity of the hottest area on the die. Its terminals are then connected to pins THRMD1 and THRMD2.

Figure 5-3. Thermal Diode Schematic



The procedure for monitoring temperature involves forcing a $100\ \mu\text{A}$ current through the diode and measuring the resultant voltage. The measured voltage can then be used to interpolate the junction temperature using two reference voltage/temperature data points that are preset at the factory. The reference points are stored in the 750CL Thermal Diode Calibration Registers, TDCL and TDCH. TDCL contains the diode voltage from forcing $100\ \mu\text{A}$ through the diode at a low temperature (both voltage and temperature included in the register). TDCH contains the diode voltage from forcing $100\ \mu\text{A}$ through the diode at a high temperature (also included in the register). Consult the *IBM PowerPC 750CL RISC Microprocessor User's Manual* for the specific format of the registers. The graph in *Figure 5-4* on page 43 illustrates the procedure for determining the chip junction temperature based on the user's voltage measurement and the reference points provided in the calibration registers.

Figure 5-4. Interpolating Chip Junction Temperature Using Thermal Calibration Registers and User Voltage Measurement



5.7 Output Buffer DC Impedance

The 750CL 60x drivers were characterized over various process, voltage, and temperature conditions. To measure driver impedance, an external resistor is connected to the chip pad, either to OV_{DD} or GND. Then the value of the resistor is varied until the pad voltage is $OV_{DD}/2$ (see *Figure 5-5, Driver Impedance Measurement*, on page 44).

The output impedance is actually the average of two resistances: the resistance of the pull-up and the resistance of pull-down devices. When Data is held high, SW1 is closed (SW2 is open), and R_N is trimmed until $Pad = OV_{DD}/2$; R_N then becomes the resistance of the pull-up devices. When Data is held low, SW2 is closed (SW1 is open), and R_P is trimmed until $Pad = OV_{DD}/2$; R_P then becomes the resistance of the pull-down devices. With a properly designed driver, R_P and R_N are close to each other in value; then driver impedance equals $(R_P + R_N)/2$.

Figure 5-5. Driver Impedance Measurement

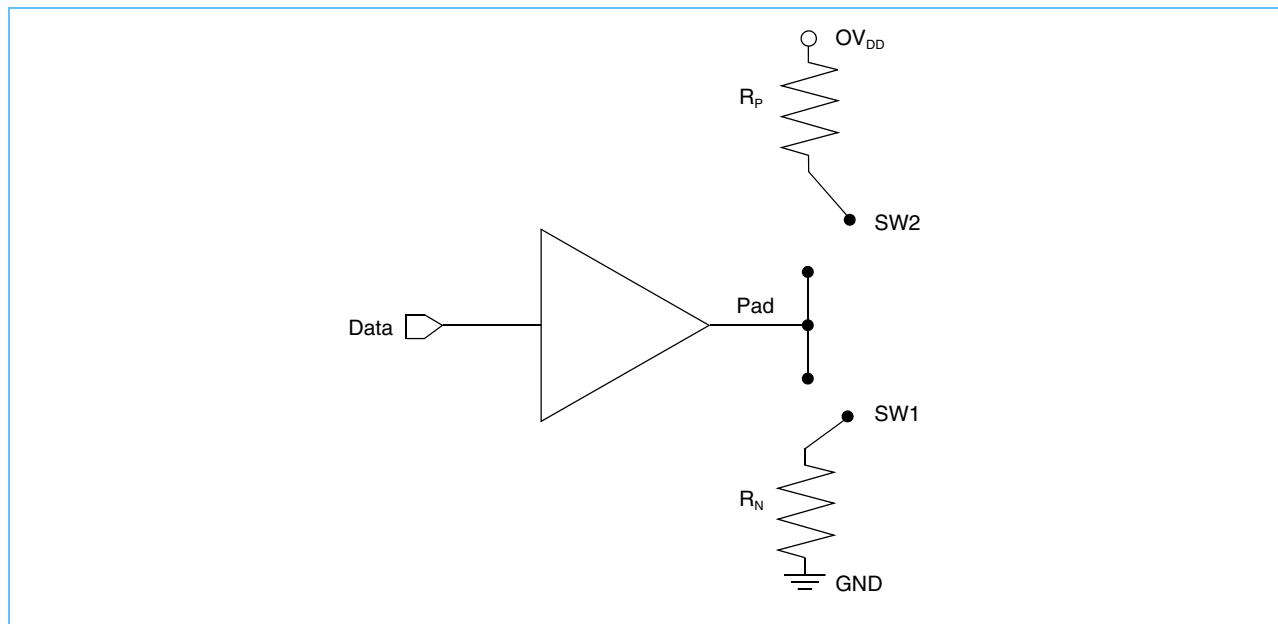


Table 5-3 summarizes the driver impedance characteristics a designer uses to design a typical process.

Table 5-3. Driver Impedance Characteristics

Process	60x Impedance (Ω)	OV_{DD} (V)	T ($^{\circ}C$)
Worst	37	1.15	65
Typical	42	1.15	65
Best	50	1.15	65
Worst	35	1.8	65
Typical	42	1.8	65
Best	50	1.8	65



5.7.1 Input/Output Usage

Table 5-4, Input/Output Usage, on page 46 provides details on the input/output usage of the 750CL signals. The *Usage Group* column refers to the general functional category of the signal.

In the 750CL, certain input/output signals have pullups and pulldowns, which may or may not be enabled. In *Table 5-4*, the “Input/Output with Internal Pullup Resistors” column defines which signals have these pullups or pulldowns and their active or inactive state. The “Level Protect” column defines which signals have the designated function added to their input/output cell. For more about level protection, see *Section 5.10.1* on page 58.



Table 5-4. Input/Output Usage (Sheet 1 of 4)

750CL Signal Name	Active Level	Input/Output	Usage Group	Input/Output with Internal Pullup Resistors	Level Protect	Required External Resistor	Comments	Notes
A[0:31]	High	Input/Output	Address Bus		Keeper			1, 3, 4
$\overline{\text{AACK}}$	Low	Input	Address Termination		Keeper		Must be actively driven	3, 4, 5
$\overline{\text{ABB}}$	Low	Input/Output	—		Keeper	1 K Ω	Pullup required to OV _{DD}	3, 4, 5
AGND	—	—	Power Supply					
$\overline{\text{ARTRY}}$	Low	Input/Output	Address Termination		Keeper	1 K Ω	Pullup required to OV _{DD}	3, 4, 5
AV _{DD}	—	—	PLL Power Supply					
$\overline{\text{BG}}$	Low	Input	Address Arbitration		Keeper		Active driver or pulldown	3, 4, 5
$\overline{\text{BR}}$	Low	Output	Address Arbitration		Keeper		Chip actively drives	3, 4, 5
BVSEL	N/A	Input	Mode Select	Internal pullup enabled		1 K Ω	Pullup/pulldown, as required	5
$\overline{\text{CI}}$	Low	Output	Transfer Attributes		Keeper			1, 3, 4
CKSTP_IN	Low	Input	Interrupt/Resets		Keeper		Must be actively driven	3, 4, 5
$\overline{\text{CKSTP_OUT}}$	Low	Output	Interrupt/Resets		Keeper	1 K Ω	Pullup required to OV _{DD}	3, 4, 5
CLK_OUT	High	Output	—		Keeper			3, 4
$\overline{\text{DBB}}$	Low	Input/Output	—		Keeper	1 K Ω	Pullup required to OV _{DD}	3, 4, 5
$\overline{\text{DBG}}$	Low	Input	Data Arbitration		Keeper		Active driver or tie low	3, 4, 5
$\overline{\text{DBWO}}$	Low	Input	Mode Select/Control		Keeper		Must be actively driven	3, 4, 6

Notes:

1. Depends on the system design. The electrical characteristics of the 750CL do not add additional constraints to the system design, so whatever is done with the net will depend on the system requirements.
2. $\overline{\text{HRESET}}$, $\overline{\text{SRESET}}$, and $\overline{\text{TRST}}$ are signals used for RISCWatch to enable proper operation of the debuggers. Logical AND gates should be placed between these signals and the IBM PowerPC 750CL RISC Microprocessor (see *Figure 5-6* on page 50 and *Section 5.11.3.1* on page 61).
3. The 750CL provides protection from meta-stability on inputs through the use of a “keeper” circuit on specific inputs (see *Section 5.10* on page 58 for a more detailed description).
4. If a system design requires a signal level to be maintained while not being actively driven, an external resistor or device must be used (keepers assure no meta-stability of inputs but do not guarantee a level).
5. The 750CL does not require external pullups on address and data lines. Control lines must be treated individually.
6. Mode Select pins require the proper state at $\overline{\text{HRESET}}$ to configure the operating mode of the processor (see *Table 5-7, Summary of Mode Select*, on page 58).
7. Use SYSCLK for single-ended operation: ground SYSCLK. For differential clock mode, a 50 Ω resistor to GND is required on both SYSCLK and $\overline{\text{SYSCLK}}$. See *Reference Clock Selection* on page 37. For single-ended operation, BVSEL must be continuously low. For differential operation, BVSEL must be continuously pulled, driven, or connected to OV_{DD}. See *Table 4-1, Pinout Listing for the FCPBGA Package*, on page 34.

Table 5-4. Input/Output Usage (Sheet 2 of 4)

750CL Signal Name	Active Level	Input/Output	Usage Group	Input/Output with Internal Pullup Resistors	Level Protect	Required External Resistor	Comments	Notes
DH[0:31]	High	Input/Output	Data Bus		Keeper			1, 3, 4
DL[0:31]	High	Input/Output	Data Bus		Keeper			1, 3, 4
\overline{DRTRY}	Low	Input	Mode Select/Control		Keeper		Must be actively driven	3, 4, 6
EFUSE		Input	Factory				Must be tied to GND	
\overline{GBL}	Low	Input/Output	Transfer Attributes		Keeper			1, 3, 4
GND	—	—	Power Supply					
\overline{HRESET}	Low	Input	Interrupt/Resets		Keeper		Active driver	2, 3, 4, 5
\overline{INT}	Low	Input	Interrupt/Resets		Keeper		Active driver or pullup	3, 4, 5
L1_TSTCLK	High	Input	Factory	Internal pullup disabled		1 K Ω	Pulldown required	5
L2_TSTCLK	High	Input	Mode Select	Internal pullup disabled		1 K Ω	DD2.x pullup/pulldown as required	5 see Table 4-1
$\overline{LSSD_MODE}$	Low	Input	Factory	Internal pullup disabled		1 K Ω	Pullup required to OV _{DD}	5
\overline{MCP}	Low	Input	Interrupt/Resets		Keeper		Active driver or pullup	3, 4, 5
OV _{DD}	—	—	Power Supply					
PLL_CFG[0:4]	High	Input	Mode Select/Control		Keeper	1 K Ω	Pullup/pulldown, as required	3, 4, 5
\overline{QACK}	Low	Input	Mode Select/Control		Keeper		Must be actively driven	3, 4, 5, 6

Notes:

1. Depends on the system design. The electrical characteristics of the 750CL do not add additional constraints to the system design, so whatever is done with the net will depend on the system requirements.
2. \overline{HRESET} , \overline{SRESET} , and \overline{TRST} are signals used for RISCWatch to enable proper operation of the debuggers. Logical AND gates should be placed between these signals and the IBM PowerPC 750CL RISC Microprocessor (see Figure 5-6 on page 50 and Section 5.11.3.1 on page 61).
3. The 750CL provides protection from meta-stability on inputs through the use of a “keeper” circuit on specific inputs (see Section 5.10 on page 58 for a more detailed description).
4. If a system design requires a signal level to be maintained while not being actively driven, an external resistor or device must be used (keepers assure no meta-stability of inputs but do not guarantee a level).
5. The 750CL does not require external pullups on address and data lines. Control lines must be treated individually.
6. Mode Select pins require the proper state at \overline{HRESET} to configure the operating mode of the processor (see Table 5-7, Summary of Mode Select, on page 58).
7. Use SYSCLK for single-ended operation: ground \overline{SYSCLK} . For differential clock mode, a 50 Ω resistor to GND is required on both SYSCLK and \overline{SYSCLK} . See Reference Clock Selection on page 37. For single-ended operation, BVSEL must be continuously low. For differential operation, BVSEL must be continuously pulled, driven, or connected to OV_{DD}. See Table 4-1, Pinout Listing for the FCPBGA Package, on page 34.



Table 5-4. Input/Output Usage (Sheet 3 of 4)

750CL Signal Name	Active Level	Input/Output	Usage Group	Input/Output with Internal Pullup Resistors	Level Protect	Required External Resistor	Comments	Notes
$\overline{\text{QREQ}}$	Low	Output	Status/Control		Keeper		Chip actively drives	3, 4, 5
$\overline{\text{SMI}}$	Low	Input	—		Keeper			3, 4
$\overline{\text{SRESET}}$	Low	Input	Interrupt/Resets		Keeper		Active driver required	2, 3, 4, 5
SYSCLK	High	Input	Clock				Active driver	7
$\overline{\text{SYSCLK}}$	Low	Input	Clock				Active driver	7
$\overline{\text{TA}}$	Low	Input	Data Termination		Keeper		Active driver	3, 4, 5
$\overline{\text{TBST}}$	Low	Input/Output	Transfer Attributes		Keeper			1, 3, 4
TCK	High	Input	JTAG	Internal pullup disabled		1 K Ω	Pulldown required	5
TDI	High	Input	JTAG	Internal pullup enabled				5
TDO	High	Output	JTAG		Keeper			3, 4
$\overline{\text{TEA}}$	Low	Input	Data Termination		Keeper		Active driver or pullup	3, 4, 5
THRMD1								
THRMD2								
$\overline{\text{TLBISYNC}}$	Low	Input	Mode Select/Control		Keeper		Must be actively driven	3, 4, 6
TMS	High	Input	JTAG	Internal pullup enabled				5

Notes:

1. Depends on the system design. The electrical characteristics of the 750CL do not add additional constraints to the system design, so whatever is done with the net will depend on the system requirements.
2. $\overline{\text{HRESET}}$, $\overline{\text{SRESET}}$, and $\overline{\text{TRST}}$ are signals used for RISCWatch to enable proper operation of the debuggers. Logical AND gates should be placed between these signals and the IBM PowerPC 750CL RISC Microprocessor (see *Figure 5-6* on page 50 and *Section 5.11.3.1* on page 61).
3. The 750CL provides protection from meta-stability on inputs through the use of a “keeper” circuit on specific inputs (see *Section 5.10* on page 58 for a more detailed description).
4. If a system design requires a signal level to be maintained while not being actively driven, an external resistor or device must be used (keepers assure no meta-stability of inputs but do not guarantee a level).
5. The 750CL does not require external pullups on address and data lines. Control lines must be treated individually.
6. Mode Select pins require the proper state at $\overline{\text{HRESET}}$ to configure the operating mode of the processor (see *Table 5-7, Summary of Mode Select*, on page 58).
7. Use SYSCLK for single-ended operation: ground $\overline{\text{SYSCLK}}$. For differential clock mode, a 50 Ω resistor to GND is required on both SYSCLK and $\overline{\text{SYSCLK}}$. See *Reference Clock Selection* on page 37. For single-ended operation, BVSEL must be continuously low. For differential operation, BVSEL must be continuously pulled, driven, or connected to OV_{DD} . See *Table 4-1, Pinout Listing for the FCPBGA Package*, on page 34.

Table 5-4. Input/Output Usage (Sheet 4 of 4)

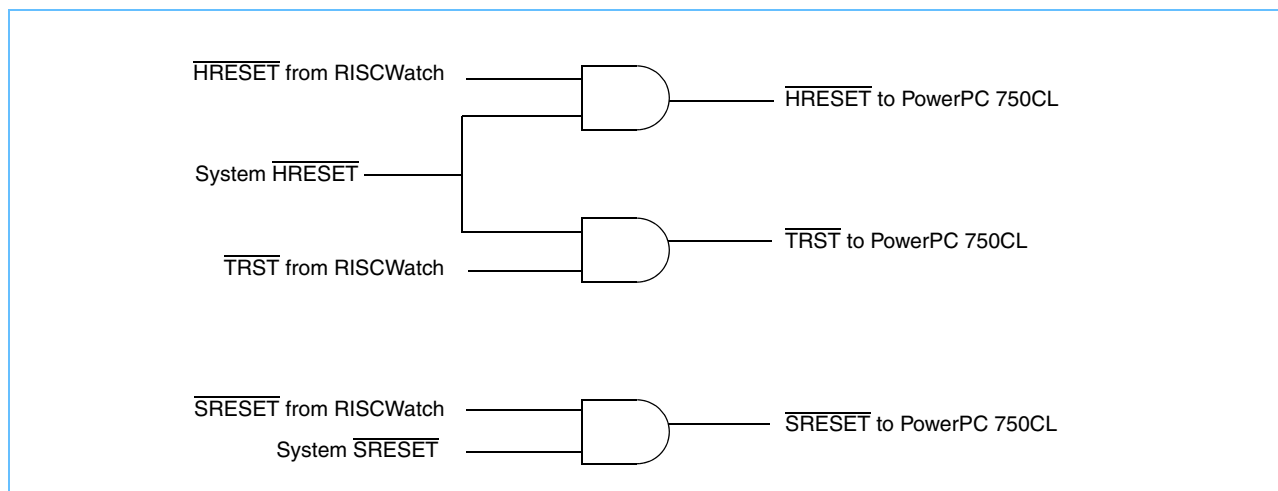
750CL Signal Name	Active Level	Input/Output	Usage Group	Input/Output with Internal Pullup Resistors	Level Protect	Required External Resistor	Comments	Notes
$\overline{\text{TRST}}$	Low	Input	JTAG	Internal pullup enabled				2, 5
$\overline{\text{TS}}$	Low	Input/Output	Address Start		Keeper	1 K Ω	Pullup required to OV _{DD}	3, 4, 5
TSIZ[0:2]	High	Output	Transfer Attributes		Keeper			1, 3, 4
TT[0:4]	High	Input/Output	Transfer Attributes		Keeper			1, 3, 4
V _{DD}	—	—	Power Supply					
$\overline{\text{WT}}$	Low	Output	Transfer Attributes		Keeper			1, 3, 4

Notes:

1. Depends on the system design. The electrical characteristics of the 750CL do not add additional constraints to the system design, so whatever is done with the net will depend on the system requirements.
2. HRESET, SRESET, and TRST are signals used for RISCWatch to enable proper operation of the debuggers. Logical AND gates should be placed between these signals and the IBM PowerPC 750CL RISC Microprocessor (see *Figure 5-6* on page 50 and *Section 5.11.3.1* on page 61).
3. The 750CL provides protection from meta-stability on inputs through the use of a “keeper” circuit on specific inputs (see *Section 5.10* on page 58 for a more detailed description).
4. If a system design requires a signal level to be maintained while not being actively driven, an external resistor or device must be used (keepers assure no meta-stability of inputs but do not guarantee a level).
5. The 750CL does not require external pullups on address and data lines. Control lines must be treated individually.
6. Mode Select pins require the proper state at HRESET to configure the operating mode of the processor (see *Table 5-7, Summary of Mode Select*, on page 58).
7. Use SYSCLK for single-ended operation: ground $\overline{\text{SYSCLK}}$. For differential clock mode, a 50 Ω resistor to GND is required on both SYSCLK and $\overline{\text{SYSCLK}}$. See *Reference Clock Selection* on page 37. For single-ended operation, BVSEL must be continuously low. For differential operation, BVSEL must be continuously pulled, driven, or connected to OV_{DD}. See *Table 4-1, Pinout Listing for the FCPBGA Package*, on page 34.



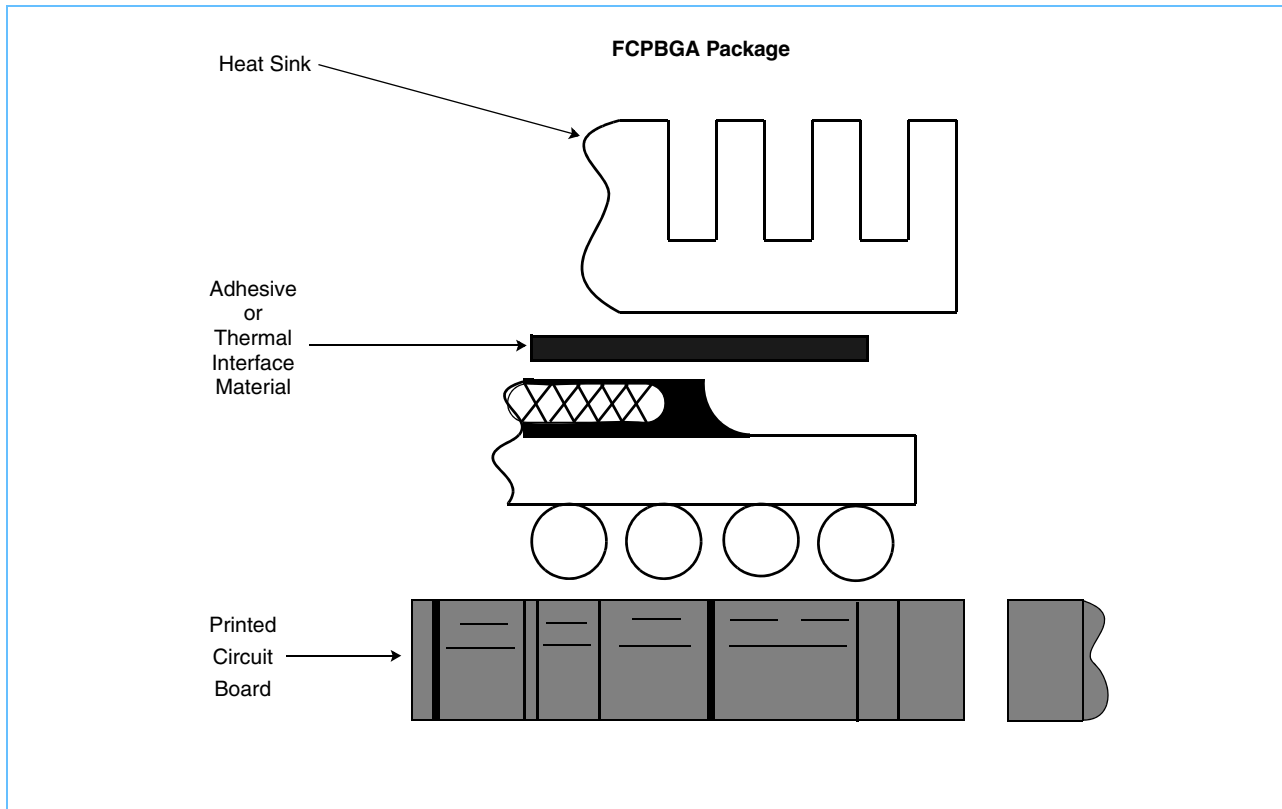
Figure 5-6. IBM RISCWatch JTAG to \overline{HRESET} , \overline{TRST} , and \overline{SRESET} Signal Connector



5.8 Thermal Management Information

This section provides thermal management information for the FCPBGA package for air cooled applications. Proper thermal control design is primarily dependent upon the system-level design; that is, the heat sink, air flow, and the thermal interface material. To reduce the die-junction temperature, heat sinks may be attached to the package by several methods: adhesive, mounting clip, or a screw assembly.

Figure 5-7. Package Exploded Cross-Sectional



The board designer can choose between several types of heat sinks to place on the 750CL. There are many commercially-available heat sinks that are appropriate for the 750CL provided by the vendors listed in *Table 5-5, 750CL Heat-Sink Vendors*, on page 52.

Table 5-5. 750CL Heat-Sink Vendors

Company Names and Addresses for Heat-Sink Vendors
Cool Polymers (formerly Chip Coolers, Inc.) 333 Strawberry Field Rd. Warwick, RI 02886 (888) 811-3787 http://coolpolymers.com/
International Electronic Research Corporation (IERC) 413 North Moss Street Burbank, CA 91502 (818) 842-7277 http://www.ctscorp.com/
Aavid Thermalloy 80 Commercial Street Concord, NH 03301 (603) 224-9888 http://www.aavid.com http://www.aavidthermalloy.com
Wakefield Thermal Solutions Inc. 33 Bridge Street Pellham, NH 03076 (603) 635-2800 http://www.wakefield.com

5.8.1 Minimum Heat Sink Requirements

The worst-case power dissipation (P_D) for the 750CL is shown in *Table 3-5, Power Consumption*, on page 17. A conservative thermal management design will provide sufficient cooling to maintain the junction temperature (T_J) of the 750CL below 105°C at maximum P_D and worst-case ambient temperature and airflow conditions.

Many factors affect the 750CL power dissipation, including V_{DD} , T_J , core frequency, process factors, and the code that is running on the processor. In general, P_D increases with increases in T_J , V_{DD} , core frequency, process variables, and the number of instructions executed per second.

For various reasons, a designer may determine that the power dissipation of the 750CL in their application will be less than the maximum value shown in this datasheet. Assuming a lower P_D will result in a thermal management system with less cooling capacity than would be required for the maximum P_D shown in the datasheet. In this case, the designer may decide to determine the actual maximum 750CL P_D in the particular application. Contact your IBM PowerPC field applications engineer for more information.

However, regardless of methodology, IBM only supports system designs that successfully maintain the maximum junction temperature within the datasheet limits. IBM also supports designs that rely on the maximum P_D values given in this datasheet and supply a cooling solution sufficient to dissipate that amount of power while keeping the maximum junction temperature below the maximum T_J .

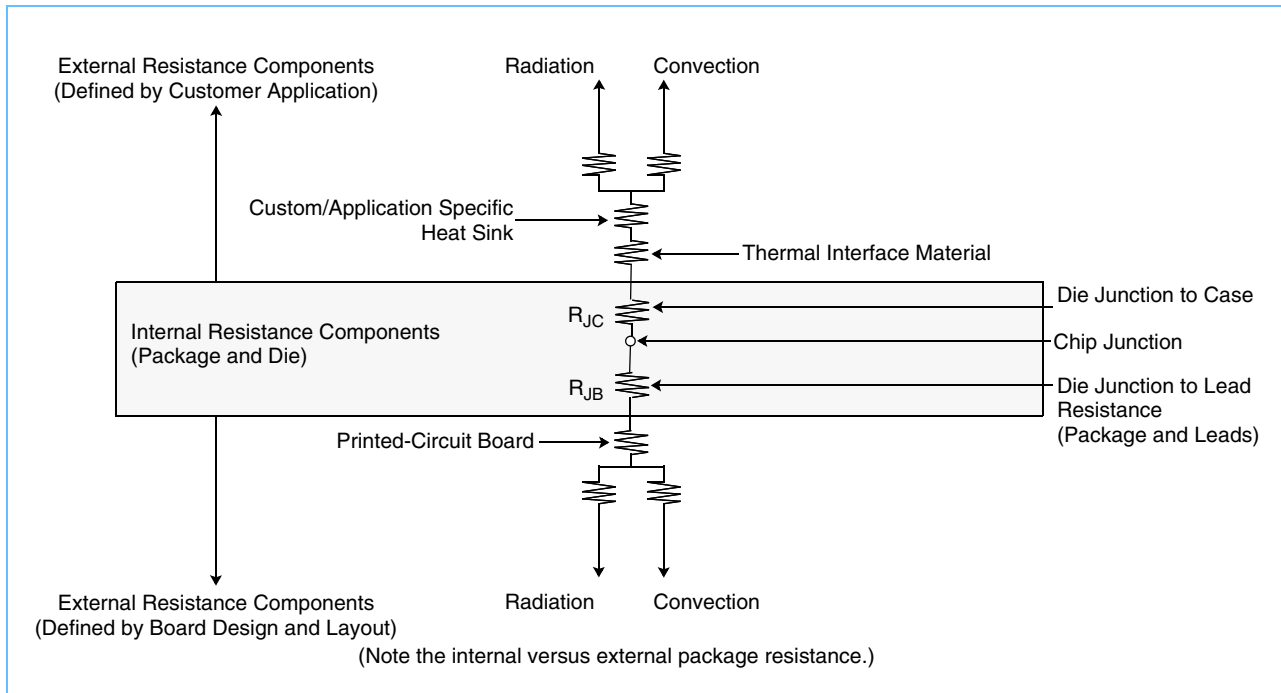
5.8.2 Internal Package Conduction Resistance

For the exposed-die packaging technology shown in *Table 3-3, Package Thermal Characteristics*, on page 16, the thermal paths illustrated in *Figure 5-8* on page 53 are as follows:

- Die junction-to-case thermal resistance (primary thermal path), defined as the thermal resistance from the die junctions to the top surface of the package.
- Die junction-to-lead thermal resistance (not normally a significant thermal path), defined as the thermal resistance from the die junctions to the circuit board interface.
- Die junction-to-ambient thermal resistance (largely dependent on customer-supplied heat sink), defined as the sum total of all the thermally conductive components that comprise the end user's application. Ambient is further defined as the air temperature in the immediate vicinity of the thermally conductive components, including the contributions of surrounding heat sources.

Figure 5-8 is a thermal model, in schematic form, of the primary heat transfer path for a package with an attached heat sink mounted to a printed-circuit board.

Figure 5-8. C4 Package with Heat Sink Mounted to a Printed-Circuit Board



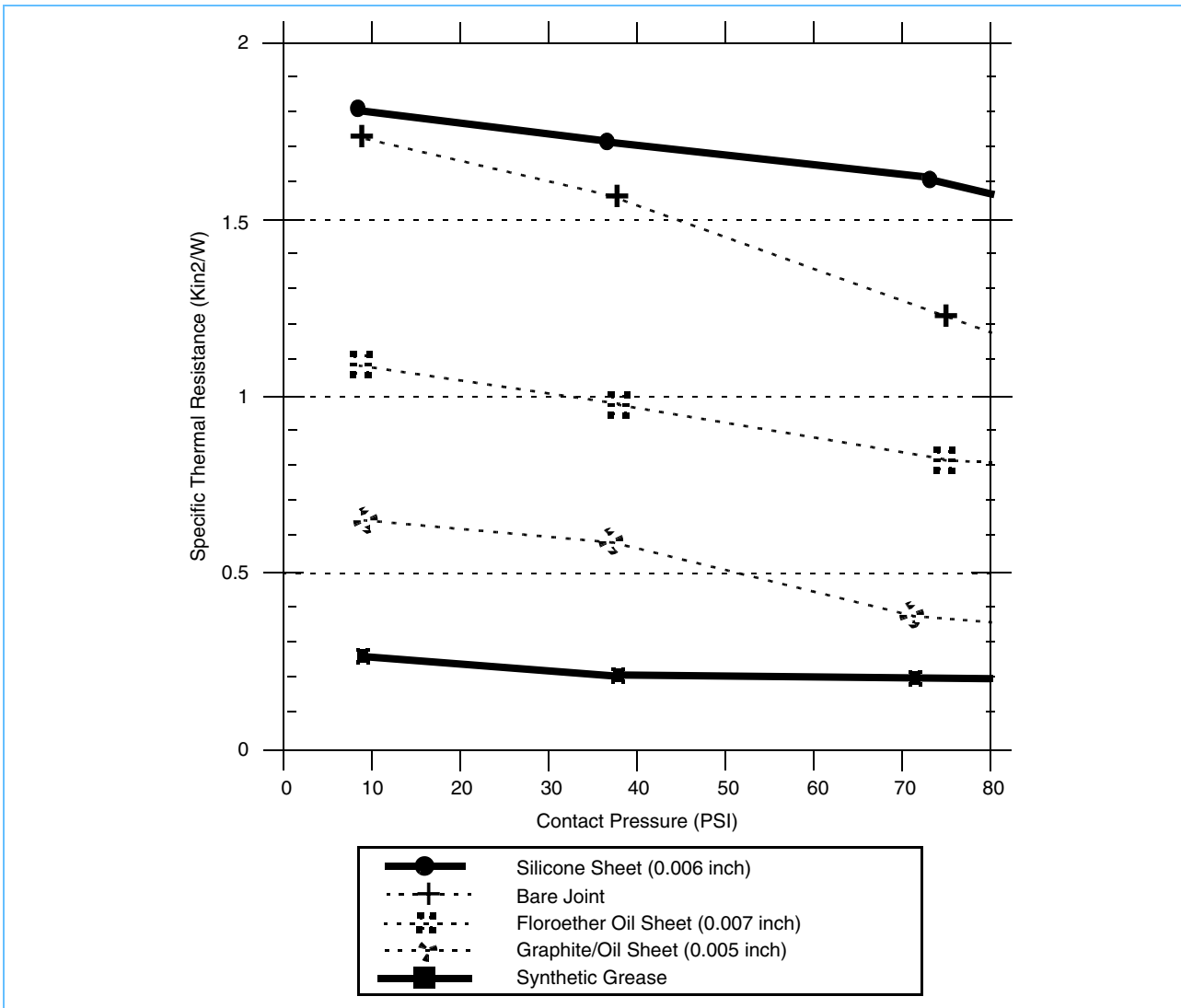
Heat generated in the chip is conducted through the silicon, then through the package to the top of the package, then through the heatsink attach material (or thermal interface material), and finally into the heat sink and the ambient air. Since the silicon thermal resistance is quite small, for a first-order analysis, the temperature drop in the silicon may be neglected. Thus, the heat sink attach material and the heat-sink conduction/convective thermal resistances are the dominant terms.

5.8.3 Adhesives and Thermal Interface Materials

A thermal interface material is required at the package die-surface-to-heat-sink interface to minimize the thermal contact resistance. For those applications where the heat sink is attached by a mechanical means (not adhesive), *Figure 5-9* on page 55 shows an example of the thermal performance of three thin-sheet thermal-interface materials (silicon, graphite/oil, fluoroether oil), a bare joint, and a joint with synthetic grease, as a function of contact pressure. As shown, the performance of these thermal interface materials improves with increasing contact pressure. The use of synthetic grease significantly reduces the interface thermal resistance. That is, the bare joint results in a thermal resistance approximately seven times greater than the synthetic grease joint. Customers are advised to investigate alternative thermal interface materials to ensure the most reliable, efficient, and cost-effective thermal design.

An example of heat-sink attachment to the package by mechanical means is illustrated in *Figure 5-7, Package Exploded Cross-Sectional*, on page 51. In this case, the synthetic grease offers the best thermal performance considering the low interface pressure. Of course, the selection of any thermal interface material depends on many factors—thermal performance requirements, manufacturability, service temperature, dielectric properties, cost, and so forth.

Figure 5-9. Thermal Performance of Select Thermal Interface Material



The board designer can choose between several types of thermal interfaces. Heat-sink adhesive materials should be selected based upon high conductivity, yet adequate mechanical strength to meet equipment shock/vibration requirements. There are several commercially available thermal interfaces and adhesive materials provided by the vendors shown in *Table 5-6*.

Table 5-6. 750CL Thermal Interface and Adhesive Materials Vendors

Company Names and Addresses for Thermal Interfaces and Adhesive Materials Vendors
Dow-Corning Corporation Dow-Corning Electronic Materials P.O. Box 0997 Midland, MI 48686-0997 (989) 496-4000 http://www.dowcorning.com/content/etronics
Chomerics, Inc. 77 Dragon Court Woburn, MA 01888-4850 (781) 935-4850 http://www.chomerics.com
Laird Technologies (formerly Thermagon, Inc.) 4707 Detroit Avenue Cleveland, OH 44102-2216 (888) 246-9050 http://www.lairdtech.com/
Loctite Corporation 1001 Trout Brook Crossing Rocky Hill, CT 06067 (860) 571-5100 / (800) 562-8483 http://www.loctite.com
AI Technology 70 Washington Road Princeton, NJ 08550-1097 (609) 799-9388 http://www.aitechnology.com

Section 5.9 provides a heat-sink selection example using one of the commercially available heat sinks.

5.9 Heat-Sink Selection Example

In most cases, the thermal path through the package balls is not significant, and is not included in the heat sink calculations. Considering only the thermal path through the heat sink, the thermal equation is

$$T_J = T_a + P_d \times (\theta_{jc} + \theta_{cs} + \theta_{sa})$$

where

T_J is the junction temperature

T_a is the ambient temperature: the temperature of the air at the heatsink

P_d is the maximum power dissipated by the 750CL

θ_{jc} is the thermal resistance from the junction to the case (the top surface of the package)

θ_{cs} is the thermal resistance from the case to the heatsink

θ_{sa} is the thermal resistance from the heatsink to ambient

In this example, let:

$$T_J = 105^\circ\text{C maximum}$$

$$T_a = 50^\circ\text{C at heatsink} = 35^\circ\text{C air inlet temperature plus } 15^\circ\text{C internal temperature rise}$$

$$P_d = 6 \text{ W maximum at } 105^\circ\text{C}$$

$$\theta_{jc} = 2^\circ\text{C/W}$$

$$\theta_{cs} = 0.5^\circ\text{C/W}$$

$$\theta_{sa} = \text{unknown}$$

So

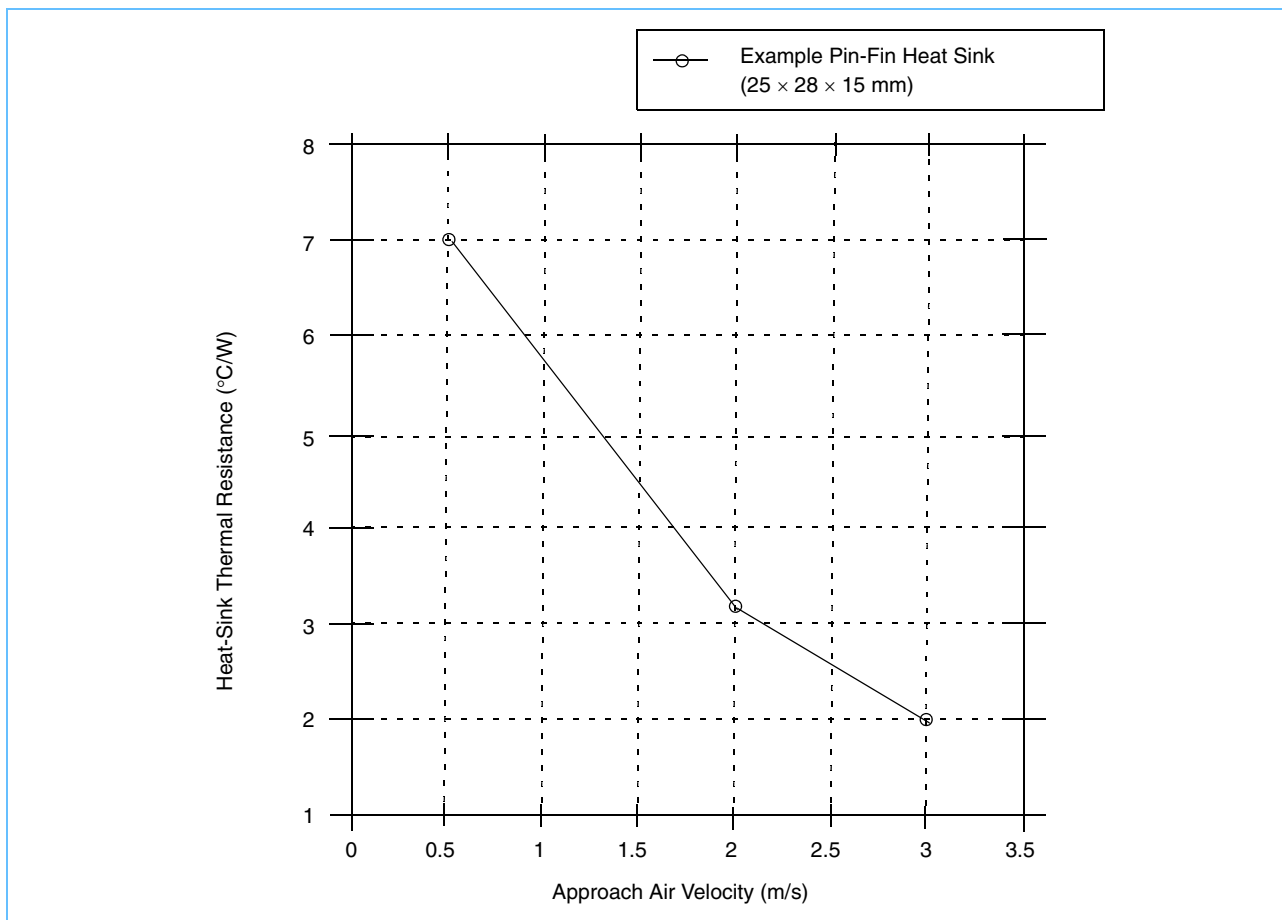
$$105^\circ\text{C} = 50^\circ\text{C} + 6 \text{ W}(2 + 0.5 + x^\circ\text{C/W})$$

Thus

$$\theta_{sa} \leq 6.67^\circ\text{C/W}$$

Airflow at the heatsink is a minimum of 1 m/s. Considering the heatsink of *Figure 5-10*, we see that thermal resistance at 1 m/s airflow is less than 5.8°C/W , which satisfies the requirement with a reasonable engineering margin.

Figure 5-10. Example of a Pin-Fin Heat-Sink-to-Ambient Thermal Resistance versus Airflow Velocity



5.10 Operational and Design Considerations

5.10.1 Level Protection

A level protection feature is included in the 750CL. This feature prevents ambiguous floating reference voltages by pulling the respective signal line to the last valid or nearest valid state.

For example, if the input/output voltage level is closer to OV_{DD} , the circuit pulls the I/O level to OV_{DD} . If the I/O level is closer to GND, the I/O level is pulled low. This self-latching circuitry *keeps* the floating inputs defined and avoids meta-stability. In *Table 5-4, Input/Output Usage*, on page 46, these signals are defined as “keeper” in the “Level Protect” column. The keeper circuits are not intended to hold a net at a particular logic level, or to strongly hold a net at the current logic level. Strong noise can cause the net to switch.

The level protect circuitry provides no additional leakage current to the signal I/O; however, some amount of current must be applied to the *keeper* node to overcome the level protection latch. Any pullup or pulldown resistors should be 1k Ω or less to overcome the keeper current.

This feature allows the system designer to limit the number of resistors in the design and optimize placement and reduce costs.

Note: Having a *keeper* on the associated signal I/O does not replace a pull-up or pull-down resistor that is needed by a separate device located on the 60x bus. The designer must supply any termination requirements for these separate devices, as defined in their specifications.

5.10.2 Configuring the Processor During Reset

Operating modes of the processor such as the data bus width, \overline{DRTRY} mode, and so forth are selected when the processor exits reset mode (that is, when \overline{HRESET} is deasserted). Specifically, selected pins are sampled when \overline{HRESET} transitions to the de-asserted state and the sampled value determines the operating mode. The mode select pins and their descriptions follow.

Table 5-7. Summary of Mode Select

Mode	750CL
32-bit mode	Sample $\overline{TLBISYNC}$ to select High = 64-bit mode Low = 32-bit mode
Data retry mode	Selects \overline{DRTRY} mode. Sample \overline{DRTRY} to select. 0 at \overline{HRESET} transition No \overline{DRTRY} mode 1 at \overline{HRESET} transition \overline{DRTRY} mode \overline{DRTRY} must be de-asserted once the processor is configured for no-drtry mode. This can be accomplished by driving \overline{DRTRY} with a copy of \overline{HRESET} .
Standard/extended precharge mode	\overline{QACK} in a logical high state at the transition of \overline{HRESET} from asserted to negated enables standard precharge mode, the recommended default. See <i>Section 5.10.3.1</i> for details.
I/O bus voltage (OV_{DD})	Continuously ground L2_TSTCLK to select 1.8 V bus operation. Continuously connect L2_TSTCLK to OV_{DD} to select 1.15 V bus mode.
PLL divider mode	PLL divider mode is selected by sensing the data bus write-only (\overline{DBWO}) pin at the transition of \overline{HRESET} from low to high. For normal operation, \overline{DBWO} must be held low ('0') at the \overline{HRESET} transition whenever noninteger processor-to-bus frequency ratios are selected (that is, 2.5, 3.5, 4.5, 5.5, 6.5, 7.5, 8.5, and 9.5). \overline{DBWO} can be held either low or high (= OV_{DD}) for integer ratios.

5.10.3 64-Bit or 32-Bit Data Bus Mode

The 750CL typically operates in 64-bit data bus mode. Mode setting is determined by the state of the mode signal, $\overline{\text{TLBISYNC}}$, at the transition of $\overline{\text{HRESET}}$ from its active to inactive state (low to high). If $\overline{\text{TLBISYNC}}$ is *high* when $\overline{\text{HRESET}}$ transitions from active to inactive, 64-bit mode is selected. If $\overline{\text{TLBISYNC}}$ is *low* when $\overline{\text{HRESET}}$ transitions from active to inactive, 32-bit mode is selected.

5.10.3.1 Precharge Duration Selection and Application

An extended precharge feature is available for the signals $\overline{\text{ABB}}$, $\overline{\text{DBB}}$, and $\overline{\text{ARTRY}}$ in situations where the loading and net topology of these signals requires a longer precharge duration for the signals to attain a valid level.

The bus signals, $\overline{\text{ABB}}$, $\overline{\text{DBB}}$, and $\overline{\text{ARTRY}}$, require a precharge to the inactive state (bus high) before going to tristate. The precharge duration in standard precharge mode is approximately one half cycle, and should be used for systems with point-to-point topologies. Extended precharge mode increases the precharge duration to one cycle. This increase may be required for bus speeds approaching 200 MHz when bus loading is high.

$\overline{\text{QACK}}$ in a logical high state at the transition of $\overline{\text{HRESET}}$ from asserted to negated enables standard precharge mode in the 750CL. $\overline{\text{QACK}}$ in a logical low state at the transition of $\overline{\text{HRESET}}$ from asserted to negated enables extended precharge mode in the 750CL.

5.11 JTAG Test Access Port (TAP) Operation

750CL supports the IEEE 1149.1 standard, "IEEE Standard Test Access Port and Boundary-Scan Architecture". The standard defines a 5-pin interface that is used to perform functions such as continuity testing between components on boards and system debug. Data is serially shifted into the processor through the TDI pin and shifted out of the processor through the TDO pin. The scan operations can be divided into two categories: instruction scan and data scan operations. The operations or modes are selected using the TMS pin. Finally, all scanning and mode selection is performed synchronously with respect to the clock pin, TCK.

This section details the IEEE 1149.1 operations supported by the 750CL processor and recommendations for system design to support system debug using the TAP interface. For additional details, see the IEEE 1149.1 document.

5.11.1 Interface Pins

Table 5-8 provides a brief description of the five dedicated pins of the Test Access Port (TAP). These pins do not have an associated boundary scan cell.

Table 5-8. TAP Pins

Pin	Input/Output	Weak Pullup	Mandatory TAP Pin	Function
TDI	Input	Yes	Yes	Serial Scan input pin
TDO	Output	No	Yes	Serial Scan output pin
TMS	Input	Yes	Yes	TAP controller mode pin
TCK	Input	No	Yes	Scan clock
$\overline{\text{TRST}}$	Input	Yes	No	TAP controller reset

$\overline{\text{TRST}}$ is an optional pin, but it is required for 750CL to reset the TAP controller on a power-on reset (POR). The 1149.1 standard requires a weak pullup only on the $\overline{\text{TRST}}$ pin, but in the 750CL, weak pullups are provided to most TAP input pins such that the 750CL will function normally with the TAP pins unconnected. However, it is recommended to tie the TDI and TMS input pins high and $\overline{\text{TRST}}$ low when they are not in use for greater system reliability.

5.11.2 Supported IEEE 1149 JTAG Instructions and Data Registers

5.11.2.1 Instructions

750CL supports the three required JTAG instructions; Bypass, Sample/Preload, and Exttest, plus the optional HIGHZ and CLAMP JTAG instructions. The 8-bit hexadecimal encoding for these instructions is shown in *Table 5-9*. Hexadecimal encodings not included in the table are reserved for other functions.

JTAG instructions are scanned serially (least significant bit first) into an 8-bit TAP controller instruction register through the TDI pin. Consult the IEEE 1149.1 standard for details regarding loading the JTAG instructions using the TAP.

Table 5-9. Instruction Encodings

Instruction	Encoding	Description
EXTEST	x'00'	JTAG extest instruction
SMPL_PLD	x'C0'	JTAG sample/preload instruction
HIGHZ	x'F0'	JTAG HIGHZ instruction
CLAMP	x'F1'	JTAG CLAMP instruction
BYPASS	x'FF'	JTAG bypass instruction

The instruction register output is forced to the Bypass instruction (all ones) if the TAP controller is in the Test_Logic_Reset state or if $\overline{\text{TRST}}$ is active.

5.11.2.2 Data Registers

750CL supports the Bypass and Boundary Scan data registers. When selected with the corresponding JTAG instruction (as shown in *Table 5-10*), the register is inserted between the TDI and TDO TAP pins and can be scanned when the TAP controlled is in "Shift-DR" state to control or observe 750CL input and output states. Consult the IEEE 1149.1 specification for details on manipulation of the data registers. An industry-standard boundary scan design language (BSDL) file is available for 750CL with specific information on the boundary scan latch size and organization. This document can be used to create card level connectivity tests between components.

Table 5-10. JTAG Instructions

Data Register	Instruction	TAP State	Scan Clock	Data Register Length
Bypass register	Bypass	Shift-DR	TCK	1
Boundary scan register	Sample/preload or extest	Shift-DR	TCK	169

Bypass Register

The Bypass register is required by the IEEE 1149.1 standard. This is a single bit register that is used to bypass the 750CL. This feature allows a shorter system data scan string when scanning an entire system board in which the 750CL boundary scan string is a part of a larger system data scan string.

Boundary Scan Register

The Boundary Scan register allows system board trace tests and access to the pins where physical access is difficult. Basically, a latch is placed on inputs to capture data, and a latch is placed on outputs to force data. Additional latches may be needed to configure bidirectional pins as either inputs or outputs and also to enable or disable tri-state outputs. All these latches, or boundary scan cells, are serially connected to comprise the boundary scan register.

Not all pins of the 750CL have an associated boundary scan cell. The five TAP pins and the dedicated test pins do not have a boundary scan cell.

An industry-standard BSDL file is available for the 750CL with specific information on the boundary scan register size and individual cell placement and function. This document can then be used to create card level connectivity tests between components.

5.11.3 Recommendations to Support System Debug

The TAP interface also allows functions such as observation and control of 750CL general-purpose registers, cache contents, 60x bus cycles, and so forth, using the IBM RISCWatch debug tool. To simplify system debug, the following system design recommendations are offered to allow use of RISCWatch and other diagnostic tools.

$\overline{\text{HRESET}}$, $\overline{\text{SRESET}}$, and $\overline{\text{TRST}}$ are signals used for RISCWatch to enable proper operation of the tool. Logical AND gates should be placed between these signals and the IBM PowerPC 750CL RISC microprocessor. See *Table 5-4, Input/Output Usage*, on page 46 and *Figure 5-6, IBM RISCWatch JTAG to HRESET, TRST, and SRESET Signal Connector*, on page 50 for more information.

5.11.3.1 Processor Debug System Enablement when Implementing Precharge Selection

System designers who want to use a processor debug system attached to the 750CL IEEE 1149.1 test access port (TAP) interface (such as the IBM RISCWatch debug system) should provide a method to assert $\overline{\text{QACK}}$ after the transition of $\overline{\text{HRESET}}$. Debug systems use a “soft stop” feature to stop the processor, allow processor internal states to be read, and then restart of the processor. A soft stop requires the system to be in a quiescent state before the processor can be queried for internal state values. This is accomplished by the assertion of a quiescent request (that is, $\overline{\text{QREQ}}$ is asserted) and subsequent acknowledgment (that is, $\overline{\text{QACK}}$ is asserted). Systems that do not use the power management features; doze, nap, and sleep; and do not require the extended pre-charge feature can drive the $\overline{\text{QACK}}$ pin with an inverted version of $\overline{\text{HRESET}}$.



Index

Numerics

32 bit data bus, 59
64 bit data bus, 59

A

absolute maximum ratings, 15
AC electrical characteristics, 17
adhesive materials vendors, 56
adhesives and thermal interface, 54

B

ball placement, 33
block diagram, 13
boundary scan, 28
boundary scan register, 61
branch processing unit, 9
bus input AC specifications, 21
bus interface, 11
bus output AC specifications, 24
bus output timing, 24
bypass register, 61

C

C4 package with heat sink, 53
capacitor decoupling, 39, 40
clock AC timing, 18
clock generator, 19
clock specifications, 18

D

data registers, 60
DC electrical characteristics, 15
debug system enablement, 61
decode, 9
decoupling capacitor layout, 41
design considerations, 19, 58
die temperature monitor, 42
dispatch unit, 9
driver impedance, 44
driver impedance measurement, 44

E

electrical characteristics, 15
electrical specifications, 16

F

FCPBGA, 30
features, 9
fixed point unit, 10
floating point unit, 10

G

general parameters, 14

H, I, J, K

heat sink requirements, 52
heat sink selection, 56
heat sink vendors, 52
IEEE timing, 27
input setup timing, 21
input timing, 22
input timing definition, 22
input usage, 45
instruction encodings, 60
JTAG AC timing, 27
JTAG clock input, 28
JTAG instructions, 60
JTAG test access port, 59

L

L1 cache, 10
L2 cache, 10
level 1 cache, 10
level 2 cache, 10
level protection, 58
linear sweep modulation profile, 20
load unit, 9

M

mechanical specifications, 31
memory management unit, 10
mode select, 58
mode select input, 23

O

output buffer DC impedance, 43
output timing, 26
output usage, 45
output valid timing, 25
overview, 9, 13

thermal diode schematic, 42
thermal interface vendors, 56
thermal management, 51
thermal performance, 55
TRST timing, 28

P

package, 30
package conduction, 53
package drawing, 31, 32
package exploded cross sectional, 51
package thermal characteristics, 16
part number, 12
pinout listing, 34
PLL configuration, 37
PLL power supply, 39
PLL power supply filter circuit, 39
power and ground connections, 42
power consumption, 17
power supply filtering, 39
precharge feature, 59
processor configuration, 58
processor version register, 12
PSI, 55
PVR, 12

R

recommended operating conditions, 15
reference clock, 37

S

signal assignments, 30
spread spectrum, 19
sscg, 19
store unit, 9
sysclk input timing, 19
system debug support, 61
system design, 37
system unit, 10

T

TAP interface pins, 59
TAP operation, 59
test access port, 29
testability, 11
thermal characteristics, 15



Revision Log

Revision Date	Contents of Modification
May 29, 2007	Version 2.4 <ul style="list-style-type: none">• Changed the reliability grade (see <i>Section 1.3, Part Number Information</i>, on page 12).• Changed the power consumption values for the 1000 MHz part (see <i>Table 3-5, Power Consumption</i>, on page 17).
March 5, 2007	Version 2.3 <ul style="list-style-type: none">• Updated the list of PowerPC 750CL features (see <i>Section 1.1</i> on page 9).• Changed the Processor Version Register number (see <i>Table 1-1</i> on page 12).• Changed the part number information (see <i>Section 1.3</i> on page 12).• Updated the PowerPC 750CL Microprocessor Block Diagram (see <i>Table 2-1</i> on page 13).• Changed the description of the core power supply (see <i>Table 2-2</i> on page 14).• Added a note about ESD ratings (see <i>Table 3-1</i> on page 15).• Updated the recommended operating conditions (see <i>Table 3-2</i> on page 15).• Updated the DC electrical specifications (see <i>Table 3-4</i> on page 16).• Updated the power consumption table (see <i>Table 3-5</i> on page 17).• Updated the clock AC timing specifications (see <i>Table 3-6</i> on page 18).• Changed some values for AC timing reference levels (see <i>Table 3-7</i> on page 21).• Updated the 60x Bus Output AC Timing Specifications (see <i>Table 3-8</i> on page 24).• Updated the JTAG AC Timing Specifications (see <i>Table 3-9</i> on page 27).• Corrected the number of balls in the 750CL package (see <i>Section 4</i> on page 30).• Corrected a footnote (see <i>Table 4-1</i> on page 34).• Removed two footnotes (see <i>Table 5-1</i> on page 37).• Changed the description of the \overline{DBWO} signal (see <i>Table 5-4</i> on page 46).• Corrected the list of 750CL heat-sink vendors (see <i>Table 5-5</i> on page 52).• Corrected the list of 750CL thermal interface and adhesive materials vendors (see <i>Table 5-6</i> on page 56).• Updated the Summary of Mode Select table (see <i>Table 5-7</i> on page 58).
October 5, 2006	Version 2.2—Preliminary updated version of the datasheet
September 30, 2006	Version 2.1—Preliminary updated version of the datasheet
August 20, 2006	Version 2.0—Preliminary version of the datasheet