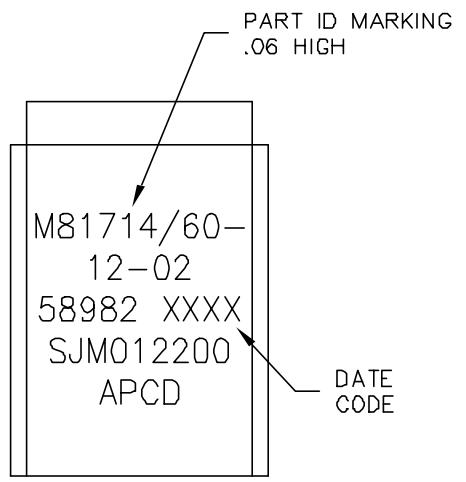
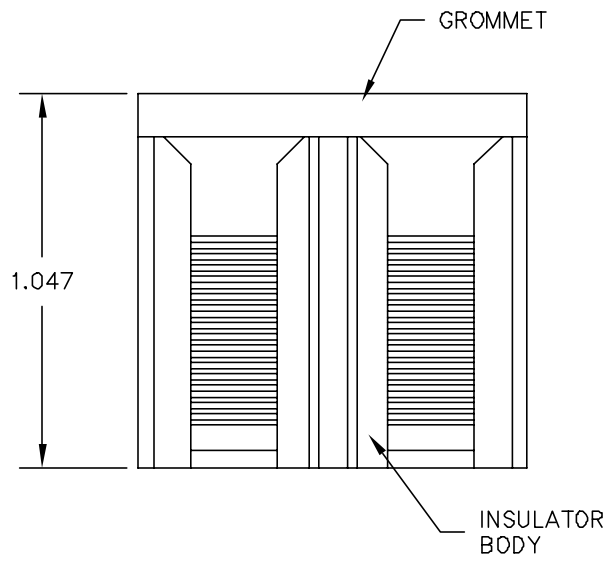
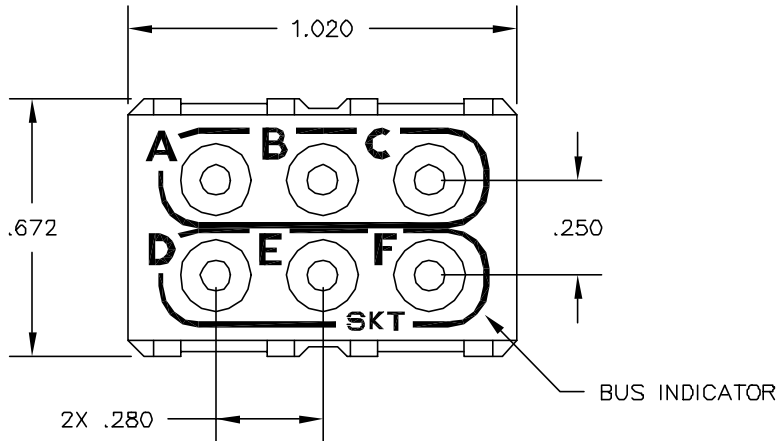


REV	ECN	APP'D
-	5430	JT 4/13/04



NOTES:

- MATERIALS:**  
 BODY: POLYETHERIMIDE PER MIL-P-46184.  
 GROMMET: SILICONE BLEND ELASTOMER.  
 CONTACT RETAINERS: BERYLLIUM COPPER.  
 INTERNAL PIN CONTACTS: COPPER ALLOY, HARD GOLD PLATE PER MIL-G-45204.
- PERFORMANCE SPECIFICATIONS:**  
 OPERATING TEMP: -65° TO 200°C  
 INSULATION RESISTANCE: 5000 MEGOHMS MIN @ 25°C  
 DIELECTRIC WITHSTANDING VOLTAGE: 1500 VRMS AT SEA LEVEL AND 200 VRMS AT 110,000 FT. ALTITUDE.  
 CURRENT RATING: 23 AMPS  
 VIBRATION AND SHOCK: PER MIL-T-81714, PARAGRAPH 3.5.5 AND 3.5.8.
- MODULE SUPPLIED WITH SEVEN (7) M39029/22-605 SOCKET CONTACTS AND TWO (2) MS27488-12 SEALING PLUGS.

SOCKET CONTACT BOM		
APCD P/N	DESCRIPTION	QTY.
CNS123900	M39029/22-605 CONTACT, SZ12/12	7
CNA032403	SEALING PLUG, SZ12, YELLOW	2

DIMENSIONS ANSI Y14.5M UNITS: INCHES ACAD FILE	TOLERANCES .XX ±.01 .XXX ±.005 ANGLES ±2°	PROJECTION 	<b>Amphenol Pcd</b> SPECIFICATION DRAWING		TITLE SOCKET JUNCTION MODULE SIZE 12 - 2-BUS M81714/60-12-02			
			ENGR S. KONDO 3/29/04					SIZE A
ORIGINAL	THIS DOCUMENT CONTAINS PROPRIETARY INFORMATION WHICH IS THE CONFIDENTIAL PROPERTY OF AMPHENOL PCD INC. PEABODY, MA		CHKD D. GANDHI 4/13/04		CODE: 58982		SCALE: 2X	SHEET 1 OF 1
			APPD J. TON 4/13/04					