

# Type CSC-08

## Fuse Clip – Ear Type w/ End Stops

### 5mm Diameter Fuses



www.optifuse.com

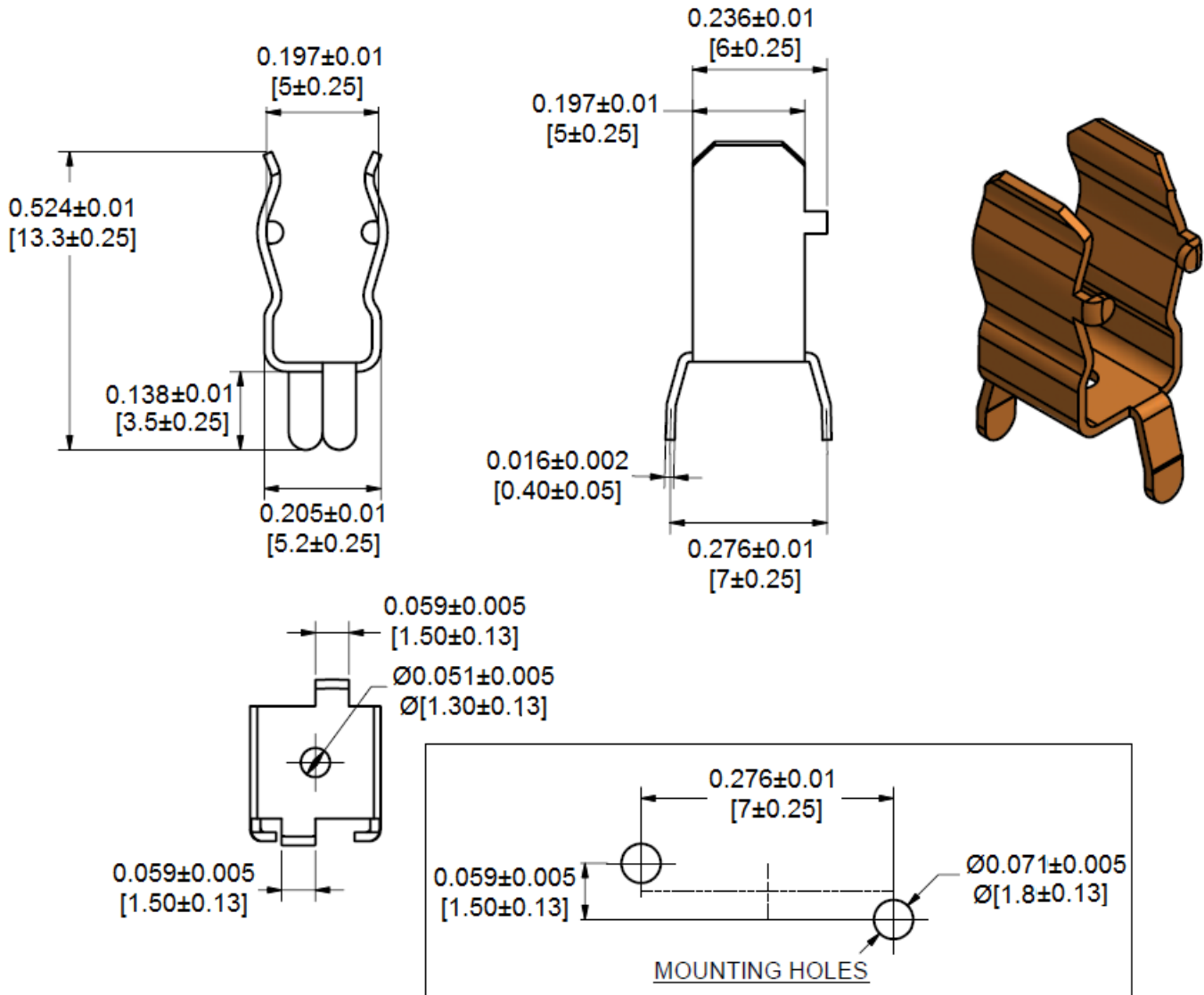
(619) 593-5050

**Specifications:**

- Rating: 10A
- Body Material: Phosphor Bronze
- Finish: Tin Plated
- Fuse Clip Type: Ear Type with End Stops

For use with 5mm Diameter Fuses

**Mechanical Dimensions: Inches [mm]**



**Warning:**



-Operation beyond the specified maximum ratings or improper use may result in damage and possible electrical arcing and/or flame.

-Avoid contact of device with chemical solvent. Prolonged contact may damage the device performance.

Note: All specifications subject to change without notice.

Rev A 02/2012 - Page: 1/1  
Code J01-01H