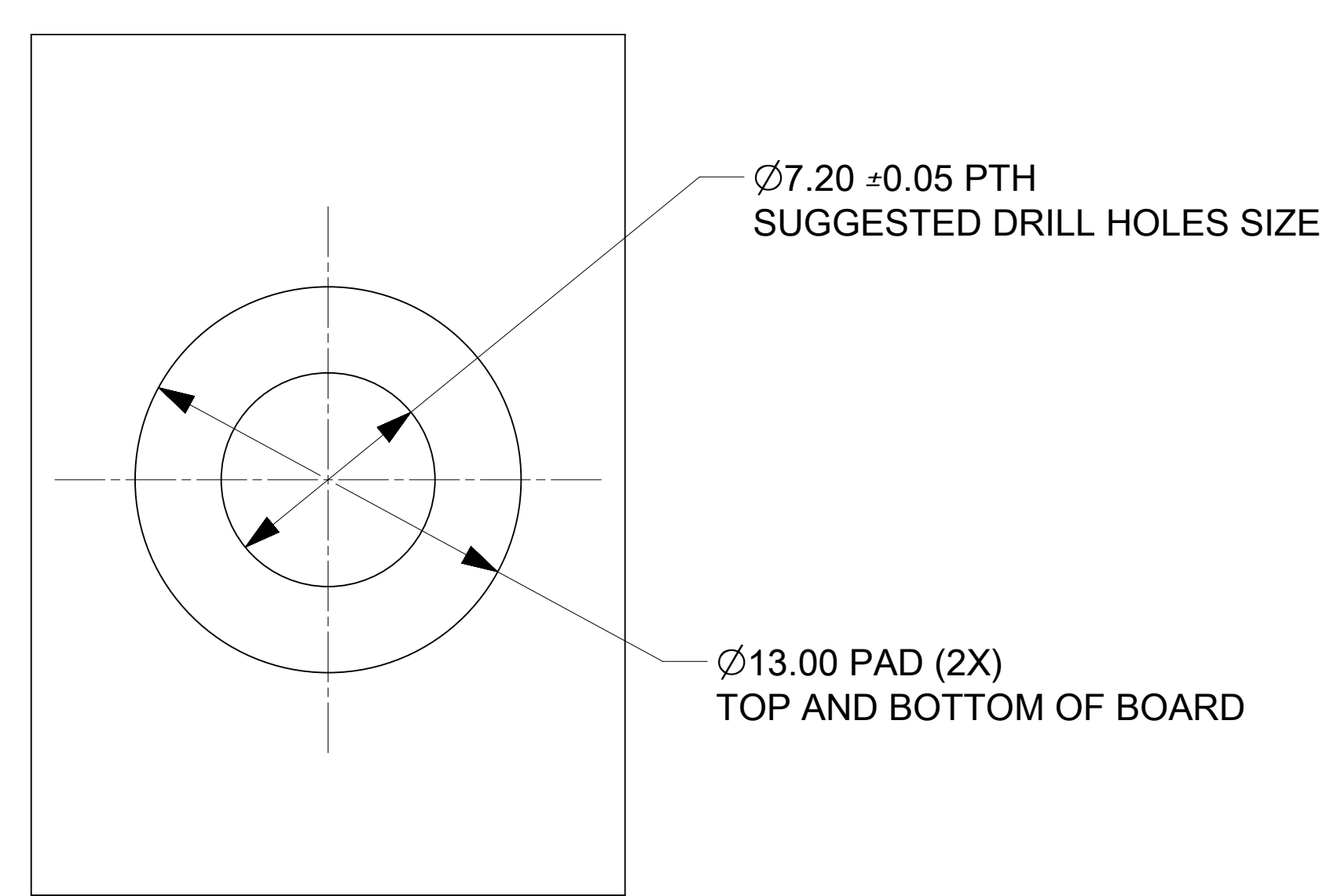
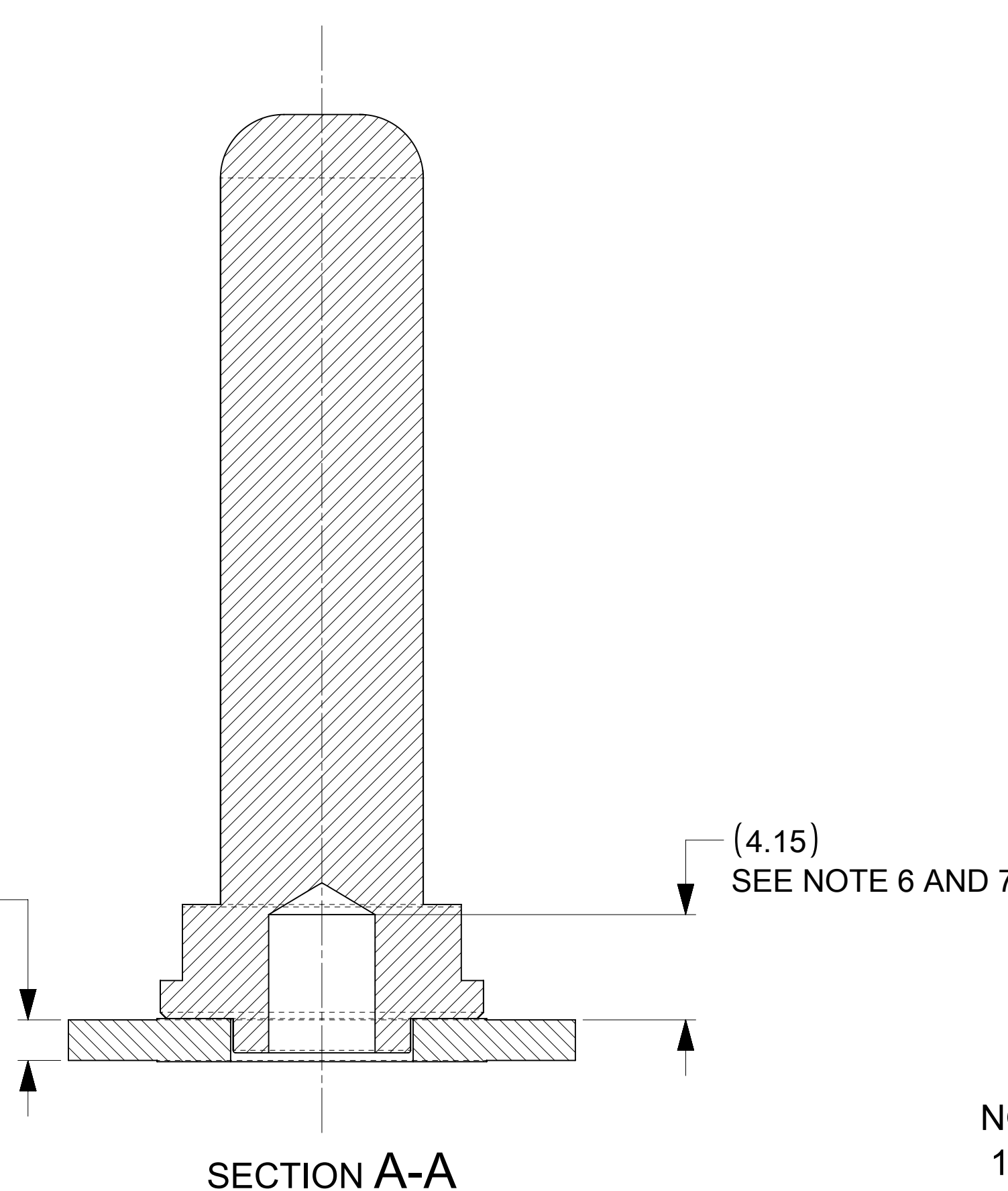


MINIMUM BOARD THICKNESS IS 1.58MM



PART NUMBER	DIMENSION "L"
2032635085	46.05
2032635185	36.05
2032635285	21.05
2032635385	31.05
2032635485	29.55
2032635585	28.60
2032635685	37.80

- NOTES:
- MATERIAL:
BASE METAL: HIGH CONDUCTIVE COPPER ALLOY
PLATING ON BODY: 3.18 MICRON MIN SILVER OVER 1.27 MICRON MIN NICKEL
 - PRODUCT SPECIFICATION: 2043130001-PS
 - APPLICATION SPECIFICATION: 2043130001-AS
 - PACKAGING SPECIFICATION: 2032630006-PK
 - SILVER COMPONENTS WILL BE SUPPLIED TARNISH FREE BUT MAY TARNISH OVER TIME.
 - PART TO BE MOUNTED WITH CONDUCTIVE M5x6mm SCREW AND CONDUCTIVE BELLVILLE WASHER FOR OPTIMAL PERFORMANCE
 - SCREW LENGTH TO BE DETERMINED BY CUSTOMER, SCREWS AND WASHERS ARE NOT SUPPLIED BY MOLEX.

THIS DRAWING CONTAINS INFORMATION THAT IS PROPRIETARY TO MOLEX ELECTRONIC TECHNOLOGIES, LLC AND SHOULD NOT BE USED WITHOUT WRITTEN PERMISSION															
DIMENSION UNITS mm		SCALE 2:1		CURRENT REV DESC: BLEED HOLE REMOVED				molex							
GENERAL TOLERANCES (UNLESS SPECIFIED)				EC NO: 642847								CST 8MM SCREW MOUNTED MALE TERMINAL THIN BOARD			
ANGULAR TOL ± 0.5°		4 PLACES ±		3 PLACES ±		2 PLACES ± 0.15		1 PLACE ± 0.25		0 PLACES ±		PRODUCT CUSTOMER DRAWING			
DRAFT WHERE APPLICABLE MUST REMAIN WITHIN DIMENSIONS		THIRD ANGLE PROJECTION		DRAWING		SERIES		MATERIAL NUMBER		CUSTOMER		SHEET NUMBER			
		D-SIZE		203263		SEE CHART		GENERAL MARKET		1 OF 1					