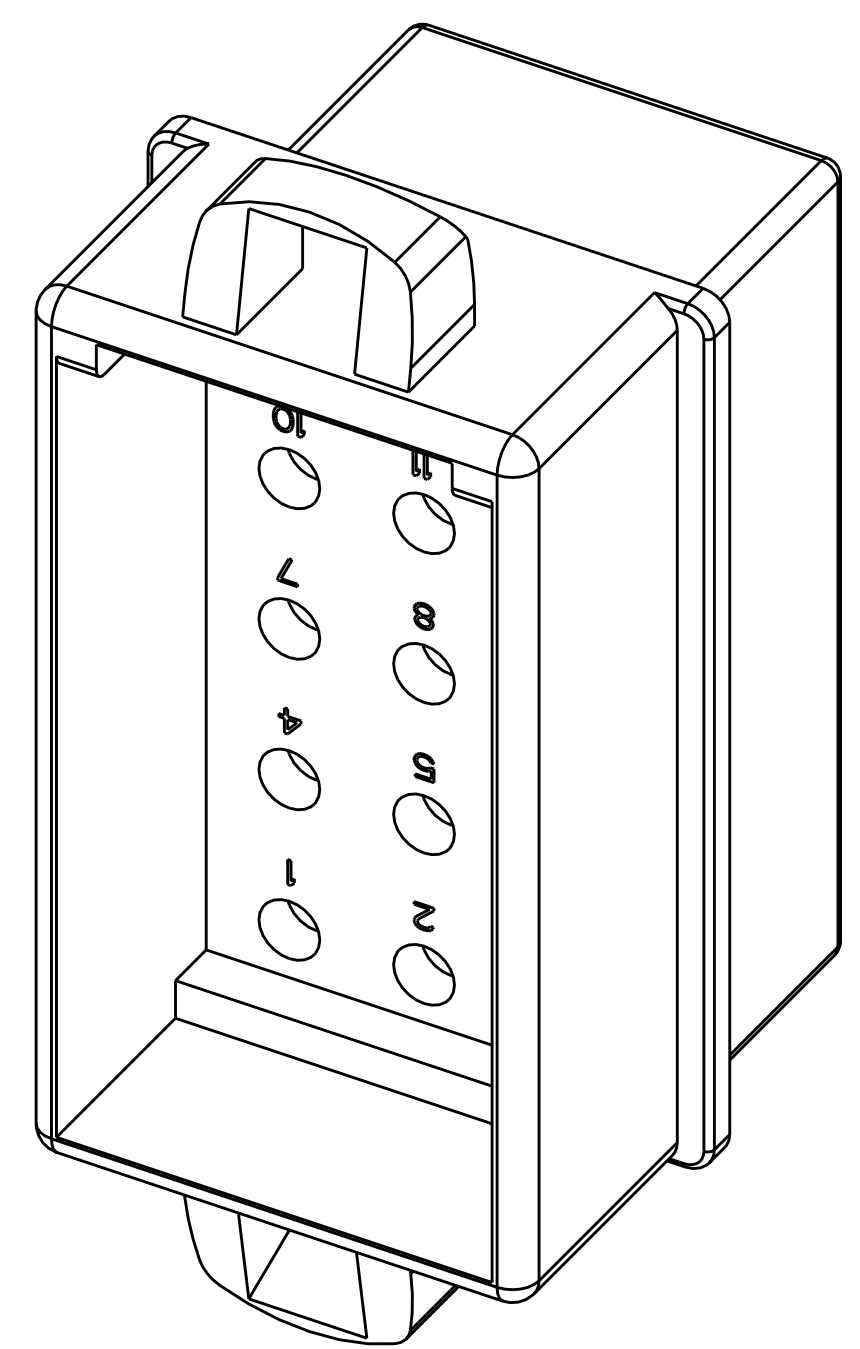
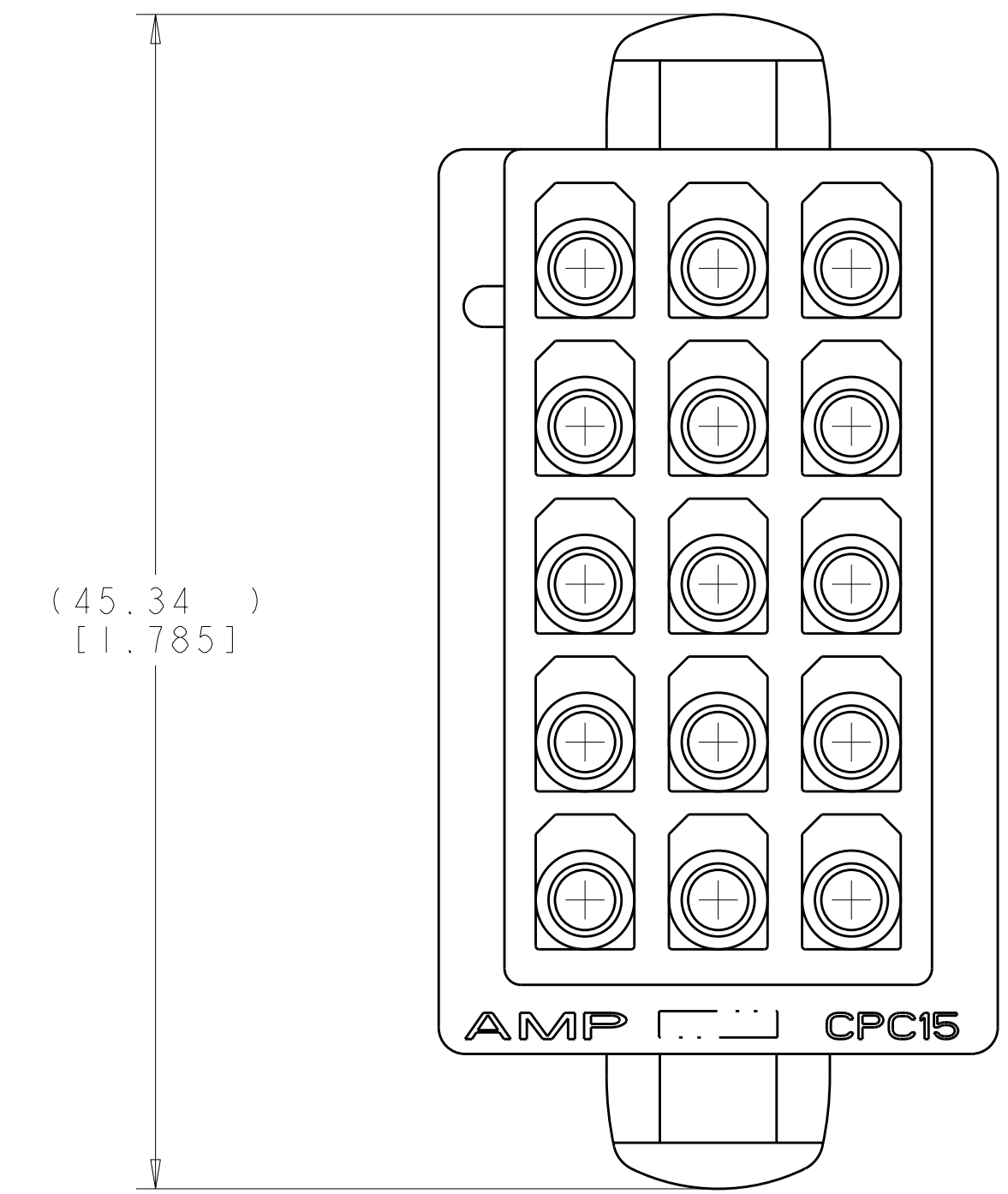
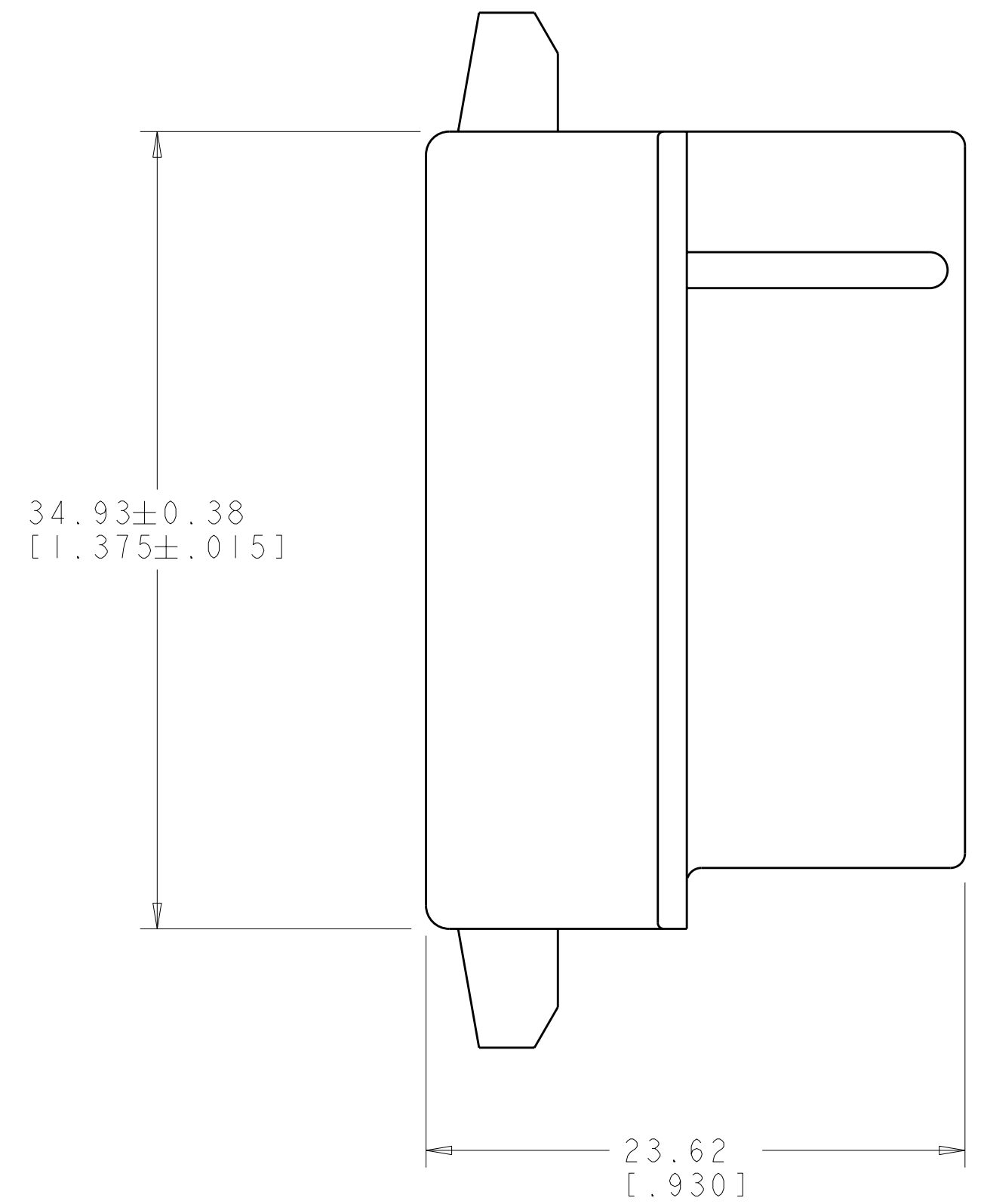
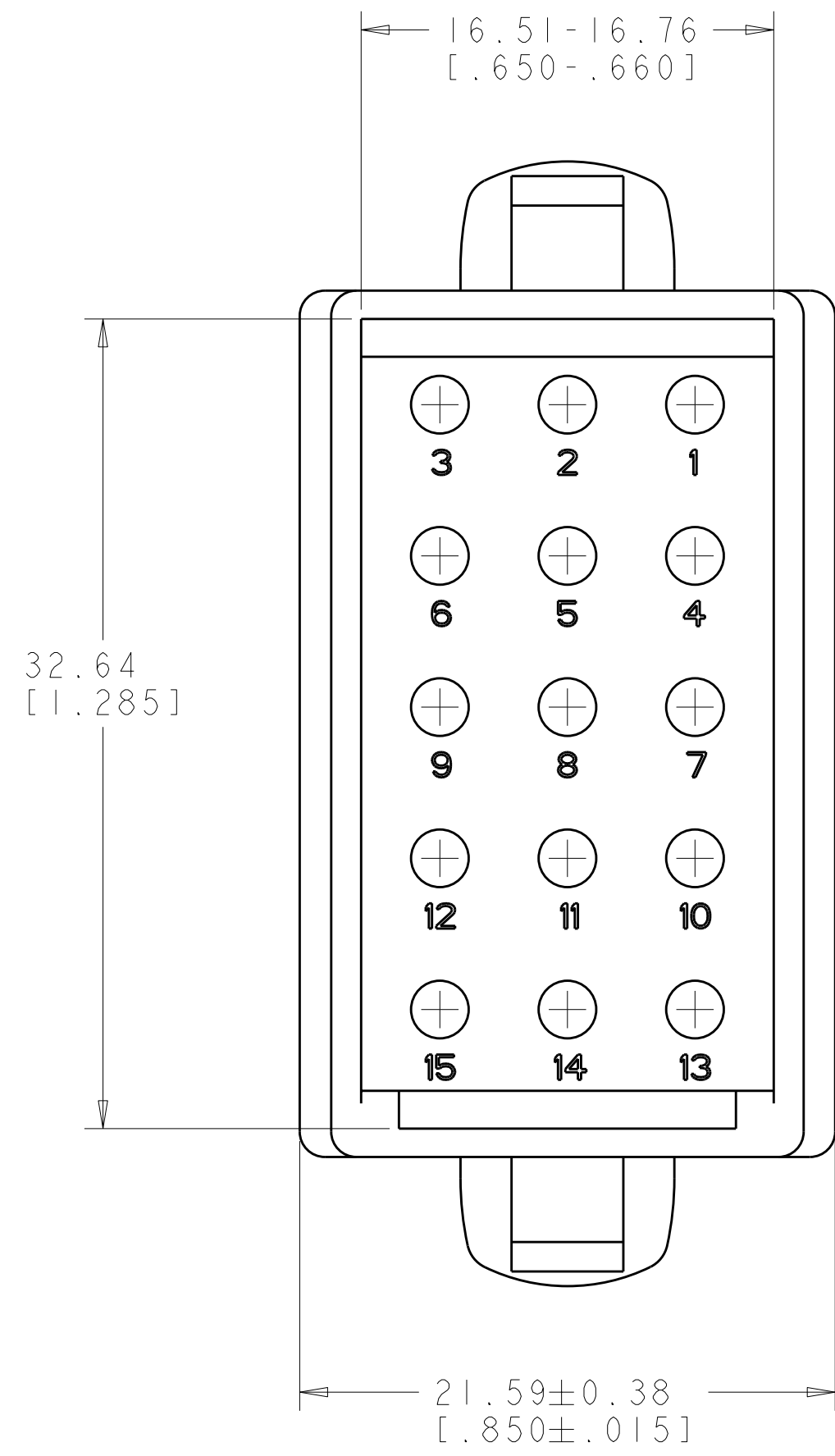


LOC	DIST	REV	DATE	DWN	APVD
CM	00	T	ECO-08-007186	19MAR2008	KW CC

1. TO BE USED WITH MATE-N-LOK™ PINS.
2. THIS CAP TO BE USED WITH PLUG 480323.



0.397 IN <sup>3</sup>	1-480324-0
VOLUME	PART NUMBER

DIMENSIONS: mm [ INCHES ] TOLERANCES UNLESS OTHERWISE SPECIFIED: 9 PLC ± 8 PLC ±0.13 [ 1.005 ] 5 PLC ± 4 PLC ± ANGLES ±1° MATERIAL NYLON, NATURAL FINISH -		DWN R. WHITAKER 19MAR2008 CHK C. CASH 19MAR2008 APVD C. CASH 19MAR2008 PRODUCT SPEC APPLICATION SPEC WEIGHT CUSTOMER DRAWING		Tyco Electronics Harrisburg, PA 17105-3608 NAME CAP, 15 CIRCUIT, MATE-N-LOK (TM) SIZE CAGE CODE DRAWING NO. RESTRICTED TO A100779C-480324 SCALE 4:1 SHEET 1 OF 1 REV T	
--	--	--	--	--	--

**METRIC**