

## CTSPI3D18F Series

From 0.27µH to 1,500µH



### SPECIFICATIONS

Please specify tolerance code when ordering.  
CTSPI3D18F-R27 ← M = ±20%, N = ±30%

Part Number	Inductance (µH)	Tolerance (±%)	DCR Typ. (Ω)	IDC Typ. (mA)	I <sub>rms</sub> Typ. (mA)	Color Coding
CTSPI3D18F-R27_	0.27	20, 30	0.019	2900	4600	Red
CTSPI3D18F-R47_	0.47	20, 30	0.029	2700	3600	Blue
CTSPI3D18F-R68_	0.68	20, 30	0.032	2600	3000	Gray
CTSPI3D18F-1R0_	1.0	20, 30	0.038	2600	2400	Black
CTSPI3D18F-1R2_	1.2	20, 30	0.044	2400	2200	Brown
CTSPI3D18F-1R5_	1.5	20, 30	0.050	2200	2200	Red
CTSPI3D18F-1R8_	1.8	20, 30	0.058	1900	2000	Orange
CTSPI3D18F-2R2_	2.2	20, 30	0.062	1800	1900	Yellow
CTSPI3D18F-2R7_	2.7	20, 30	0.068	1700	1800	Green
CTSPI3D18F-3R3_	3.3	20, 30	0.080	1500	1650	Blue
CTSPI3D18F-3R9_	3.9	20, 30	0.084	1400	1560	Violet
CTSPI3D18F-4R7_	4.7	20, 30	0.099	1220	1400	Gray
CTSPI3D18F-5R6_	5.6	20, 30	0.110	1160	1300	White
CTSPI3D18F-6R8_	6.8	20, 30	0.128	1020	1200	Black
CTSPI3D18F-8R2_	8.2	20, 30	0.146	1000	1150	Brown
CTSPI3D18F-100M	10	20	0.165	900	1050	Red
CTSPI3D18F-120M	12	20	0.254	840	800	Orange
CTSPI3D18F-150M	15	20	0.320	740	720	Yellow
CTSPI3D18F-180M	18	20	0.360	700	680	Green
CTSPI3D18F-220M	22	20	0.418	600	650	Blue
CTSPI3D18F-270M	27	20	0.450	560	600	Violet
CTSPI3D18F-330M	33	20	0.620	460	580	Gray
CTSPI3D18F-390M	39	20	0.650	450	480	White
CTSPI3D18F-470M	47	20	0.790	430	450	Black
CTSPI3D18F-560M	56	20	0.862	380	400	Brown
CTSPI3D18F-680M	68	20	0.975	300	360	Red
CTSPI3D18F-101M	100	20	1.380	260	360	Yellow
CTSPI3D18F-151M	150	20	2.410	180	320	Yellow
CTSPI3D18F-181M	180	20	3.420	180	290	Violet
CTSPI3D18F-221M	220	20	3.900	150	290	Red
CTSPI3D18F-331M	330	20	5.170	140	240	Orange
CTSPI3D18F-471M	470	20	8.420	120	190	Green
CTSPI3D18F-681M	680	20	10.30	100	160	Blue
CTSPI3D18F-102M	1000	20	15.20	80	130	Black
CTSPI3D18F-152M	1500	20	25.00	70	100	Black

### CHARACTERISTICS

**Description:** SMD Shielded Power Inductors (low profile)

**Applications:** Cellular phones, PDAs, DVC, DSC, digital cameras, and hard disk drives

**Operating Temperature:** -40°C to +105°C

**Testing:** Inductance is tested on an HP4284A at 1KHz/1.0V

**IDC:** For inductance 10% or 35% from its value without current

**I<sub>rms</sub>:** For a 25°C or 40°C rise above 25°C ambient

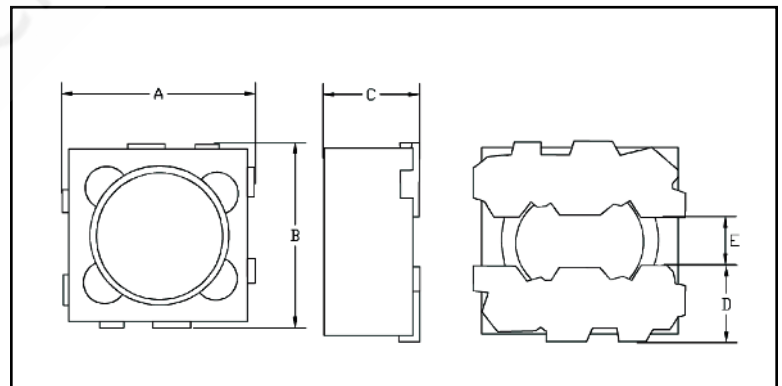
**Packaging:** Tape & Reel.

**Additional Information:** Additional electrical & physical information available upon request.

**Samples available. See website for ordering information.**

### PHYSICAL DIMENSIONS

Size	A	B	C Max.	D	E
mm	4.2±0.2	4.2±0.2	1.80	1.3	1.6
inches	0.165±0.008	0.165±0.008	0.071	0.051	0.063



### PAD LAYOUT

