

MOLEX PART NUMBER  
YDDLSSSS

P/N: 111038XXXX  
S/N: YDDLSSSS  
X.XM XXAWG

Y---YEAR, THE LAST DIGIT OF YEAR  
(Y - IS08601 LAST DIGIT OF YEAR)

DDD---DAY OF THE YEAR  
(DDD - IS08601 DAY OF THE YEAR)

L---LOCATION  
1 = USA  
2 = MEXICO  
3 = CHINA

SSSS---SERIAL NO.

CABLE LABEL X2  
(LABEL ON ONE END ONLY  
FOR CABLES UNDER 2 METERS)

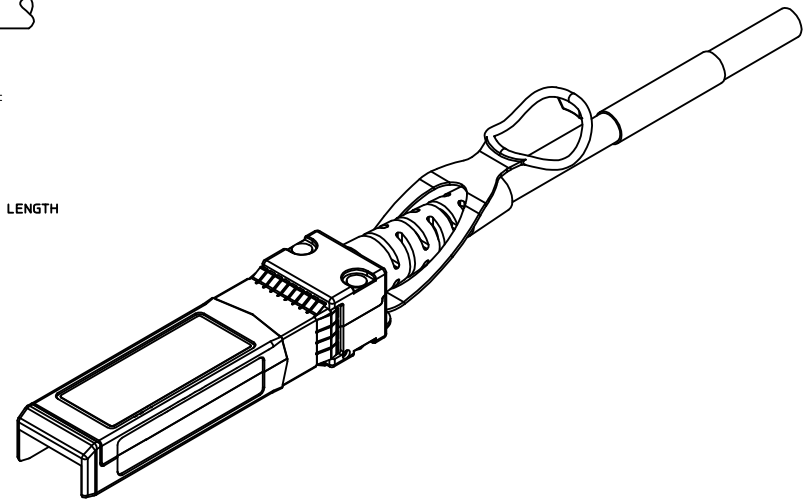
X.XM --- CABLE LENGTH

CLEAR POLY WRAP

WIRING DIAGRAM

P1 END		P2 END	
PAD	SIGNAL	PAD	SIGNAL
12	RD-	19	TD-
13	RD+	18	TD+
18	TD+	13	RD+
19	TD-	12	RD-

- NOTES:
1. CUSTOM LENGTHS AND FEATURES AVAILABLE.
  2. SEE DATASHEET FOR MORE INFORMATION.
  3. MATERIALS  
BACKSHELLS - NICKEL PLATED ZINC  
DE-LATCH - NYLON  
PCB - FR-4  
RIVETS - STAINLESS STEEL
  4. IMPEDANCE - 100 OHMS DIFFERENTIAL, PASSIVE
  5. PULL TO RELEASE, PLUNGER STYLE LATCH
  6. EACH ASSEMBLY HAS A SERIAL ID
  7. 11.30 Gbps BACKWARDS COMPATIBLE TO 2.0 Gbps
  8. PACKAGING DRAWING IS RPK-111038-002
  9. RoHS COMPLIANT W/ EXEMPTIONS




PART NUMBER	AWG	EEPROM REV	LENGTH	TOLERANCE
1110381101	30	C	1.0M	±0.05M
1110381301	30	C	3.0M	±0.05M
1110381501	30	C	5.0M	±0.08M
1110381701	30	C	7.0M	±0.08M
1110389002	28	C	10.0M	±0.10M

<b>RoHS NOTE &amp; RPK</b> IEC NO: CPG2013-2128 DRAWN BY: DRWNGPEREZ 2012/10/19 CHECKED BY: CHYKCHIRSHY 2013/01/07 APPROVED BY: APPR:RWKJAN 2013/01/09 REV DESCRIPTION	QUALITY SYMBOLS	GENERAL TOLERANCES (UNLESS SPECIFIED)	DIMENSION STYLE	SCALE	DESIGN UNITS	THIRD ANGLE PROJECTION	
	▽=0	mm INCH	MM ONLY	3:1	METRIC	☉	
	▽=0	4 PLACES +--- +--- 3 PLACES +--- +--- 2 PLACES +--- +--- 1 PLACE +--- +--- 0 PLACE +--- +---	DRAFT WHERE APPLICABLE MUST REMAIN WITHIN DIMENSIONS	SEE CHART			
	▽=0	ANGULAR ±--- ±---					
			MATERIAL NO.	DOCUMENT NO.	TITLE		
					SFP+ 10G ACTIVE CABLE ASSEMBLY W/ EQUALIZATION AND PRE-EMPHASIS		
					SD-111038-001		
					SHEET NO. 1 OF 2		

REVISION HISTORY

DATE	REV	DESCRIPTION
2012/12/19	J	ADDED REV HISTORY TABLE. UPDATED RoHS NOTE. ADDED PACKAGING DRAWING NOTE. REMOVED ESD BAG DRAWING.

<b>RoHS NOTE &amp; RPK</b> IEC NO: CPG2013-228 DRWN: PEREZ 2012/12/19 CHYK: GHIRSCHY 2013/01/07 APPR: RMKHAN 2013/01/09	QUALITY SYMBOLS ▽=0 ▽=0 ▽=0	GENERAL TOLERANCES (UNLESS SPECIFIED) <table border="1"> <thead> <tr> <th></th> <th>mm</th> <th>INCH</th> </tr> </thead> <tbody> <tr> <td>4 PLACES</td> <td>±----</td> <td>±----</td> </tr> <tr> <td>3 PLACES</td> <td>±----</td> <td>±----</td> </tr> <tr> <td>2 PLACES</td> <td>±----</td> <td>±----</td> </tr> <tr> <td>1 PLACE</td> <td>±----</td> <td>±----</td> </tr> <tr> <td>0 PLACE</td> <td>±----</td> <td>±----</td> </tr> </tbody> </table>		mm	INCH	4 PLACES	±----	±----	3 PLACES	±----	±----	2 PLACES	±----	±----	1 PLACE	±----	±----	0 PLACE	±----	±----	DIMENSION STYLE <b>MM ONLY</b>	SCALE <b>1:1</b>	DESIGN UNITS <b>METRIC</b>	THIRD ANGLE PROJECTION
		mm	INCH																					
	4 PLACES	±----	±----																					
	3 PLACES	±----	±----																					
2 PLACES	±----	±----																						
1 PLACE	±----	±----																						
0 PLACE	±----	±----																						
DRAWN BY KLLOYD	DATE 2008/08/08	CHECKED BY GBWALZ	DATE 2008/08/08	APPROVED BY GBWALZ	DATE 2008/08/08	TITLE <b>SFP+ 10G ACTIVE CABLE ASSEMBLY W/ EQUALIZATION AND PRE-EMPHASIS</b>																		
MATERIAL NO. <b>SEE SHEET 1</b>	DOCUMENT NO. <b>SD-111038-001</b>	SHEET NO. <b>2 OF 2</b>																						
DRAFT WHERE APPLICABLE MUST REMAIN WITHIN DIMENSIONS						THIS DRAWING CONTAINS INFORMATION THAT IS PROPRIETARY TO MOLEX INCORPORATED AND SHOULD NOT BE USED WITHOUT WRITTEN PERMISSION																		