

6

5

4

3

2

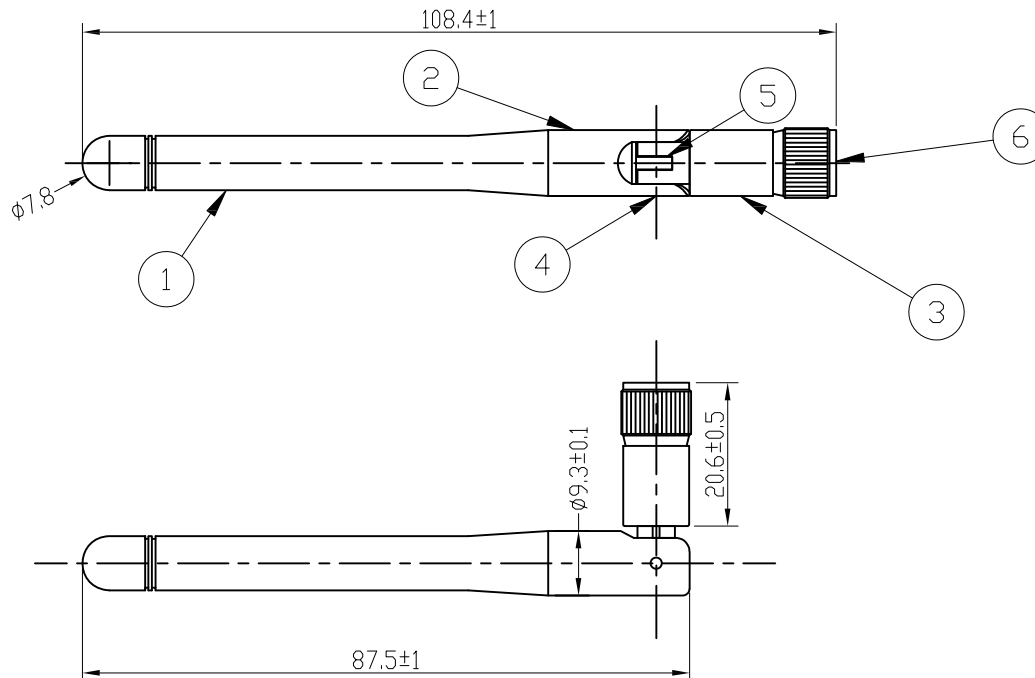
1

APPROVED: \_\_\_\_\_

DATE: \_\_\_\_\_ TITLE: \_\_\_\_\_

CUSTOM CABLE ASSEMBLIES ARE NON-CANCELLABLE / NON-RETURNABLE

Rev	AWO #	Description	Date	Appr
-		RELEASED	11/15/18	
A		UPDATE DIM.	7/25/19	AY/LW
B		UPDATE DIM.	10/28/21	WX/RC



6	CONNECTOR	SMA ST. PLUG REVERSE
5	CABLE	RG178 50Ω
4	RIVET	PDM;BLACK
3	BOTTOM BASE	PBT;BLACK
2	UPPER BASE	PC;BLACK
1	ANTENNA CAP	TPE;BLACK
ITEM	PART NAME	MATERIAL

### SPECIFICATION

#### ELECTICAL PROPERTIES

FREQUENCY RANGE: 2.4~2.5/4.9~5.8 GHz

IMPEDANCE: 50Ω

VSWR: 1.92:1MAX

RETURN LOSS: -10dB MAX

RADIATION: OMNI-DIRECTIONAL

GAIN: 2.0dBi

POLARIZATION: LINEAR VERTICAL

ADMITTED POWER: 1W

#### PHYSICAL PROPERTIES

ANTENNA COVER: TPE

ANTENNA BASE: PC

ANTENNA: PBT

COLOR: BLACK

CONNECTOR: SMA ST. PR

OPERATING TEMPERATURE: -40~+80

STORAGE TEMPERATURE: -45~+85

#### ENVIRONMENTAL:

LEAD FREE, ROHS COMPLIANT



UNLESS OTHERWISE SPECIFIED ALL DIMENSIONS ARE MILLIMETERS. TOLERANCES: EXCEPT AS NOTED		
MM		
X	± 0.50	
X.X	± 0.20	
X.XX	± 0.10	



909 Rahway Avenue,  
Union, NJ 07083  
Phone: 908-687-5000  
Fax: 908-687-5710

DRAWN	AY	11/15/18
CHECKED	AC	11/15/18
APPROVED		

TITLE		
WLAN EXTERNAL ANTENNA		

THIS DRAWING CONTAINS INFORMATION THAT IS PROPRIETARY AND SHOULD NOT BE USED WITHOUT PRIOR WRITTEN PERMISSION FROM ADAM TECH

SIZE	PART NO.	REV.
X	ANT-DK-DB1DI-2AB(C)-	B
REF: S00111C	SCALE: NTS	SHEET 1 OF 1

6

5

4

3

2

1