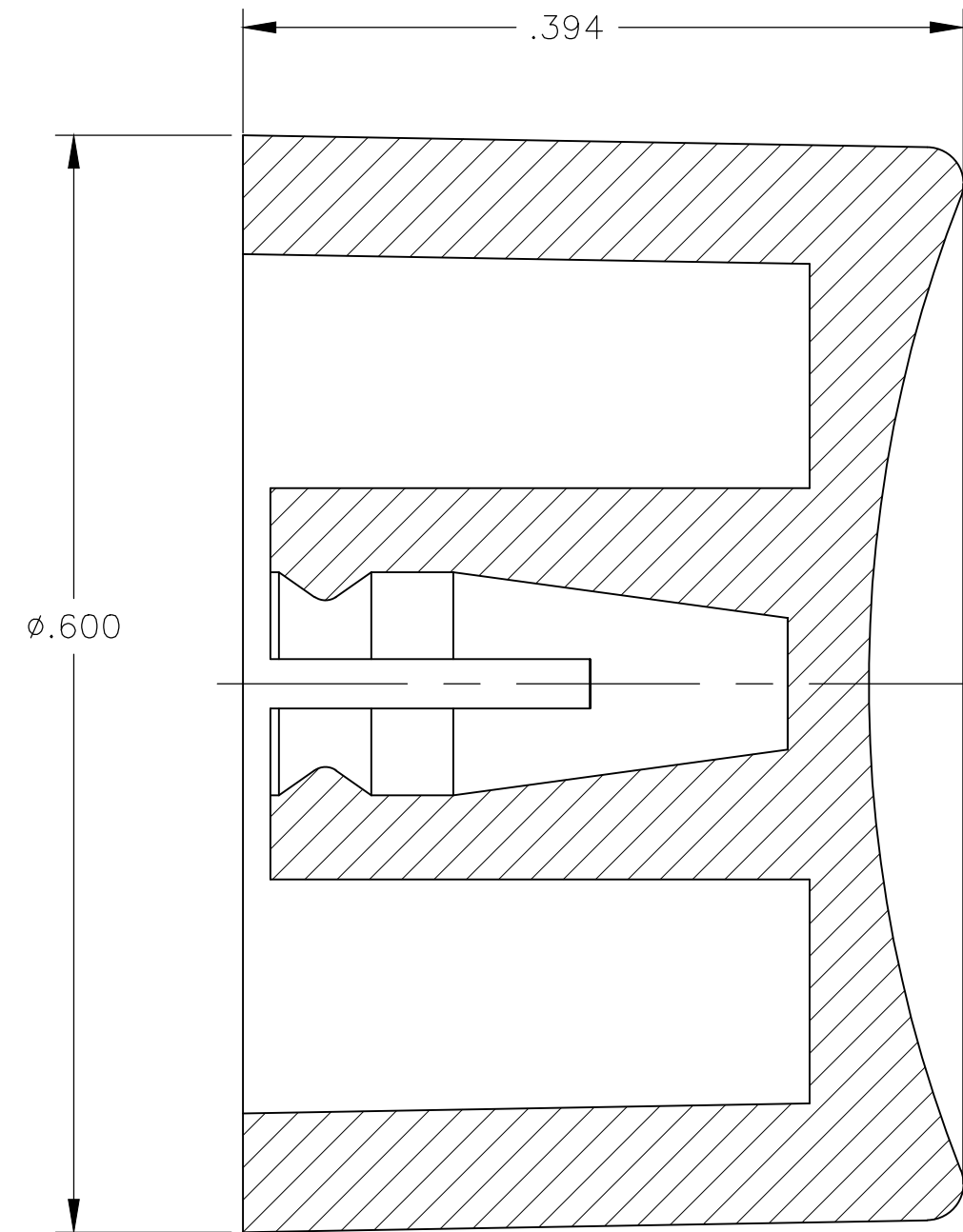
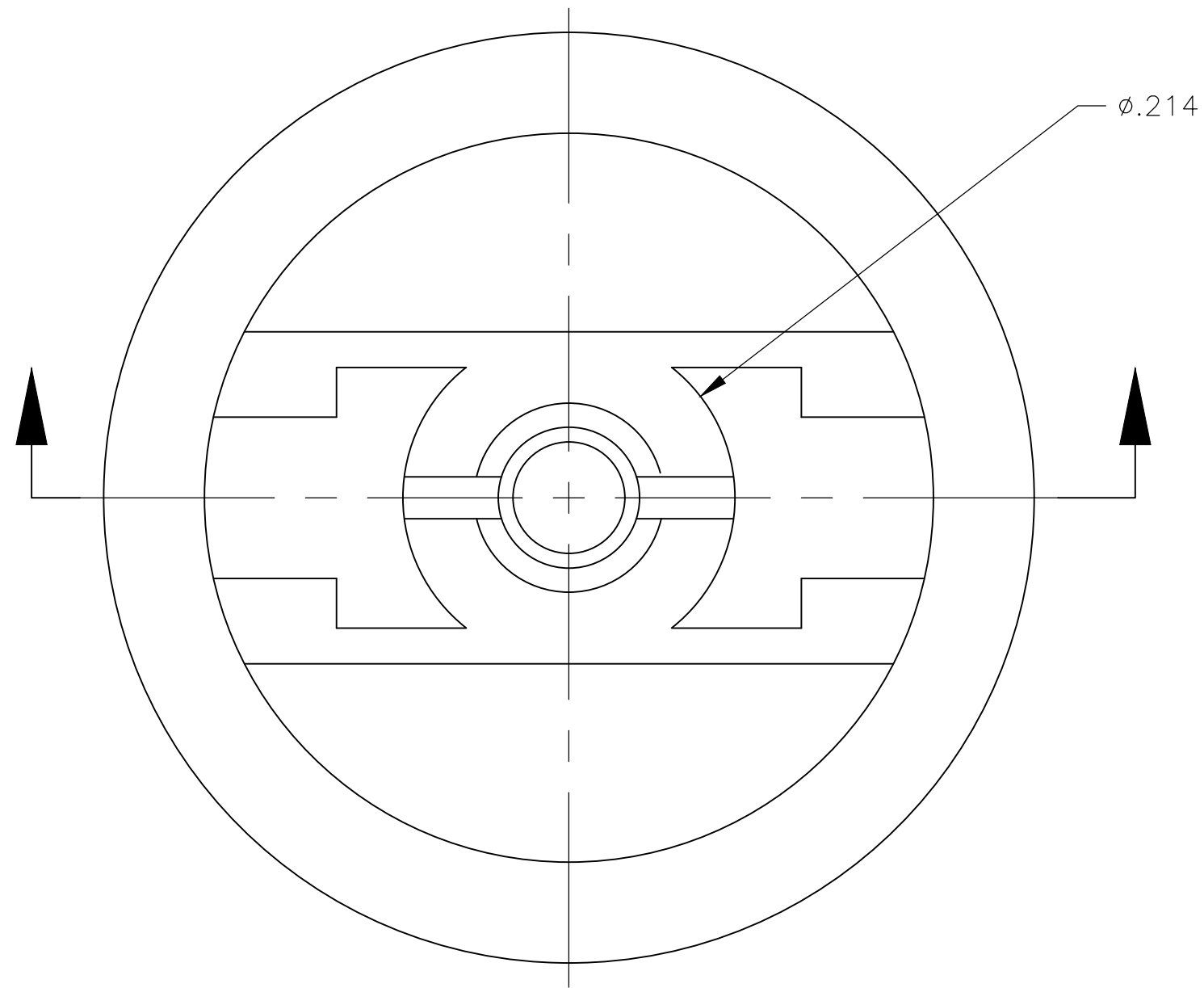


THIS DRAWING IS UNPUBLISHED. RELEASED FOR PUBLICATION
 © COPYRIGHT - By - ALL RIGHTS RESERVED.

REVISIONS					
P	LTR	DESCRIPTION	DATE	DWN	APVD
A2		ECR-16-017266	01JUN2018	SR	PO



OBSOLETE	WHITE	C23904	1825069-7
	BLUE	C23604	1825069-6
	GREEN	C23504	1825069-5
OBSOLETE	YELLOW	C23404	1825069-4
	ORANGE	C23304	1825069-3
	RED	C23204	1825069-2
	BLACK	C23004	1825069-1
COLOR	ALCO PART NUMBER	TE PART NUMBER	

- MATERIAL SHALL COMPLY WITH EU DIRECTIVE 2002/95/EC OF 20JAN2003 (ROHS)
- CAP FOR USE WITH GREEN SERIES PUSHBUTTON SWITCHES AS SHOWN ON DRAWINGS 4-1437567-3 AND 2-1437567-9

THIS DRAWING IS A CONTROLLED DOCUMENT.		DWN	M.BINNER	30NOV04	 TE Connectivity Ltd.
DIMENSIONS: INCHES		CHK	M.ZITTO	30NOV04	
TOLERANCES UNLESS OTHERWISE SPECIFIED:		APVD	M.ZITTO	30NOV04	
0 PLC ± - 1 PLC ± - 2 PLC ± - 3 PLC ± .003 4 PLC ± - ANGLES ± 1°		PRODUCT SPEC	NAME		
MATERIAL	POLYAMIDE	FINISH	-	APPLICATION SPEC	-
WEIGHT		SCALE		SIZE	RESTRICTED TO
CUSTOMER DRAWING		10:1		A2 00779 C=1825069	-
SHEET		1 OF 1		REV	A2