

Bellows suction cups (round)

SFB1 30 HT1-60 G1/4-IG

Part no...:10.01.06.04420

<https://www.schmalz.com/10.01.06.04420>

Home > Vacuum Technology for Automation > Vacuum Components > Vacuum Suction Cups > Suction Cups for the Electronics Industry > Suction Cups SFF / SFB1 > SFB1 30 HT1-60 G1/4-IG

Bellows suction cup (round) for very uneven workpieces flexible workpieces



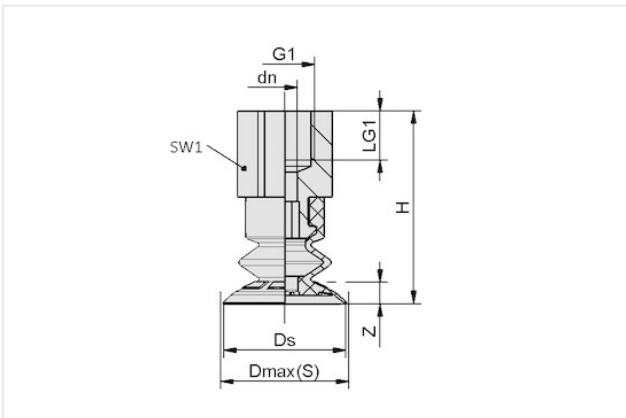
Size: 30

Suction cup material: High temp material HT1

Material hardness [Shore A]: 60 Shore A

Number of folds: 1.5

Design Data



Attribute	Value
G1	G1/4"-F
Dmax(S)	31.50 mm
Ds	30 mm
d2	9.90 mm
dn	4.10 mm
LG1	12 mm
H	37.70 mm
SW1	17 mm
Z (Stroke)	8 mm

Technical Data

Attribute	Value
Size	30
Suction cup material	High temp material HT1
Suction force (-600mbar)	4.60 N
Product family	SFB1
Volume	2.90 cm ³
Number of folds	1.50
Material hardness [Shore A]	60 Shore A

Contact Schmalz

Schmalz Inc. | 5850 Oak Forest Drive, Raleigh, NC 27616, United States | +1 (919) 713-0880 | schmalz.us@schmalz.com

Bellows suction cups (round)

SFB1 30 HT1-60 G1/4-IG

Part no...:10.01.06.04420

<https://www.schmalz.com/10.01.06.04420>

Spare parts



SFB1 30 HT1-60 SC040

Part no...:10.01.06.04383

Size: 30

Suction cup material: High temp material HT1

Material hardness [Shore A]: 60 Shore A

Number of folds: 1.5



SC 040 G1/4-IG

Part no...:10.01.06.02918

Connection geometry: 040

Vacuum connection: G1/4"-F

Fitting length: 17.3 mm

Nominal diameter dn: 4.1 mm