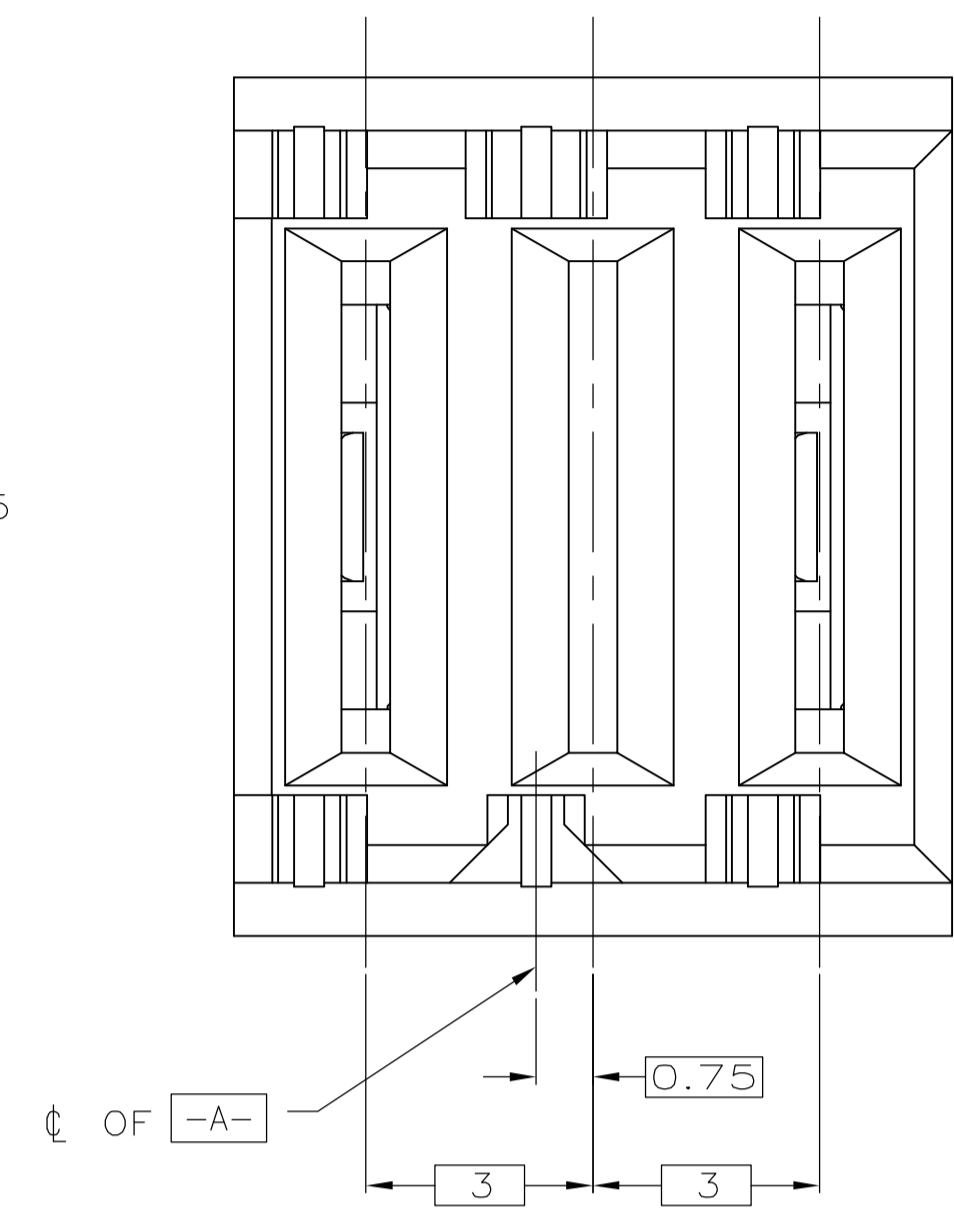
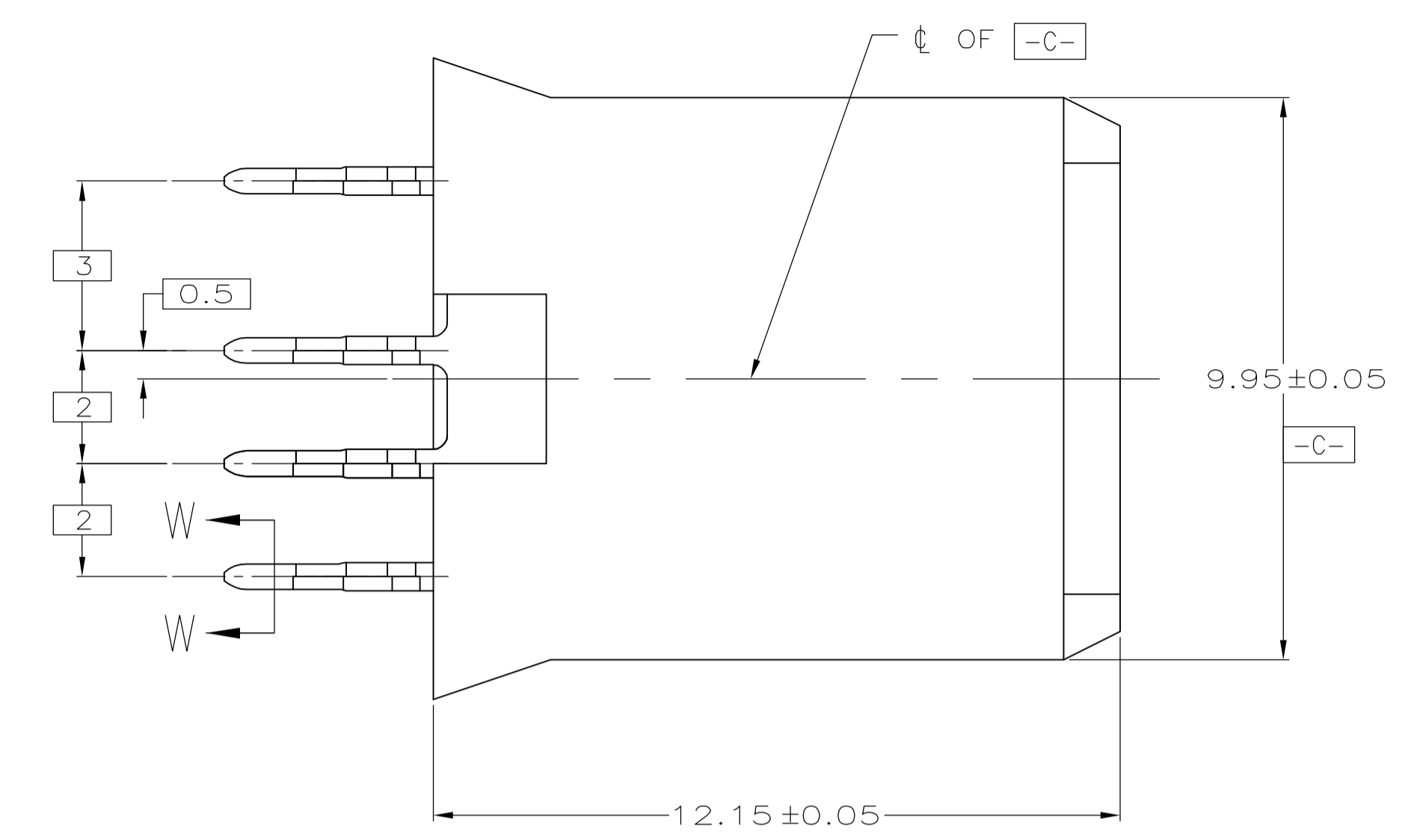
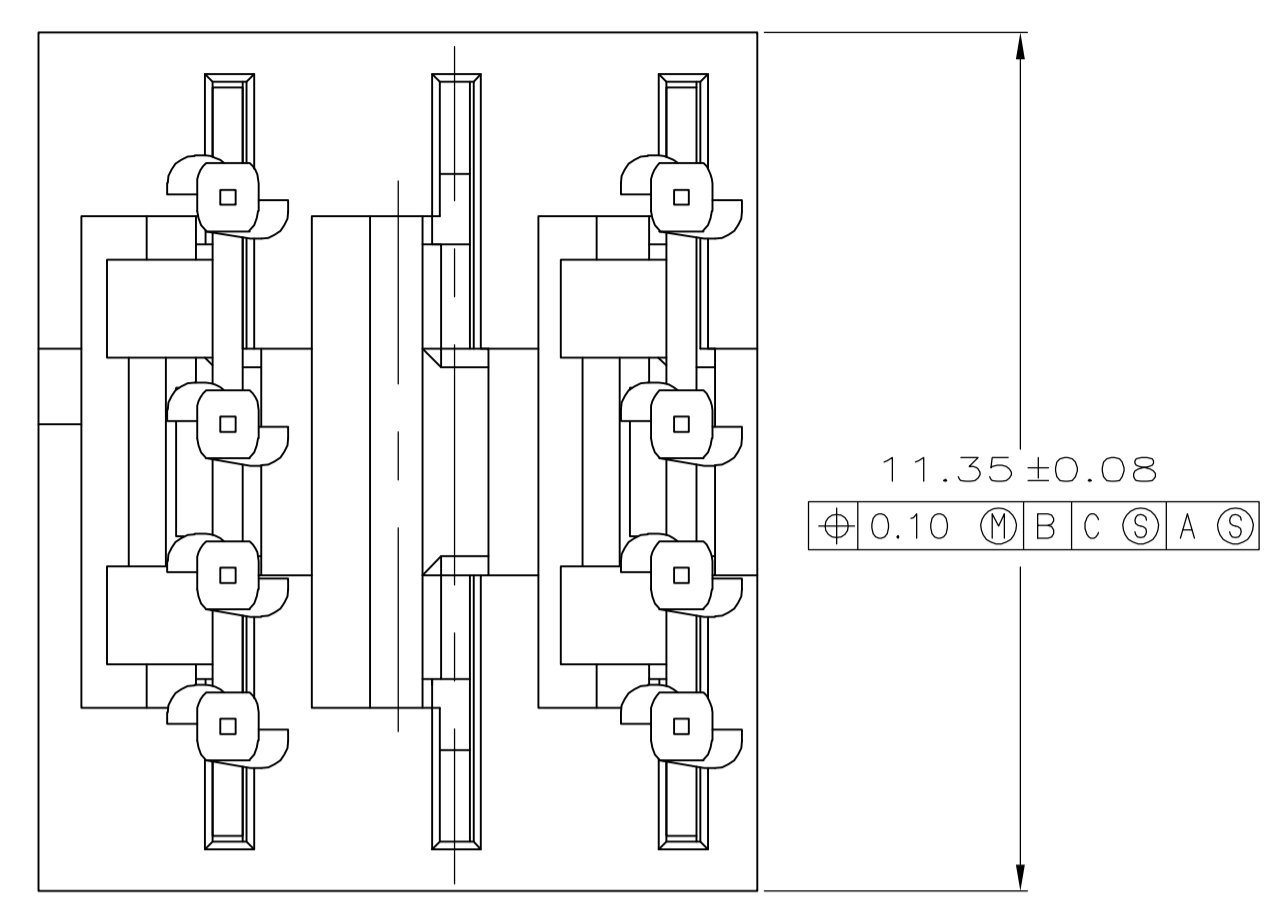
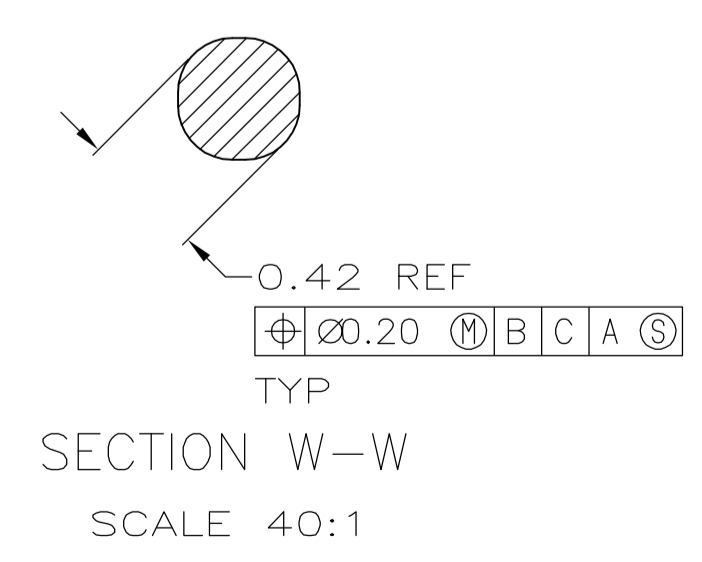
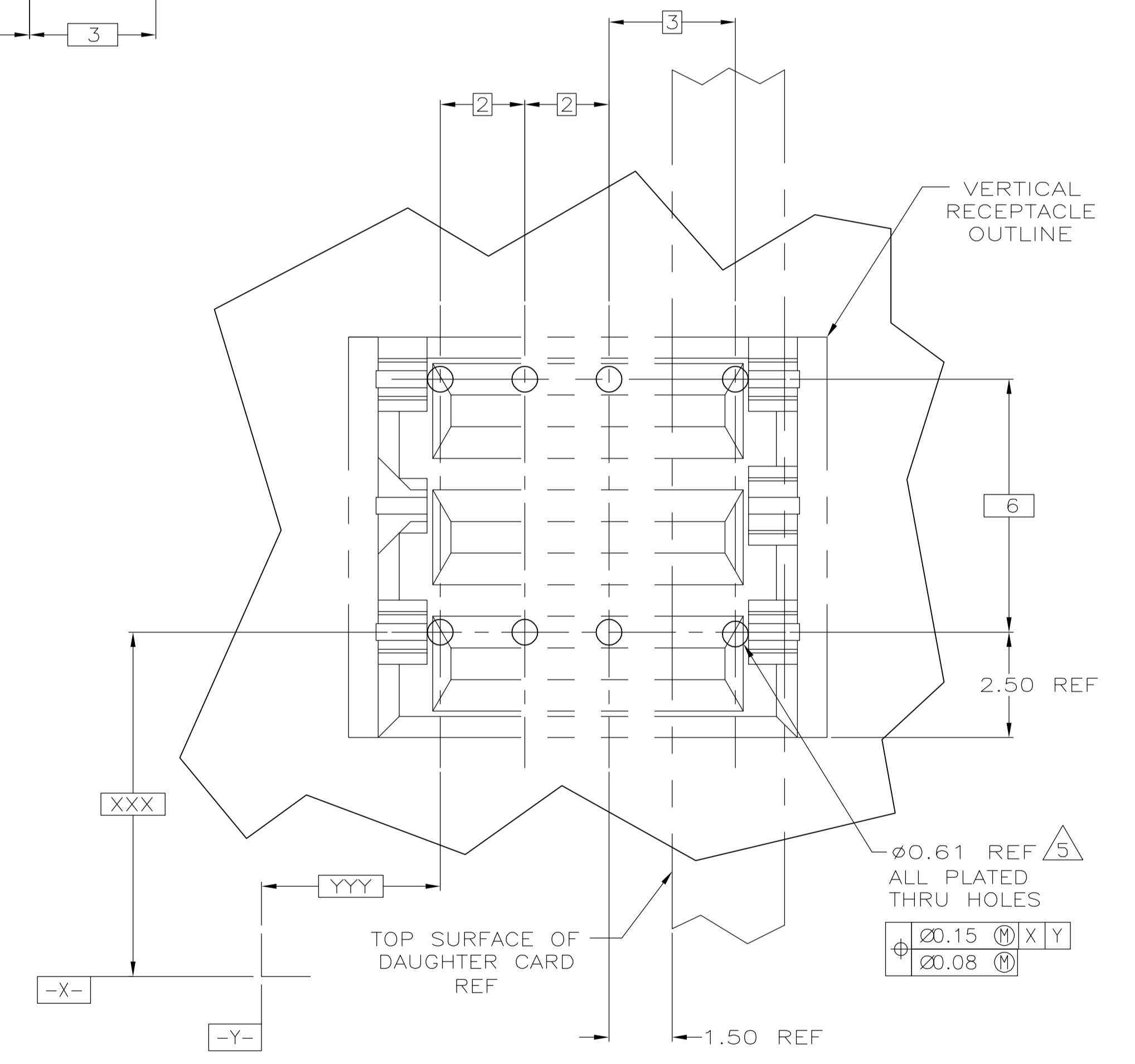
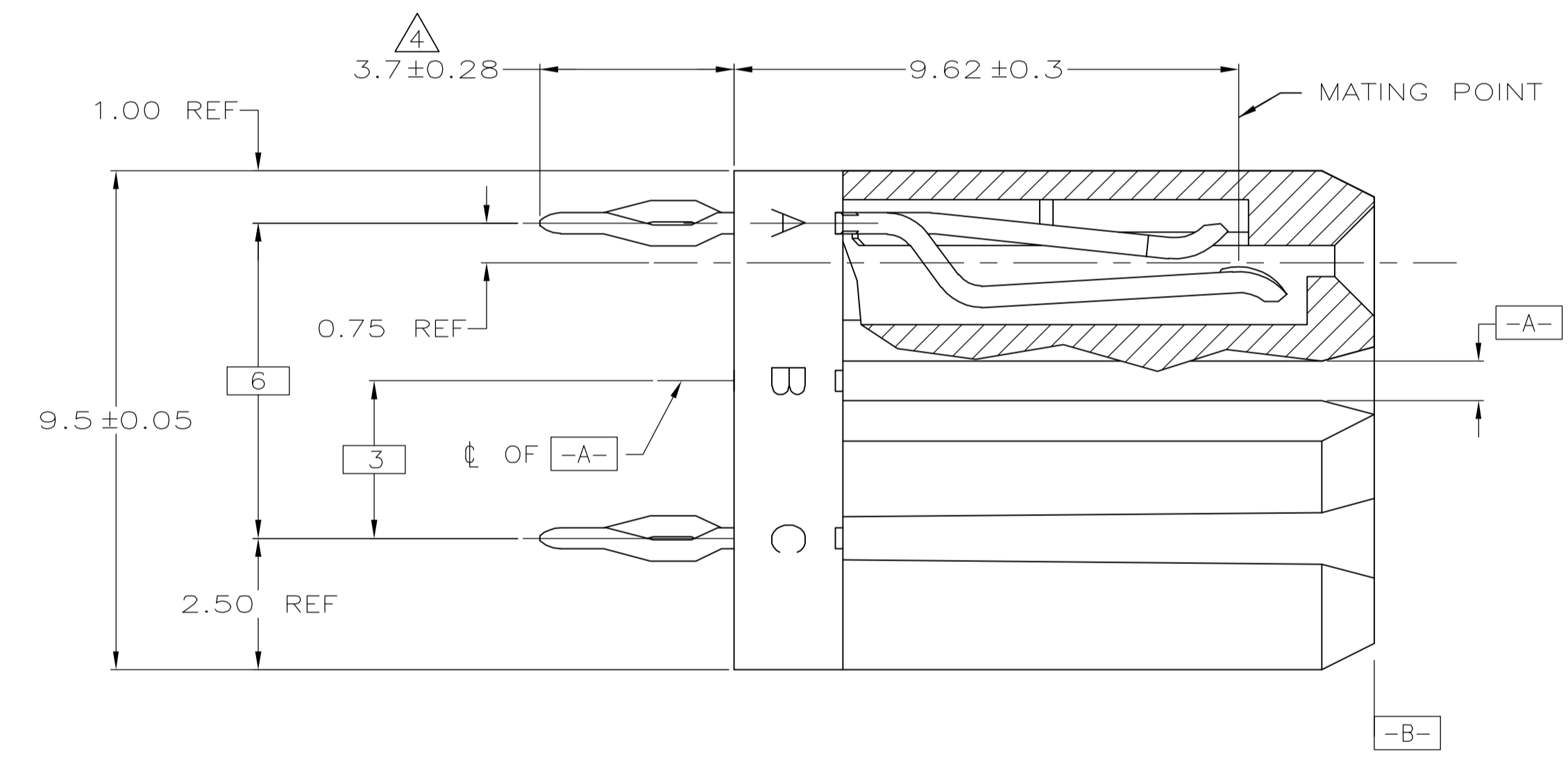


LOC		DIST		REVISIONS			
AD	00	REV	PER	DESCRIPTION	DATE	BY	APP'D
D1		REV	PER	ECO-07-002646	02MAR2007	BC	RP



- 1 MATERIAL: HOUSING: POLYESTER. COLOR: GREY. UL 94V-0. CONTACT: PHOSPHOR BRONZE.
- 2 FINISH: CONTACT MATING AREA: 1.27µm MIN GOLD OR 0.08µm MIN GOLD OVER 0.76µm MIN PALLADIUM-NICKEL. ACTION PIN AREA: 0.5µm MIN TIN LEAD PLATE, ALL OVER 1.27µm MIN NICKEL UNDERPLATE.
- 3 FINISH: CONTACT LUBRICATION WITH BELLCORE APPROVED LUBRICANT. TECHNICAL REFERENCE: TR-NWT-001217 ISSUE 1, SEPT 1992.
- 4 DIMENSION APPLIES AFTER CONNECTOR IS APPLIED TO P.C. BOARD.
- 5 REFERENCE APPLICATION SPEC 114-1103 FOR RECOMMENDED PLATED THRU HOLE DIAMETER AND PLATING THICKNESSES.
- 6 CURRENT RATING 10A/CONTACT PER PRODUCT SPEC 108-1651.



RECOMMENDED PCB HOLE LAYOUT

223984-1  
PART NUMBER

THIS DRAWING IS A CONTROLLED DOCUMENT.		DWG T. SHUEY 12-11-98	 Tyco Electronics Corporation Harrisburg, PA 17105-3608
DIMENSIONS: mm		CHK R. PATTERSON 12-11-98	
TOLERANCES UNLESS OTHERWISE SPECIFIED:		APP'D R. PATTERSON 12-11-98	NAME R. PATTERSON
0 PLC ± - 1 PLC ± - 2 PLC ± 0.13 3 PLC ± - 4 PLC ± - ANGLES ± -		PRODUCT SPEC	ASSEMBLY, VERTICAL RECEPTACLE UNIVERSAL POWER MODULE
MATERIAL		APPLICATION SPEC	SIZE A1
FINISH		WEIGHT	CAGE CODE 00779
1		CUSTOMER DRAWING	DRAWING NO 223984
		SCALE 10:1	RESTRICTED TO
		SHEET 1 OF 1	REV D1