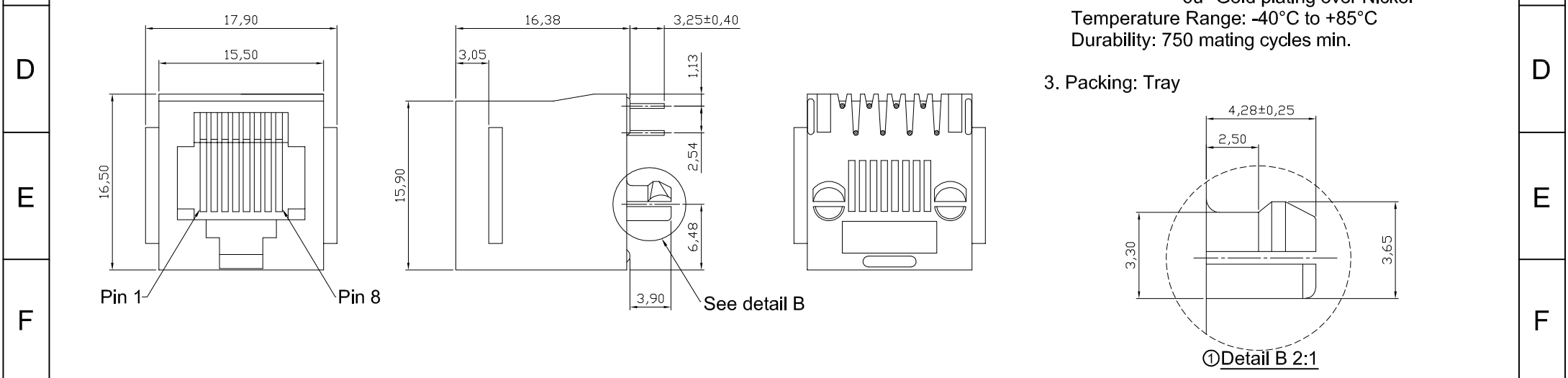
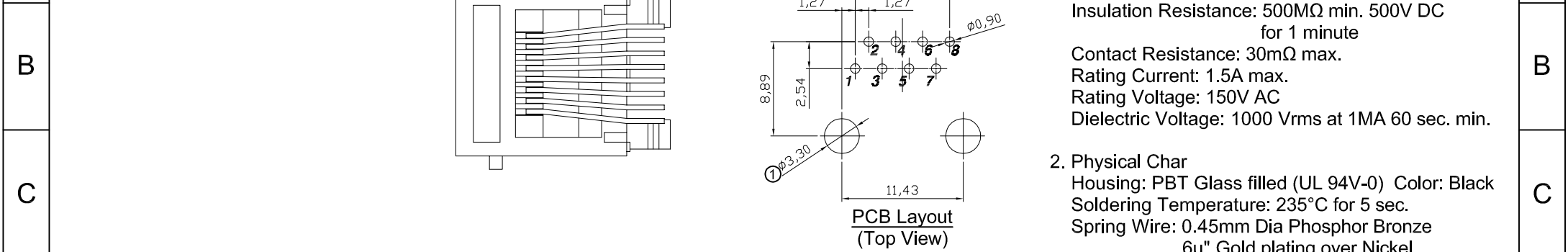


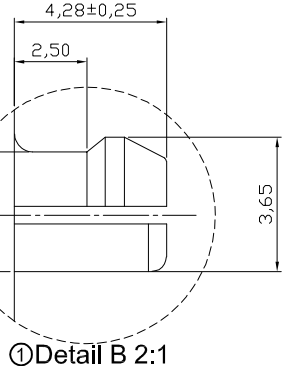
Specification:

1. Electrical Char
 Insulation Resistance: 500MΩ min. 500V DC for 1 minute
 Contact Resistance: 30mΩ max.
 Rating Current: 1.5A max.
 Rating Voltage: 150V AC
 Dielectric Voltage: 1000 Vrms at 1MA 60 sec. min.

2. Physical Char
 Housing: PBT Glass filled (UL 94V-0) Color: Black
 Soldering Temperature: 235°C for 5 sec.
 Spring Wire: 0.45mm Dia Phosphor Bronze
 6u" Gold plating over Nickel
 Temperature Range: -40°C to +85°C
 Durability: 750 mating cycles min.



3. Packing: Tray



RoHS compliant
Unit:mm

Scale	Free					Date	Name	Customer-No.	
TOLERANCE					Drawn	28.10.2015	Amy		
.XX	±0.20				Approved	17.07.2018	Amy	ASSMANN WSW-No.	
.XXX	±0.13							A-2014-2-4-R	
.XXXX	±0.05							Drawing-No.	
DIM	TOL	①	Correct PCB size and add detail B	17.07.2018	Amy	ASSMANN WSW components		ASS 7043 CO	rev01
		②	Drawn	28.10.2015	Amy			Replace	SHEET
Angle	+0°30'	Id.	Modification	Date	Name				