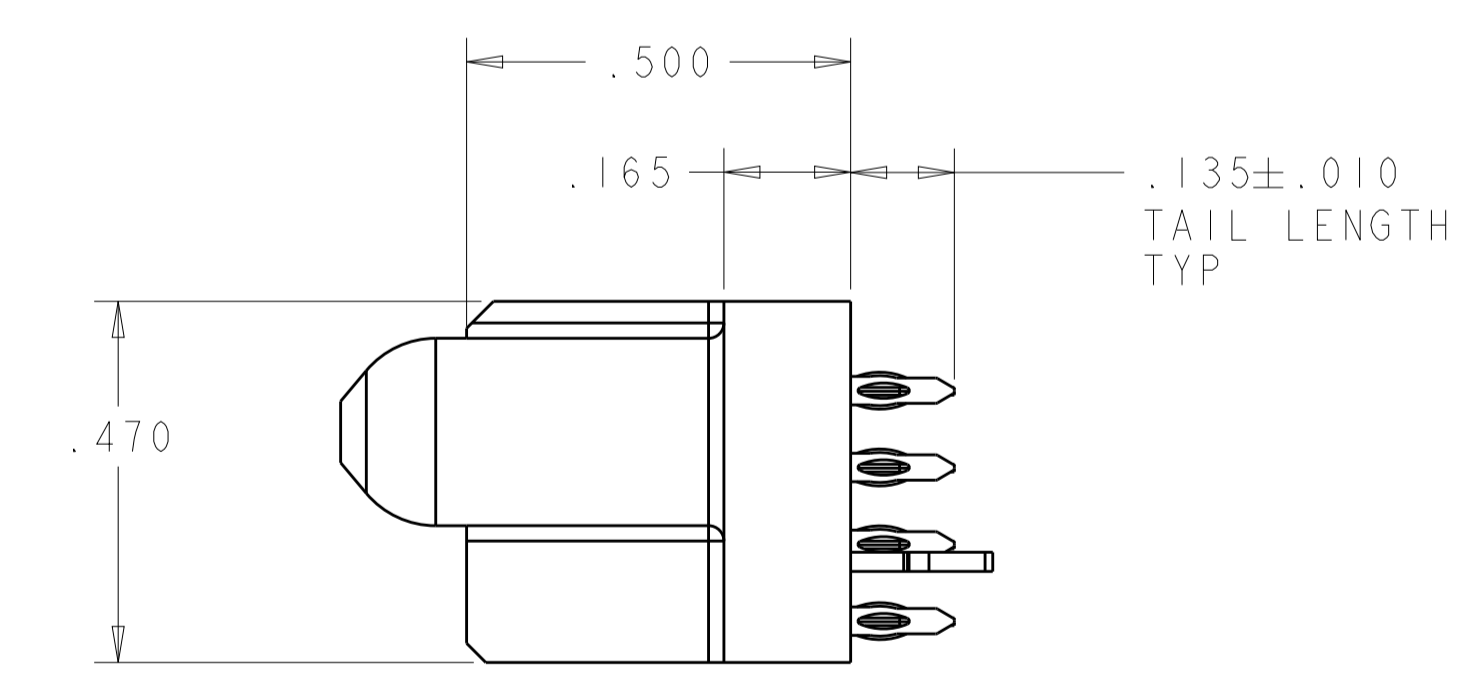
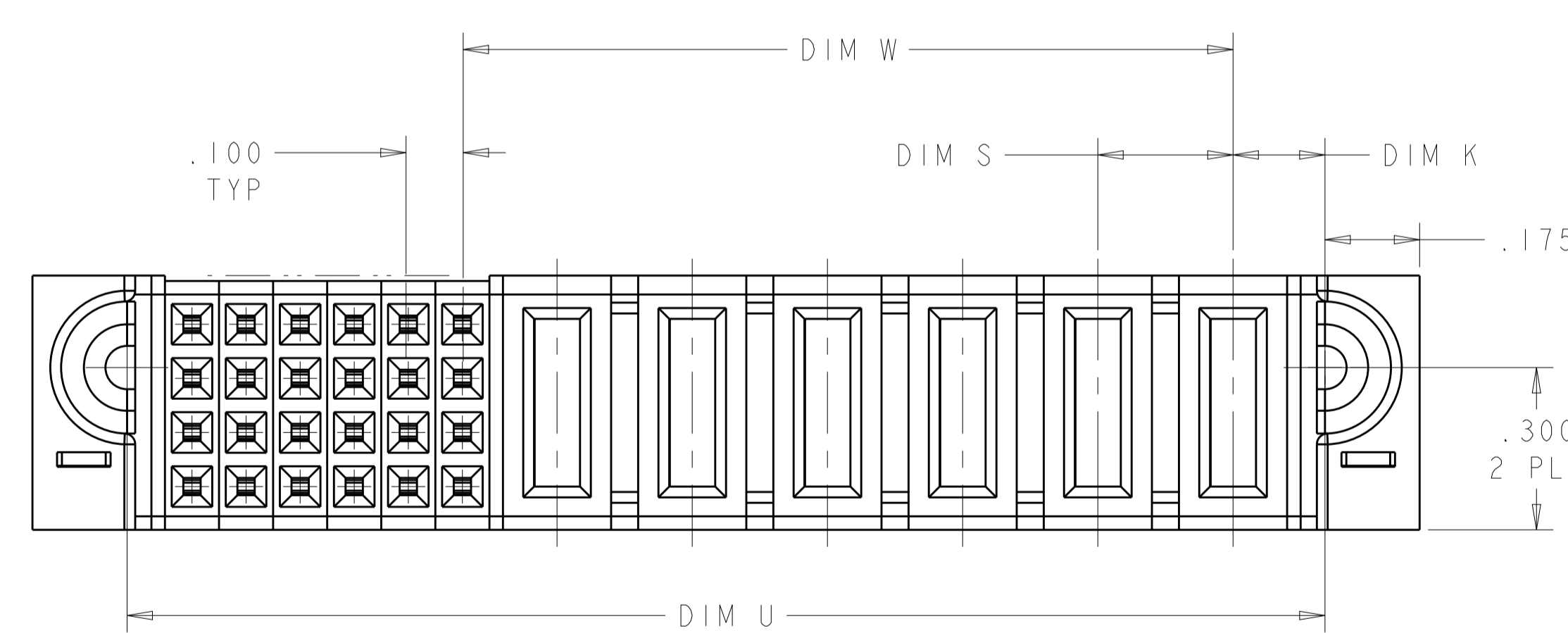
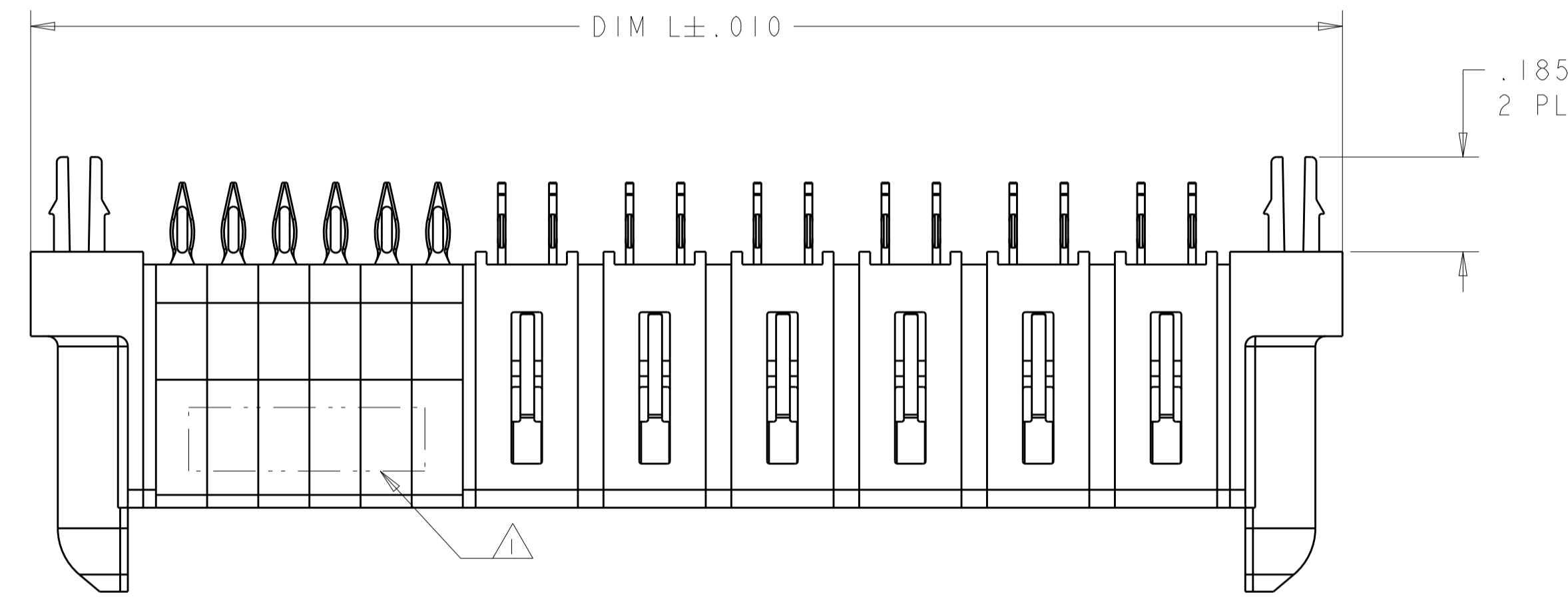
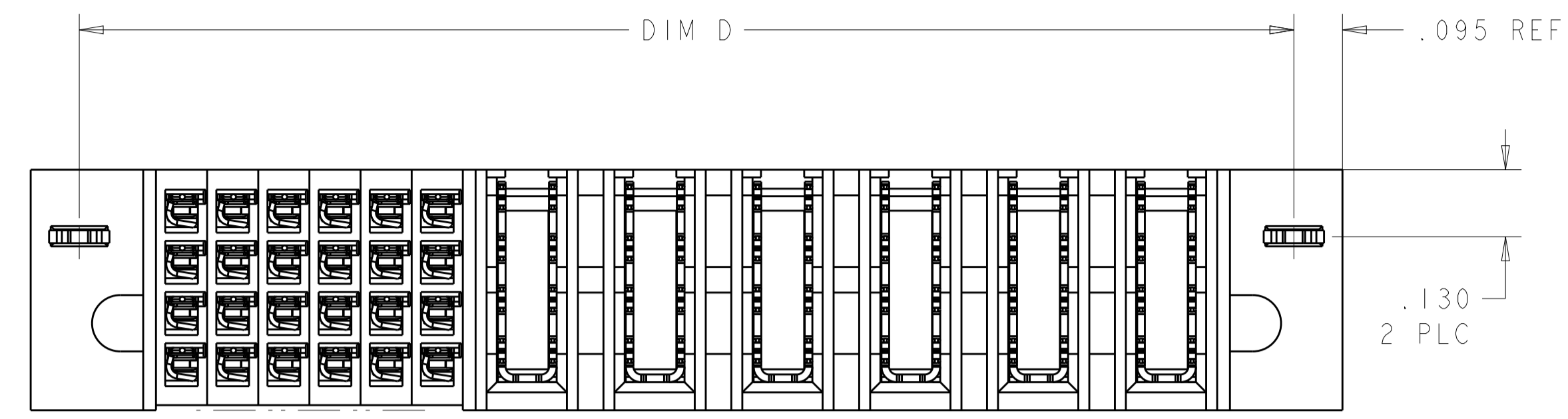


| LOC | | DIST | | REVISIONS | | | |
|-----|----|------|-----|------------------|-----------|-----|------|
| ES | 00 | P | LTN | DESCRIPTION | DATE | DMN | APVD |
| | | D7 | | ADD NEW PART -24 | 20JAN2015 | AY | SZ |




- 1 "AMP", PART NUMBER AND DATE CODE TO BE MARKED IN AREA SHOWN PARTS UNDER 2.00 LONG MAY BE MARKED ON BOTH SIDES;
- 2 HOUSING - GLASS FILLED HIGH TEMP THERMO PLASTIC, UL94 V-0
SIGNAL CONTACT - HIGH CONDUCTIVITY COPPER ALLOY
POWER CONTACT - HIGH CONDUCTIVITY COPPER ALLOY
- 3 CONTACT PLATING:
NOBLE METAL PLATING ON FUNCTIONAL AREA OF POWER AND SIGNAL CONTACTS.
- 4 MECHANICAL CONNECTOR KEEP OUT ZONE
- 5 DATUM AND BASIC DIMENSIONS ESTABLISHED BY CUSTOMER
- 6 PCB - ALL HOLE DIAMETERS ARE FINISHED HOLE SIZES
- 7 PCB - 0.0453 ±.0010 DRILLED HOLES PLATED WITH .0003 MIN Sn
OVER .001 TO .003 Cu PLATING TO ACHIEVE A .040 ±.003 HOLE
- 8 THIS DIMENSION PLEASE REFER TO TABLE

| | | | |
|--|--------|---|--|
| THIS DRAWING IS A CONTROLLED DOCUMENT. | | DMN S.ZHAO 18JUN2008 | TE Connectivity NAME VERTICAL RECEPTACLE W/ P+S MULTI-BEAM XLE SIZE CAGE CODE DRAWING NO RESTRICTED TO A100779C=6450862 - |
| DIMENSIONS: INCHES | | CHK S.ZHAO 18JUN2008 | |
| TOLERANCES UNLESS OTHERWISE SPECIFIED: | | APVD S.ZHAO 18JUN2008 | |
| 0 PLC ±.1 1 PLC ±.1 2 PLC ±.02 3 PLC ±.005 4 PLC ±.0020 ANGLES ±.7° | | PRODUCT SPEC 108-2292 APPLICATION SPEC 114-13251 WEIGHT - CUSTOMER DRAWING | |
| MATERIAL | FINISH | SCALE 2:1 | SHEET 1 OF 9 |

THIS DRAWING IS UNPUBLISHED. RELEASED FOR PUBLICATION 20
 © COPYRIGHT 20 BY - TE CONNECTIVITY ALL RIGHTS RESERVED.

| LOC | | DIST | | REVISIONS | | | | |
|-----|----|------|-----|-------------|------|-----|------|--|
| ES | 00 | P | LTN | DESCRIPTION | DATE | DWN | APVD | |
| - | - | - | - | SEE SHEET 1 | - | - | - | |
| | | | | | | | | |
| | | | | | | | | |

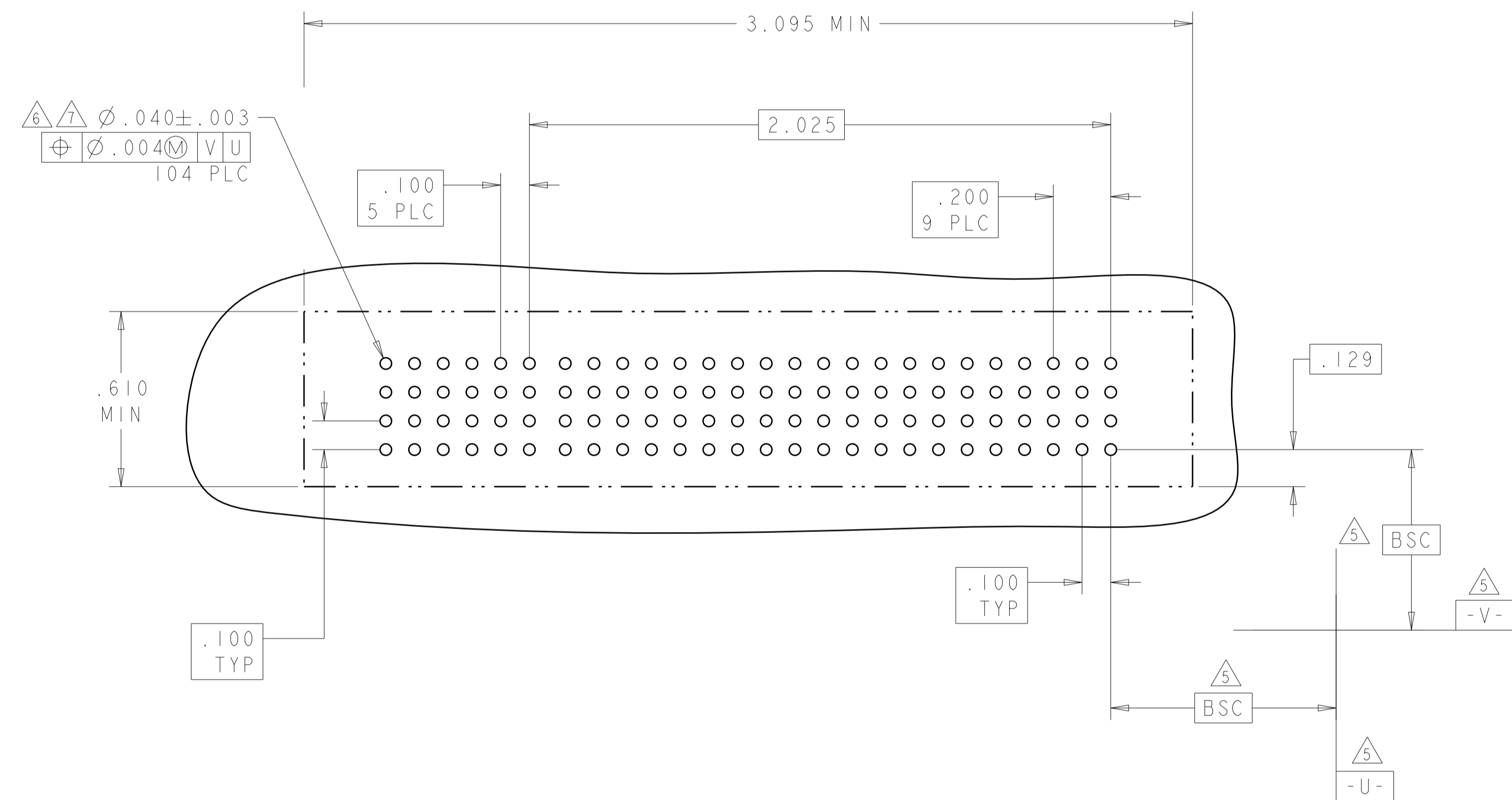
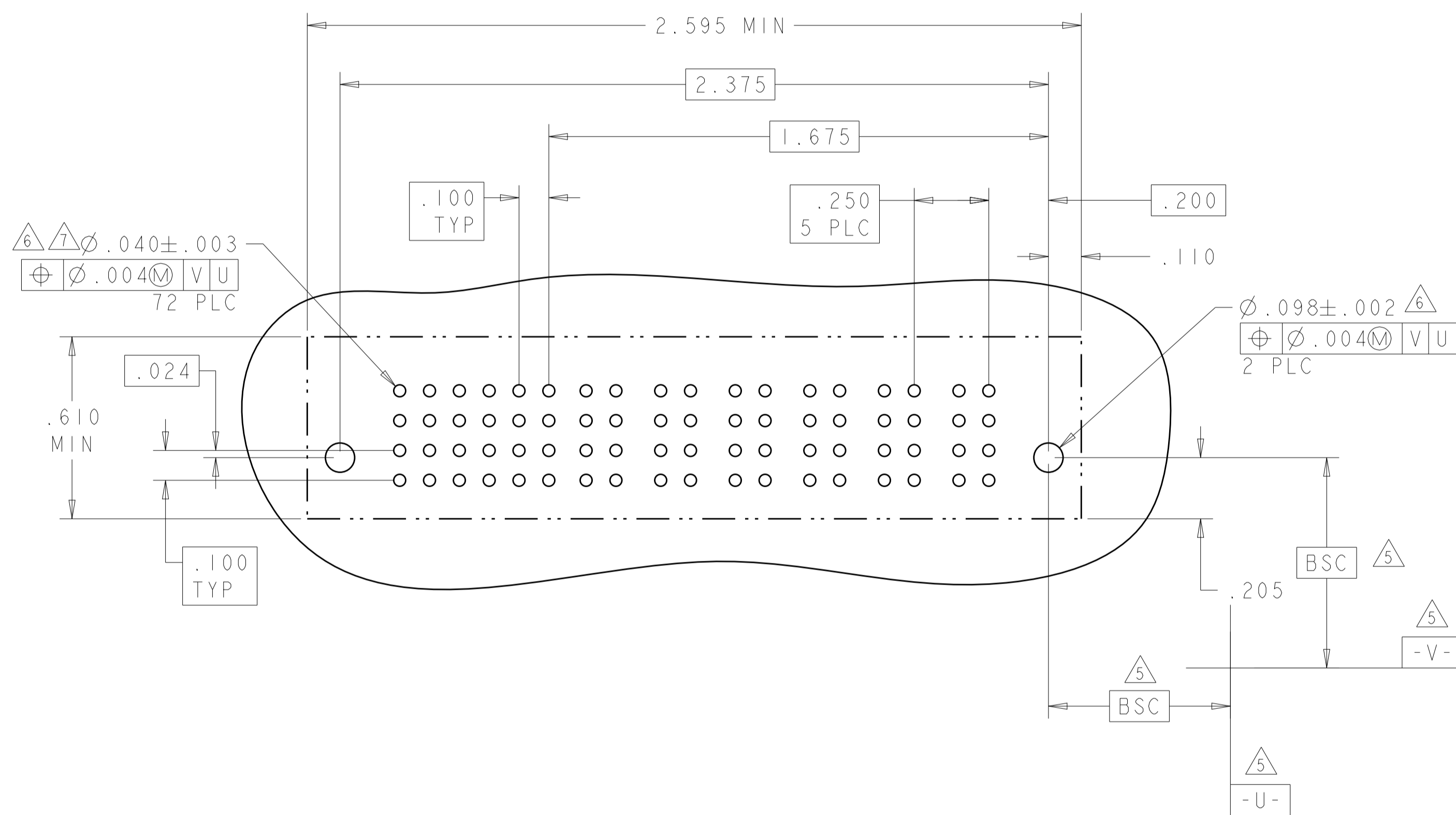
| | | | | | | | | |
|----|-------|-------|-------|-------|-------|-------|-----------------|-------------|
| D7 | .300 | 2.240 | 1.890 | 2.050 | 1.450 | .195 | 5ACP + 8S | 2-6450862-4 |
| D5 | .250 | 3.240 | 2.890 | 3.050 | 1.925 | .170 | 8P + 32S | 2-6450862-3 |
| | .250 | 3.240 | 2.890 | 3.050 | 1.925 | .170 | 8P + 32S | 2-6450862-2 |
| | .115 | .945 | .595 | .755 | .2725 | .1025 | 2LP + 8S | 2-6450862-1 |
| | .200 | 3.265 | 2.915 | 3.075 | 2.175 | .145 | 11HDP + 24S | 1-6450862-8 |
| | △ | 3.740 | 3.390 | 3.550 | 2.625 | .170 | 3ACP + 8P + 24S | 1-6450862-7 |
| | .250 | 2.415 | 2.065 | 2.225 | 1.425 | .145 | 6P + 20S | 1-6450862-6 |
| | .200 | 3.265 | 2.915 | 3.075 | 1.975 | .145 | 10HDP + 32S | 1-6450862-5 |
| | △ | 2.420 | 2.070 | 2.230 | 1.330 | .145 | 5P + 2LP + 24S | 1-6450862-4 |
| | .250 | 3.790 | 3.440 | 3.600 | 2.900 | .145 | 12P + 16S | 6450862-6 |
| | △ | 2.915 | 2.565 | 2.725 | 2.045 | .170 | 6P + 2HDP + 20S | 6450862-5 |
| | .115 | .970 | .620 | .780 | .2725 | .1275 | 2LP + 8S | 6450862-4 |
| | .200 | 3.065 | 2.715 | 2.875 | 1.975 | .145 | 10HDP + 24S | 6450862-3 |
| | .250 | 2.595 | 2.215 | 2.375 | 1.425 | .170 | 6P + 24S | 6450862-1 |
| | DIM S | DIM L | DIM U | DIM D | DIM W | DIM K | DESCRIPTION | PART NUMBER |

| | | | |
|---|--------|---|---|
| THIS DRAWING IS A CONTROLLED DOCUMENT. | | DWN S. ZHAO 18JUN2008 |  TE Connectivity |
| DIMENSIONS: INCHES | | CHK S. ZHAO 18JUN2008 | |
| TOLERANCES UNLESS OTHERWISE SPECIFIED: | | APVD S. ZHAO 18JUN2008 | |
| 0 PLC ±.1 1 PLC ±.1 2 PLC ±.02 3 PLC ±.005 4 PLC ±.0020 ANGLES ±.020 | | PRODUCT SPEC 108-2292 APPLICATION SPEC 114-13251 | |
| MATERIAL | FINISH | WEIGHT | RESTRICTED TO |
| CUSTOMER DRAWING | | SCALE 2:1 | SHEET 2 OF 9 |
| | | SIZE CAGE CODE DRAWING NO A100779C=6450862 | REV D7 |

| LOC | DIST | REVISIONS | | | |
|-----|------|-----------|-------------|----|------|
| ES | 00 | REV | DATE | BY | APPV |
| | | - | SEE SHEET 1 | - | - |

| PART NUMBER | ROWS | SIGNAL | | | | | | POWER | | | | | | | |
|-------------|------------------|--------|----|----|----|----|----|-------|----|----|----|----|----|----|--|
| | | 6 | 5 | 4 | 3 | 2 | 1 | P6 | P5 | P4 | P3 | P2 | P1 | | |
| 6450862-1 | D C B A | AP | AP | AP | AP | AP | AP | GS | GS | GS | GS | GS | GS | | |
| | | AP | AP | AP | AP | AP | AP | GS | GS | GS | GS | GS | GS | | |
| | | AP | AP | AP | AP | AP | AP | GS | GS | GS | GS | GS | GS | | |
| | | AP | AP | AP | AP | AP | AP | GS | GS | GS | GS | GS | GS | | |
| 6P + 24S | | HD | | | | | | | | | | | | HD | |

| PART NUMBER | ROWS | SIGNAL | | | | | | POWER | | | | | | | | | |
|-------------|------------------|--------|----|----|----|----|----|-------|----|----|----|----|----|----|----|----|----|
| | | 6 | 5 | 4 | 3 | 2 | 1 | P10 | P9 | P8 | P7 | P6 | P5 | P4 | P3 | P2 | P1 |
| 6450862-3 | D C B A | AP | AP | AP | AP | AP | AP | GS | GS | GS | GS | GS | GS | GS | GS | GS | GS |
| | | AP | AP | AP | AP | AP | AP | GS | GS | GS | GS | GS | GS | GS | GS | GS | GS |
| | | AP | AP | AP | AP | AP | AP | GS | GS | GS | GS | GS | GS | GS | GS | GS | GS |
| | | AP | AP | AP | AP | AP | AP | GS | GS | GS | GS | GS | GS | GS | GS | GS | GS |
| 10HDP + 24S | | HD | | | | | | | | | | | | HD | | | |



| | |
|-------------------------|------|
| MFBL POWER CONTACT | GP |
| HOLD DOWN | HD |
| STD POWER CONTACT | GS |
| STD LP LOWER POWER CON. | LSI |
| SIGNAL CONTACT | AP |
| DESCRIPTION | CODE |

THIS DRAWING IS A CONTROLLED DOCUMENT.

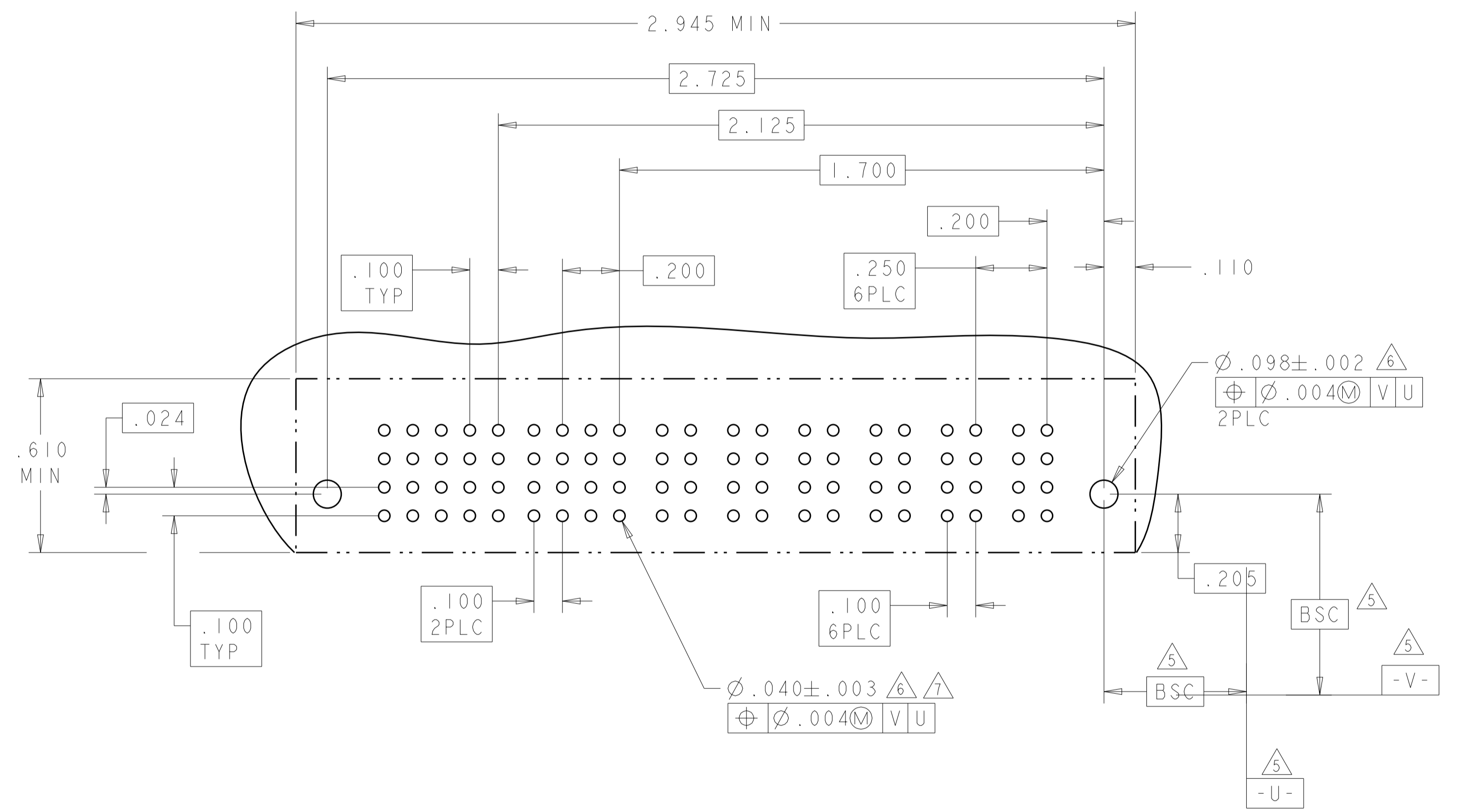
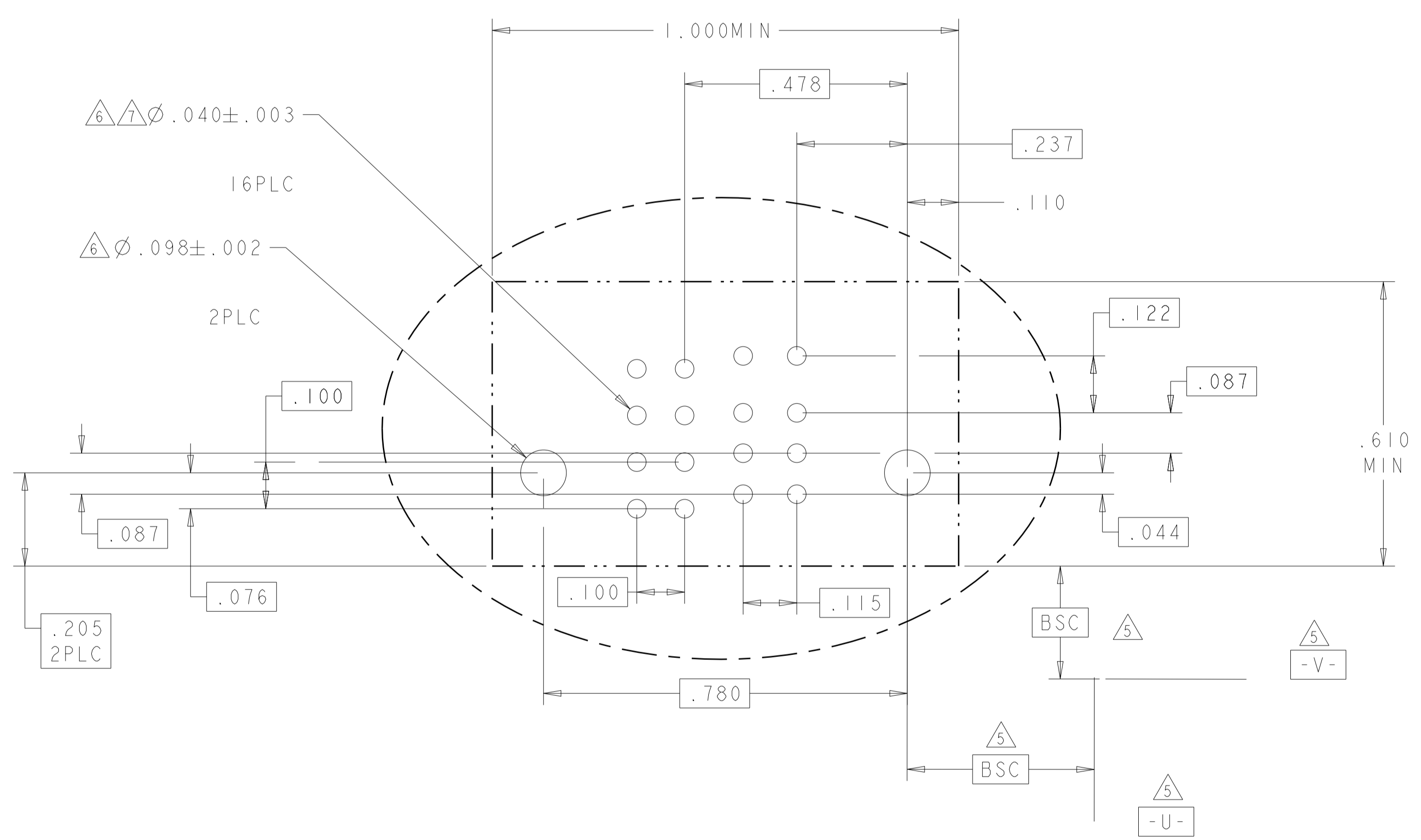
| | | | | |
|-------------|--|------------------|------------------|-----------|
| DIMENSIONS: | TOLERANCES UNLESS OTHERWISE SPECIFIED: | OWN | S. ZHAO | 18JUN2008 |
| INCHES | 0 PLC ±.1 | CHK | S. ZHAO | 18JUN2008 |
| | 1 PLC ±.02 | APPV | S. ZHAO | 18JUN2008 |
| | 2 PLC ±.02 | PRODUCT SPEC | | |
| | 3 PLC ±.005 | 108-2292 | | |
| | 4 PLC ±.0020 | APPLICATION SPEC | | |
| | ANGLES ±.2° | 114-13251 | | |
| MATERIAL | FINISH | WEIGHT | A100779C=6450862 | |
| | | | CUSTOMER DRAWING | |

SCALE 2:1 SHEET 3 OF 9 REV 07

| LOC | | DIST | | REVISIONS | | | |
|-----|----|------|-----|-------------|------|-----|------|
| ES | 00 | P | LTN | DESCRIPTION | DATE | DMN | APVD |
| | | - | | SEE SHEET 1 | - | - | - |

| PART NUMBER | ROWS | SIGNAL | | POWER | |
|-------------|------------------|--------|----|-------|-----|
| | | 2 | 1 | P2 | P1 |
| 6450862-4 | D C B A | AP | AP | LSI | LSI |
| | | AP | AP | | |
| | | AP | AP | | |
| | | AP | AP | | |
| 2LP + 8S | | HD | | HD | |

| PART NUMBER | ROWS | SIGNAL | | | | | POWER | | | | | | | |
|-----------------|------------------|--------|----|----|----|----|-------|----|----|----|----|----|----|----|
| | | 5 | 4 | 3 | 2 | 1 | P8 | P7 | P6 | P5 | P4 | P3 | P2 | P1 |
| 6450862-5 | D C B A | AP | AP | AP | AP | AP | GS | GS | GS | GS | GS | GS | GS | GS |
| | | AP | AP | AP | AP | AP | | | | | | | | |
| | | AP | AP | AP | AP | AP | | | | | | | | |
| | | AP | AP | AP | AP | AP | | | | | | | | |
| 6P + 2HDP + 20S | | HD | | | | | | | | | | | HD | |

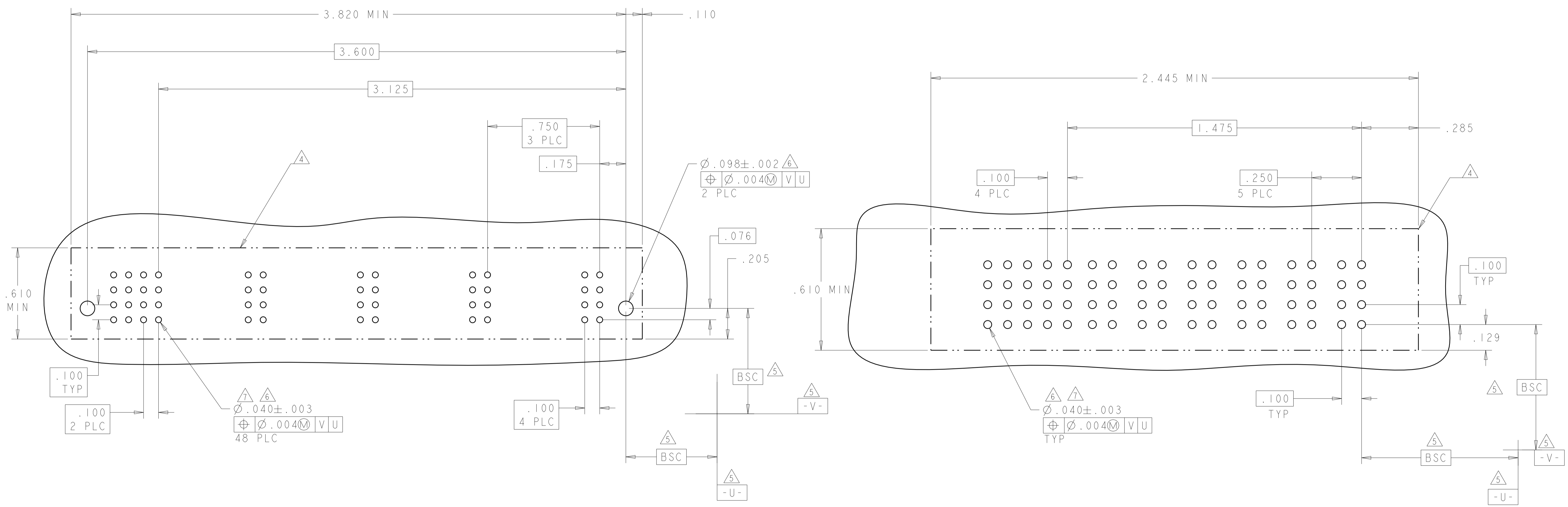


| | | | |
|--|--------------|----------------------------|--|
| THIS DRAWING IS A CONTROLLED DOCUMENT. | | DMN S. ZHAO 18JUN2008 | TE Connectivity |
| DIMENSIONS: INCHES | | CHK S. ZHAO 18JUN2008 | |
| TOLERANCES UNLESS OTHERWISE SPECIFIED: | | APVD S. ZHAO 18JUN2008 | NAME VERTICAL RECEPTACLE W/ P+S MULTI-BEAM XLE |
| 0 PLC ± .1 | 1 PLC ± .02 | PRODUCT SPEC 108-2292 | SIZE CAGE CODE DRAWING NO. RESTRICTED TO |
| 2 PLC ± .02 | 3 PLC ± .005 | APPLICATION SPEC 114-13251 | A100779C=6450862 |
| 4 PLC ± .0020 | ANGLES ± 7° | WEIGHT | SCALE 2:1 SHEET 4 OF 9 REV D7 |
| MATERIAL | FINISH | CUSTOMER DRAWING | |

| LOC | DIST | REV | DATE | BY | APP'D |
|-----|------|-------------|------|----|-------|
| ES | 00 | | | | |
| | | REVISIONS | | | |
| | | DESCRIPTION | DATE | BY | APP'D |
| | | SEE SHEET 1 | | | |

| PART NUMBER | ROWS | SIGNAL | | | | POWER | | | | | | | | | | | | |
|-------------|------------------|-------------------|----|----|----|-------|-----|-----|----|----|----|----|----|----|----|----|----|--|
| | | 4 | 3 | 2 | 1 | P12 | P11 | P10 | P9 | P8 | P7 | P6 | P5 | P4 | P3 | P2 | P1 | |
| 6450862-6 | D C B A | AP | AP | AP | AP | | | | | | | | | | | | | |
| | | AP | AP | AP | AP | | | GP | | | GS | | | GS | | | | |
| | | AP | AP | AP | AP | | | | | | | | | | | | | |
| | | AP | AP | AP | AP | | | | | | | | | | | | | |
| 12P + 16S | | NO CONTACT LOADED | | | | | | | | | | | | | | | | |

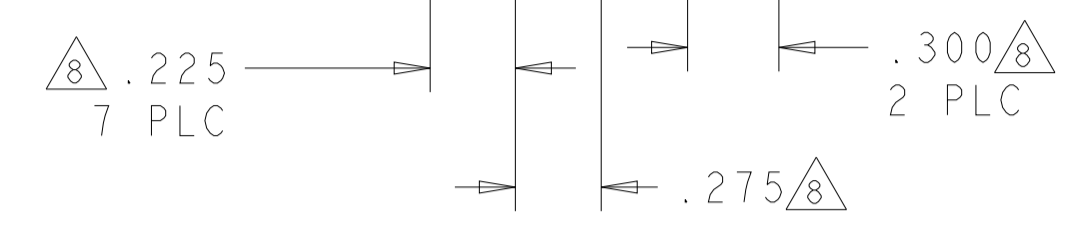
| PART NUMBER | ROWS | SIGNAL | | | | | POWER | | | | | | |
|-------------|------------------|--------|----|----|----|----|-------|----|----|----|----|----|--|
| | | 5 | 4 | 3 | 2 | 1 | P6 | P5 | P4 | P3 | P2 | P1 | |
| I-6450862-6 | D C B A | AP | AP | AP | AP | AP | | | | | | | |
| | | AP | AP | AP | AP | AP | GP | GP | GP | GP | GS | GS | |
| | | AP | AP | AP | AP | AP | | | | | | | |
| | | AP | AP | AP | AP | AP | | | | | | | |
| 6P + 20S | | | | | | | | | | | | | |



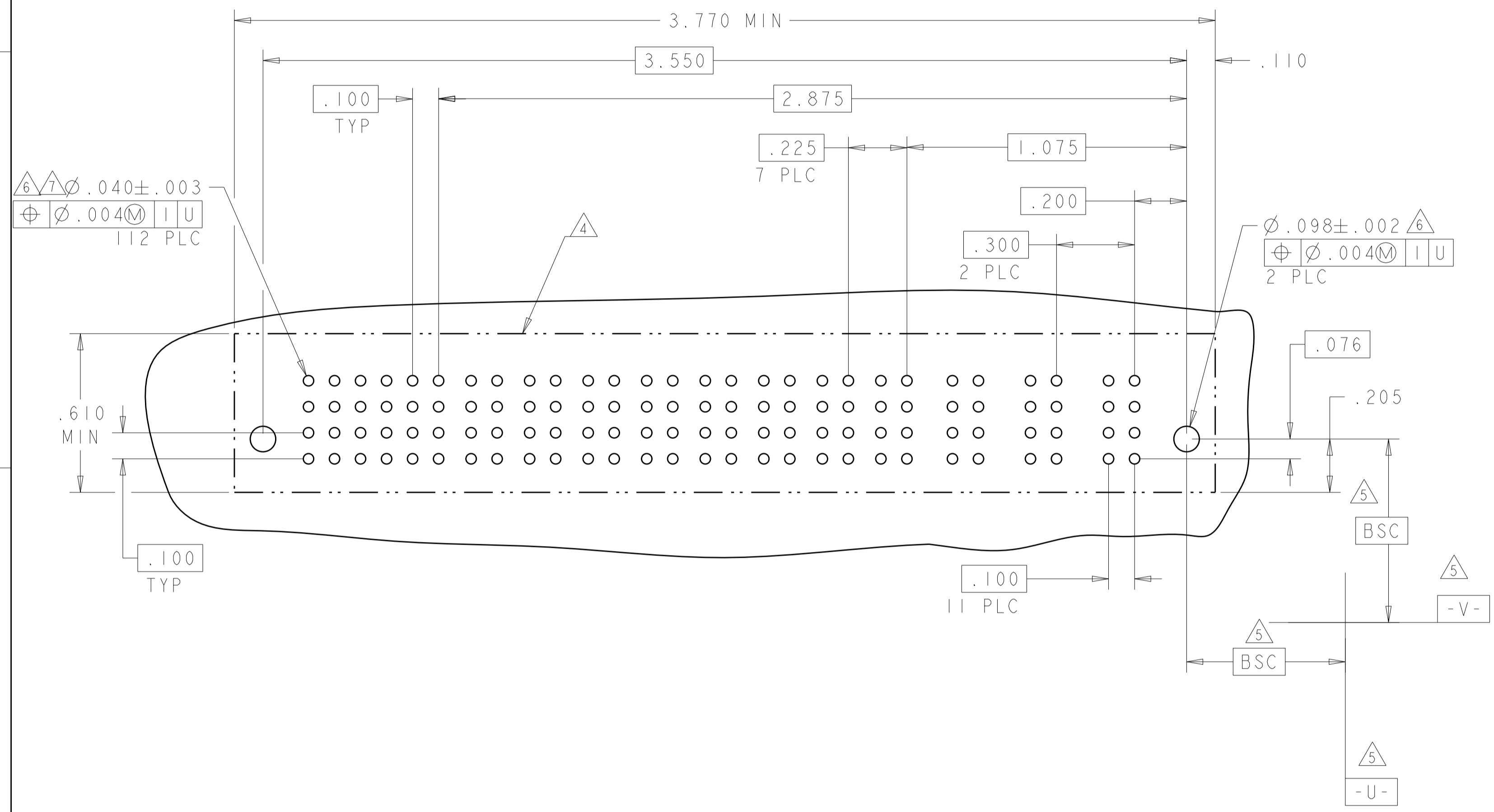
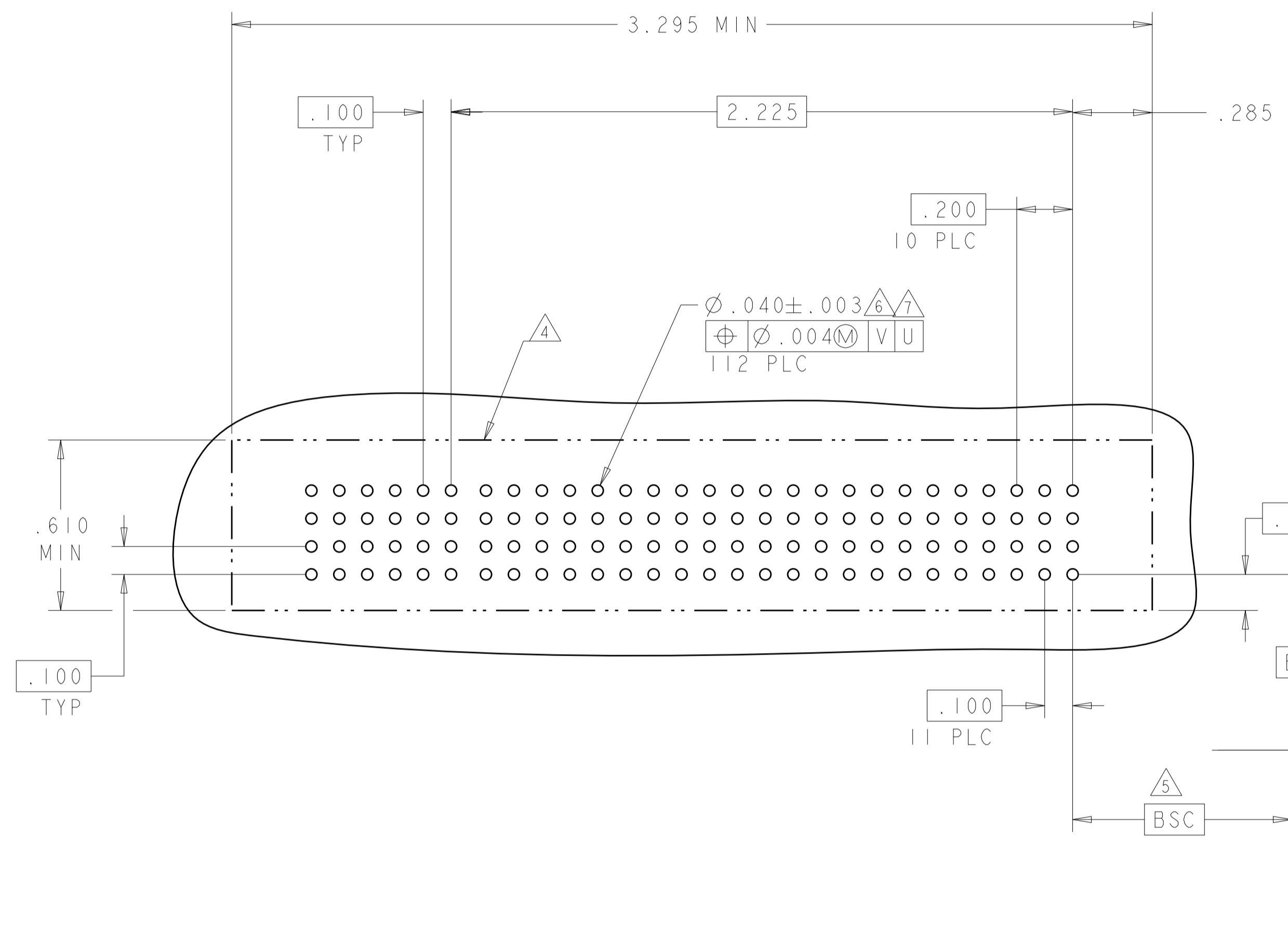
| | | | | |
|--|--------|-------------------------------|---------|-----------|
| THIS DRAWING IS A CONTROLLED DOCUMENT. | | DWN | S. ZHAO | 18JUN2008 |
| DIMENSIONS: | | CHK | S. ZHAO | 18JUN2008 |
| INCHES | | AP'D | S. ZHAO | 18JUN2008 |
| TOLERANCES UNLESS OTHERWISE SPECIFIED: | | NAME | | |
| 0 PLC | ± | VERTICAL RECEPTACLE W/ P+S | | |
| 1 PLC | ±.1 | MULTI-BEAM XLE | | |
| 2 PLC | ±.02 | SIZE CAGE CODE DRAWING NO | | |
| 3 PLC | ±.05 | A100779C=6450862 | | |
| 4 PLC | ±.0020 | RESTRICTED TO | | |
| ANGLES | ±.020 | CUSTOMER DRAWING | | |
| MATERIAL | FINISH | SCALE 2:1 SHEET 5 OF 9 REV D7 | | |

| LOC | DIST | REV | DATE | BY | APPV |
|-----|------|-------------|------|----|------|
| ES | 00 | | | | |
| | | REVISIONS | | | |
| | | DESCRIPTION | DATE | BY | APPV |
| | | SEE SHEET 1 | | | |

| PART NUMBER | ROWS | SIGNAL | | | | | | POWER | | | | | | | | | | | | | |
|-----------------|------------------|--------|----|----|----|----|----|-------|-----|----|----|----|----|----|----|----|----|----|----|----|--|
| | | 6 | 5 | 4 | 3 | 2 | 1 | P11 | P10 | P9 | P8 | P7 | P6 | P5 | P4 | P3 | P2 | P1 | | | |
| 1-6450862-7 | D C B A | AP | AP | AP | AP | AP | AP | GS | GS | GS | GS | GS | GS | GS | GP | GS | GS | GS | | | |
| | | AP | AP | AP | AP | AP | AP | GS | GS | GS | GS | GS | GS | GS | GS | GS | GS | GS | | | |
| | | AP | AP | AP | AP | AP | AP | GS | GS | GS | GS | GS | GS | GS | GS | GS | GS | GS | GS | | |
| 3ACP + 8P + 24S | | HD | | | | | | | | | | | | | | | | | | HD | |



| PART NUMBER | ROWS | SIGNAL | | | | | | POWER | | | | | | | | | | | | | |
|-------------|------------------|--------|----|----|----|----|----|-------|-----|----|----|----|----|----|----|----|----|----|----|----|--|
| | | 6 | 5 | 4 | 3 | 2 | 1 | P11 | P10 | P9 | P8 | P7 | P6 | P5 | P4 | P3 | P2 | P1 | | | |
| 1-6450862-8 | D C B A | AP | AP | AP | AP | AP | AP | GS | GS | GS | GS | GS | GS | GS | GS | GS | GS | GS | | | |
| | | AP | AP | AP | AP | AP | AP | GS | GS | GS | GS | GS | GS | GS | GS | GS | GS | GS | | | |
| | | AP | AP | AP | AP | AP | AP | GS | GS | GS | GS | GS | GS | GS | GS | GS | GS | GS | GS | | |
| 11HDP + 24S | | HD | | | | | | | | | | | | | | | | | | HD | |



THIS DRAWING IS A CONTROLLED DOCUMENT.

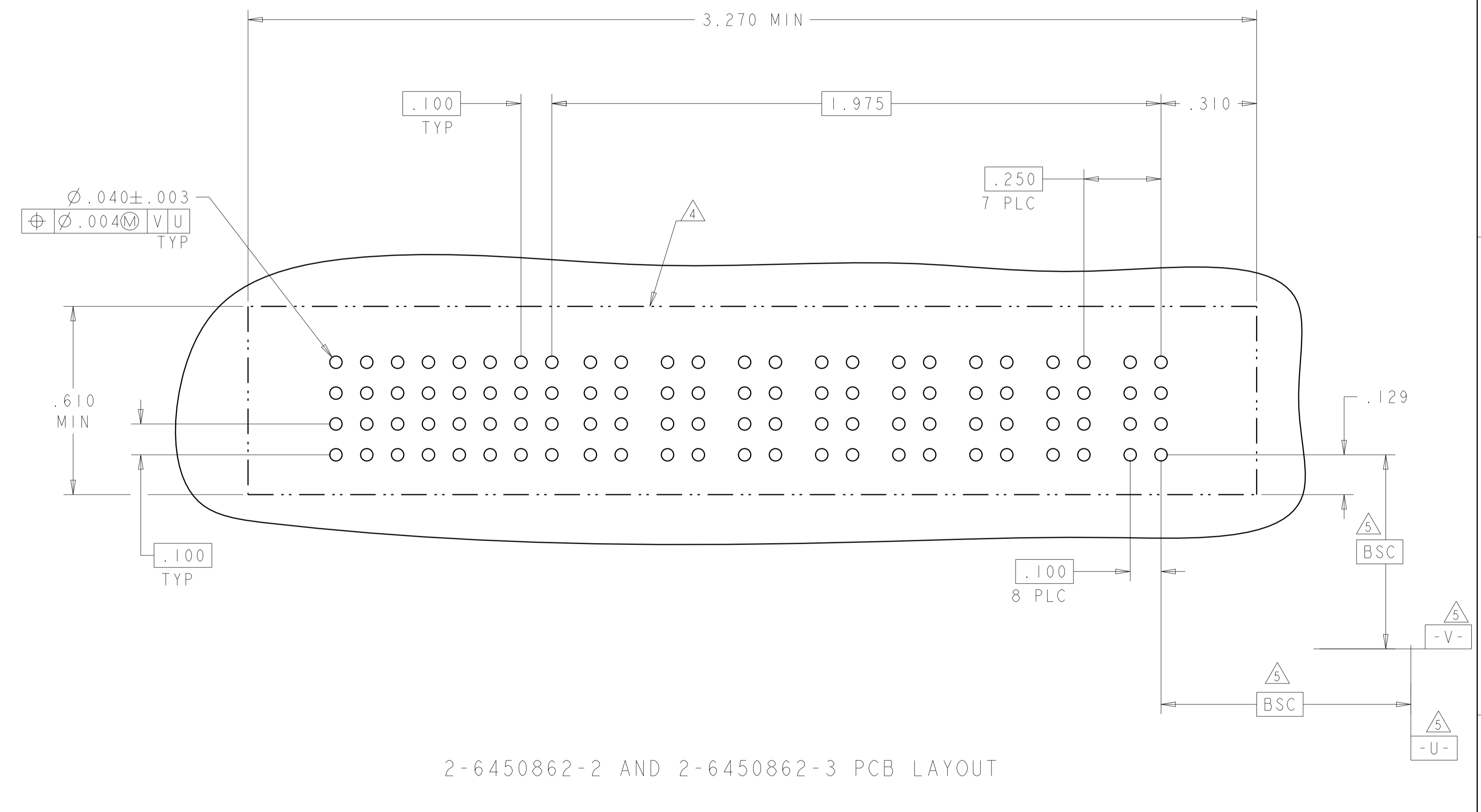
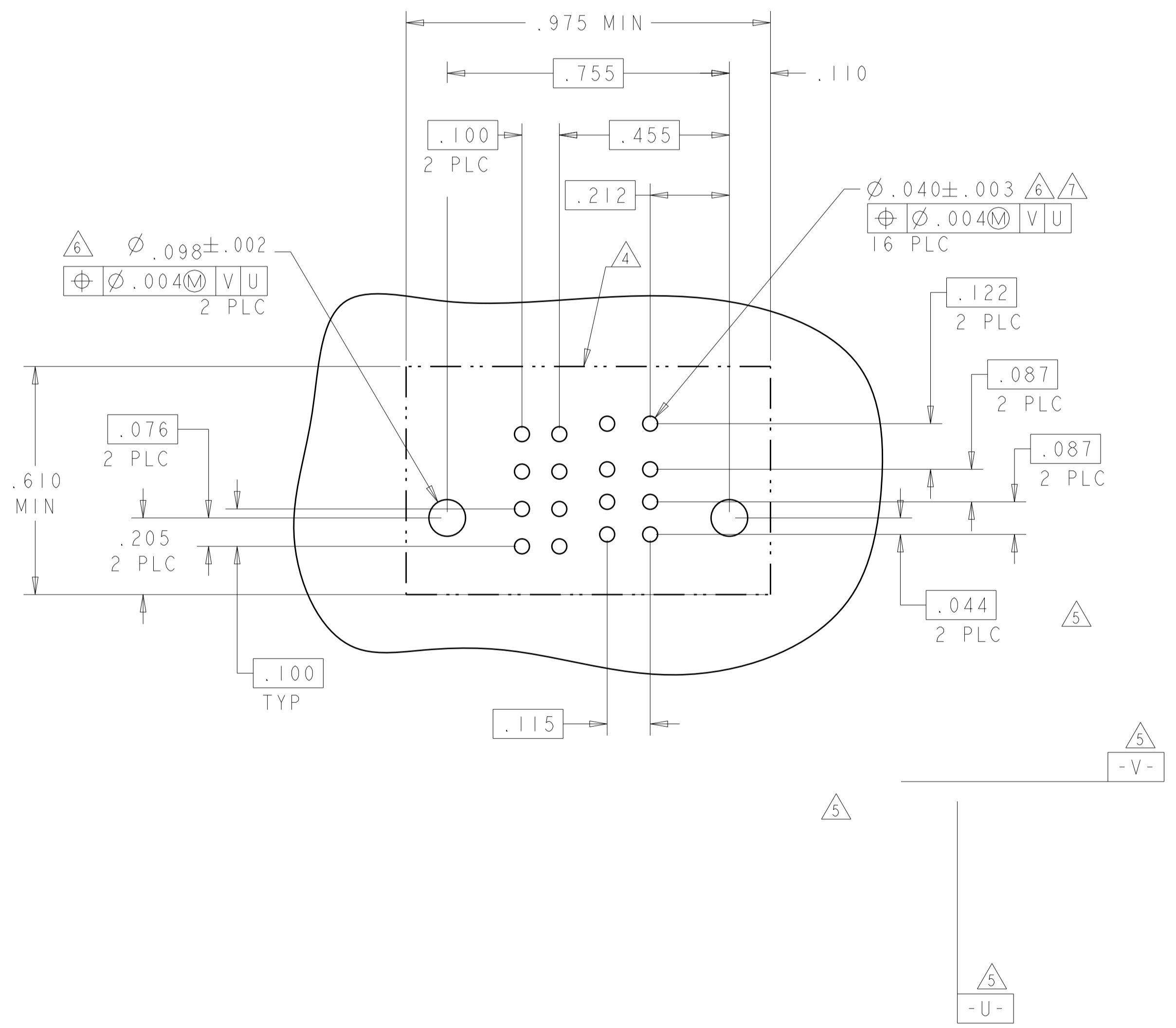
| | | | | | |
|-------------|--|-------|-----------|--|---------------|
| DIMENSIONS: | TOLERANCES UNLESS OTHERWISE SPECIFIED: | OWN | 18JUN2008 | TE Connectivity NAME: VERTICAL RECEPTACLE W/ P+S MULTI-BEAM XLE PRODUCT SPEC: 108-2292 APPLICATION SPEC: 114-13251 WEIGHT: - CUSTOMER DRAWING | |
| INCHES | 0 PLC ±.1 1 PLC ±.1 2 PLC ±.02 3 PLC ±.005 4 PLC ±.0020 ANGLES ±.7° | CHK | 18JUN2008 | | |
| | | APV | 18JUN2008 | | |
| | | | | | |
| MATERIAL: | FINISH: | SIZE | CAGE CODE | DRAWING NO | RESTRICTED TO |
| | | A1 | 00779 | 6450862 | |
| | | SCALE | 2:1 | SHEET | 7 OF 9 |
| | | REV | 7 | DATE | 07 |

| LOC | DIST | REV | DATE | BY | APPV |
|-----|------|-----|------|----|------|
| ES | 00 | | | | |

| PART NUMBER | ROWS | SIGNAL | | POWER | |
|-------------|------------------|--------|----|-------|-----|
| | | 2 | 1 | P2 | P1 |
| 2-6450862-1 | D C B A | AP | AP | LSI | LSI |
| | | AP | AP | | |
| | | AP | AP | | |
| | | AP | AP | | |
| 2LP + 8S | | | | | |

| PART NUMBER | ROWS | SIGNAL | | | | | | | | POWER | | | | | | | |
|-------------|------------------|--------|----|----|----|----|----|----|----|-------|----|----|----|----|----|----|----|
| | | 8 | 7 | 6 | 5 | 4 | 3 | 2 | 1 | P8 | P7 | P6 | P5 | P4 | P3 | P2 | P1 |
| 2-6450862-2 | D C B A | AP | AP | AP | AP | AP | AP | AP | AP | GS | GS | GS | GS | GS | GS | GS | GS |
| | | AP | AP | AP | AP | AP | AP | AP | AP | GS | GS | GS | GS | GS | GS | GS | GS |
| | | AP | AP | AP | AP | AP | AP | AP | AP | GS | GS | GS | GS | GS | GS | GS | GS |
| | | AP | AP | AP | AP | AP | AP | AP | AP | GS | GS | GS | GS | GS | GS | GS | GS |
| 8P + 32S | | | | | | | | | | | | | | | | | |

| PART NUMBER | ROWS | SIGNAL | | | | | | | | POWER | | | | | | | |
|-------------|------------------|--------|----|----|----|----|----|----|----|-------|----|----|----|----|----|----|----|
| | | 8 | 7 | 6 | 5 | 4 | 3 | 2 | 1 | P8 | P7 | P6 | P5 | P4 | P3 | P2 | P1 |
| 2-6450862-3 | D C B A | AP | AP | AP | AP | AP | AP | AP | AP | GP | GS | GS | GS | GS | GS | GS | GS |
| | | AP | AP | AP | AP | AP | AP | AP | AP | GP | GS | GS | GS | GS | GS | GS | GS |
| | | AP | AP | AP | AP | AP | AP | AP | AP | GP | GS | GS | GS | GS | GS | GS | GS |
| | | AP | AP | AP | AP | AP | AP | AP | AP | GP | GS | GS | GS | GS | GS | GS | GS |
| 8P + 32S | | | | | | | | | | | | | | | | | |

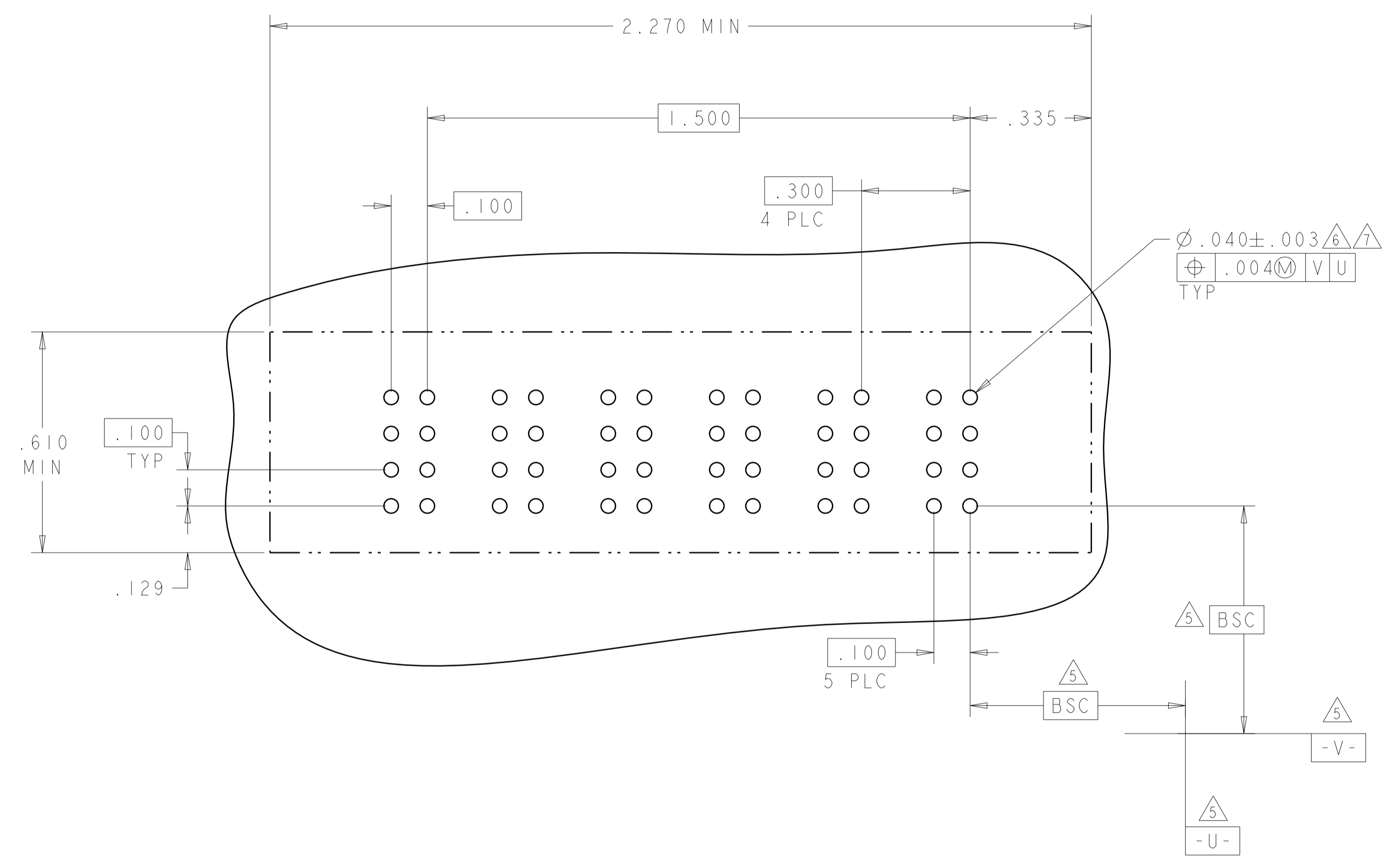


2-6450862-2 AND 2-6450862-3 PCB LAYOUT

| | | | |
|---|--|--|---------------------|
| THIS DRAWING IS A CONTROLLED DOCUMENT. | | OWN: S. ZHAO 18JUN2008 | TE Connectivity |
| DIMENSIONS: INCHES | | CHK: S. ZHAO 18JUN2008 | |
| TOLERANCES UNLESS OTHERWISE SPECIFIED: | | APPV: S. ZHAO 18JUN2008 | |
| 0 PLC ±.1 1 PLC ±.1 2 PLC ±.02 3 PLC ±.005 4 PLC ±.002 ANGLES ±.0020 | | PRODUCT SPEC: 108-2292 APPLICATION SPEC: 114-13251 WEIGHT: - MATERIAL: - FINISH: - | |
| MATERIAL: - | | NAME: VERTICAL RECEPTACLE W/ P+S MULTI-BEAM XLE | RESTRICTED TO: - |
| CUSTOMER DRAWING | | SCALE: 2:1 | SHEET: 8 OF 9 |

| LOC | DIST | REVISIONS | | | |
|-----|------|---------------|------|-----|------|
| P | LTN | DESCRIPTION | DATE | DWN | APVD |
| ES | 00 | - SEE SHEET 1 | - | - | - |
| | | | | | |
| | | | | | |

| PART NUMBER | ROWS | SIGNAL | | POWER | | | | |
|-------------|------|--------|----|-------|----|----|----|----|
| | | 2 | 1 | P5 | P4 | P3 | P2 | P1 |
| 2-6450862-4 | D | AP | AP | GP | GS | GS | GS | GS |
| | C | AP | AP | | | | | |
| | B | AP | AP | | | | | |
| | A | AP | AP | | | | | |
| 5ACP + 8S | | | | | | | | |



| | | | |
|--|--|---|---|
| THIS DRAWING IS A CONTROLLED DOCUMENT. | | DWN S. ZHAO 18JUN2008 | |
| DIMENSIONS: INCHES | | CHK S. ZHAO 18JUN2008 | |
| TOLERANCES UNLESS OTHERWISE SPECIFIED: | | APVD S. ZHAO 18JUN2008 | |
| 0 PLC ±.1 1 PLC ±.1 2 PLC ±.02 3 PLC ±.005 4 PLC ±.0020 ANGLES ±.2° | | PRODUCT SPEC 108-2292 APPLICATION SPEC 114-13251 WEIGHT - CUSTOMER DRAWING | |
| MATERIAL - | | FINISH - | NAME VERTICAL RECEPTACLE W/ P+S MULTI-BEAM XLE SIZE A100779 C=6450862 SCALE 2:1 SHEET 9 OF 9 REV 07 |