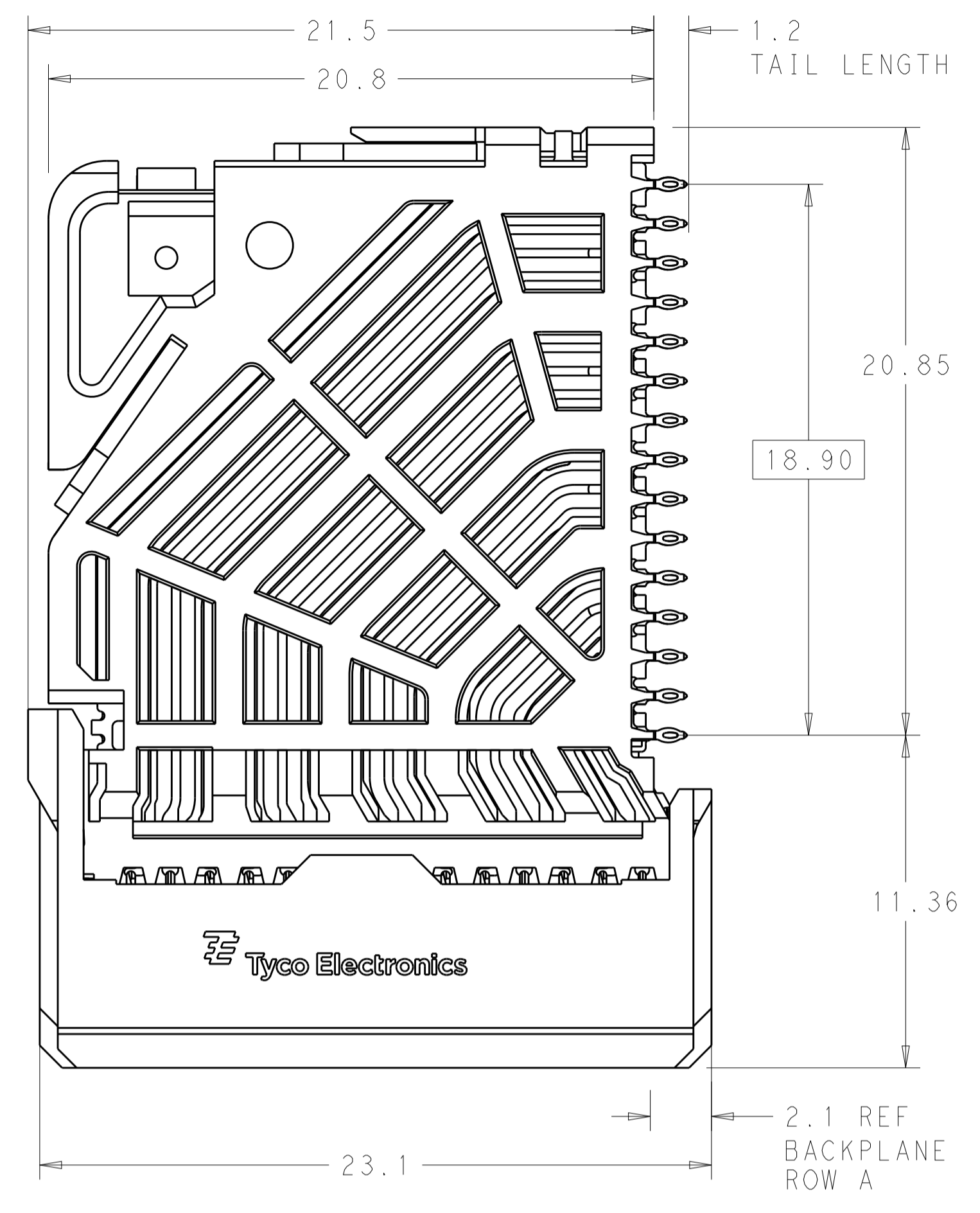
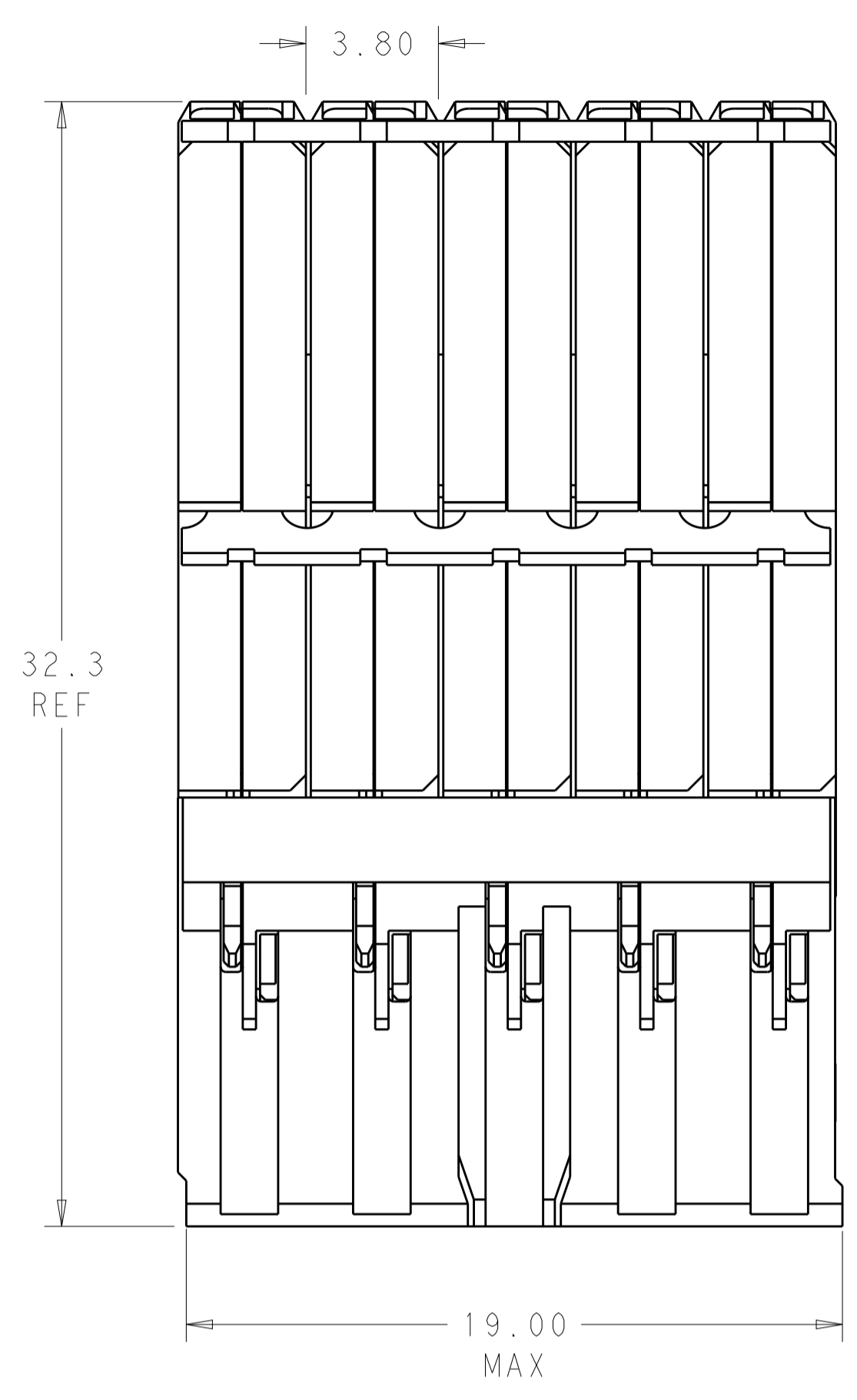
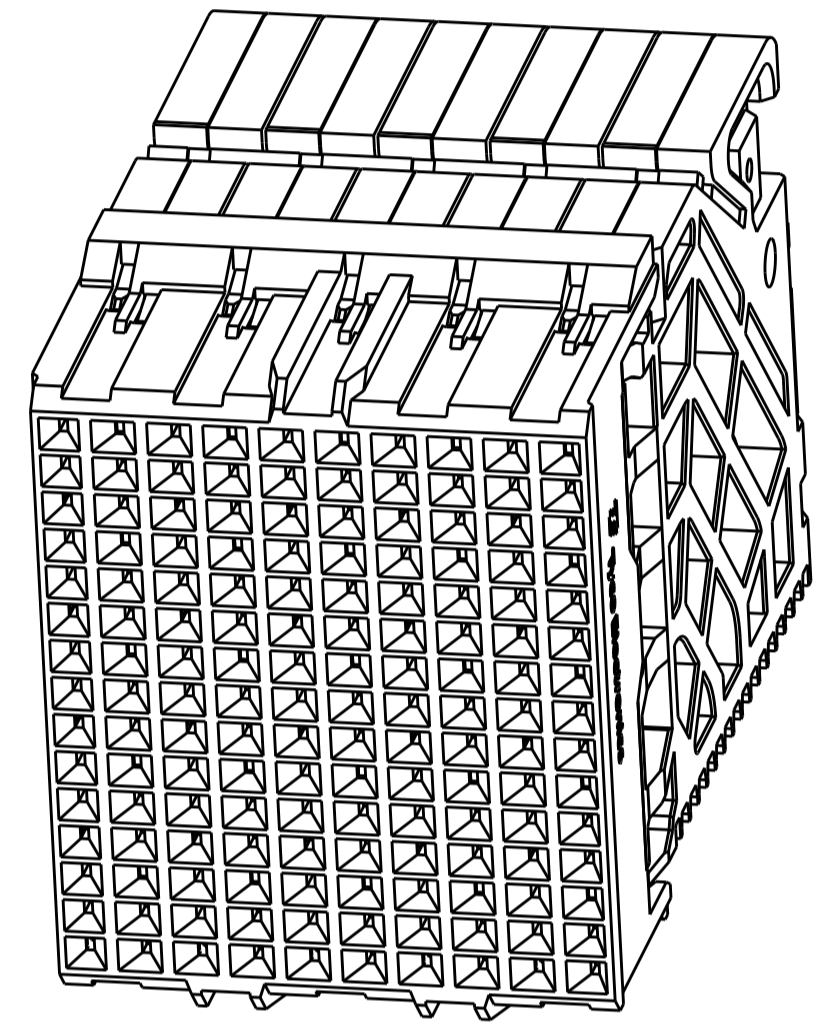


REVISIONS				
P.	LTN.	DESCRIPTION	DATE	DWN. APVD.
	C2	REVISED PER ECO-15-004915	09APR2015	AP DD

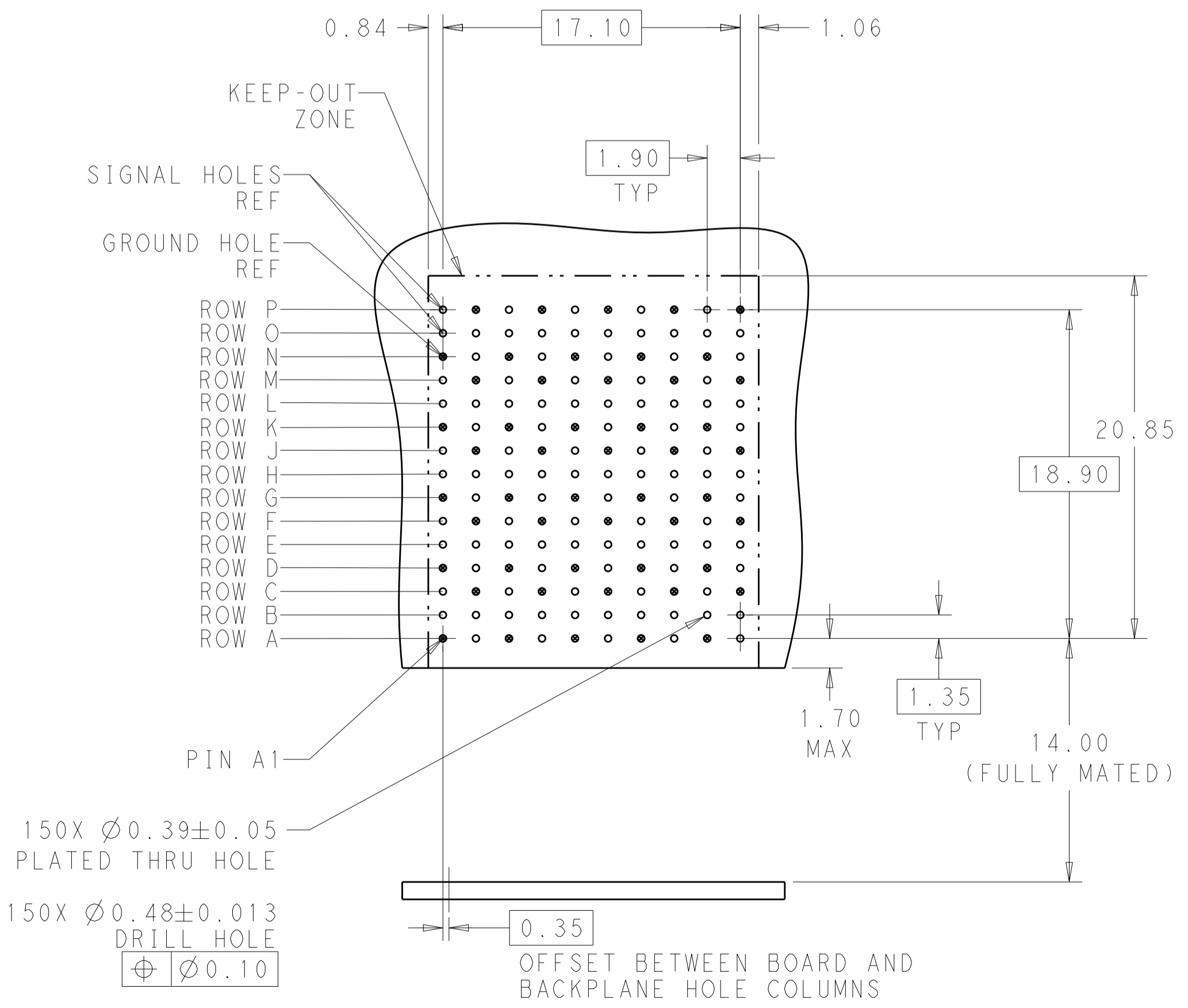
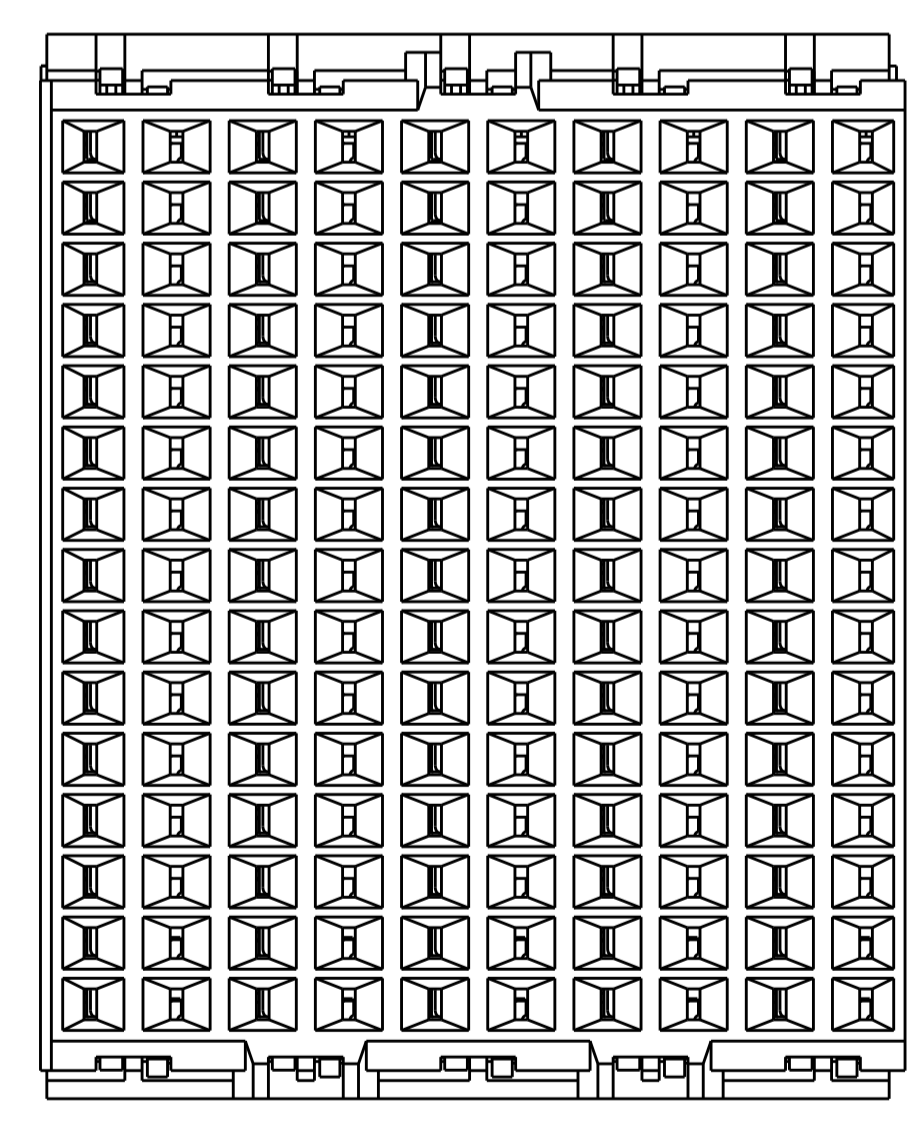


- ⚠ MATERIAL:  
HOUSING: LCP, GLASS FILLED, UL94V-0.  
TERMINALS: HIGH PERFORMANCE COPPER ALLOY.
- ⚠ FINISH:  
30μ" SELECTIVE GOLD IN CONTACT AREA. SELECTIVE TIN ON PCB TAILS, NICKEL OVERALL.
- 3. CONNECTORS SUPPLIED WITH MOUNTING SCREW.



SCALE 4:1

REFER TO WWW.TE.COM FOR PRODUCT AVAILABILITY



150X Ø0.39±0.05 PLATED THRU HOLE  
 150X Ø0.48±0.013 DRILL HOLE  
 Ø0.10

RECOMMENDED PCB LAYOUT  
 MIN BOARD THICKNESS 1.0

NONE	⚠	2110106-1
KEY POSITION	FINISH	PART NUMBER
<b>STE</b> TE Connectivity		
DIMENSIONS: mm TOLERANCES UNLESS OTHERWISE SPECIFIED: 0 PLC ± 1 PLC ±0.2 2 PLC ±0.13 3 PLC ± 4 PLC ± ANGLES ± FINISH SEE TABLE		DWN. J.K. SHOBER 19JAN2011 CHK. D. DIXON 19JAN2011 APVD. D. DIXON 19JAN2011 NAME: IMPACT, 5 PAIR, DAUGHTERCARD PRODUCT SPEC: 10 COLUMN, UNGUIDED, SIGNAL MODULE, 0.39 EYELET APPLICATION SPEC: SIZE: A1 CAGE CODE: 00779 DRAWING NO: C=2110106 WEIGHT: RESTRICTED TO: Customer Drawing
SCALE 6:1		SHEET 1 OF 1 REV C2