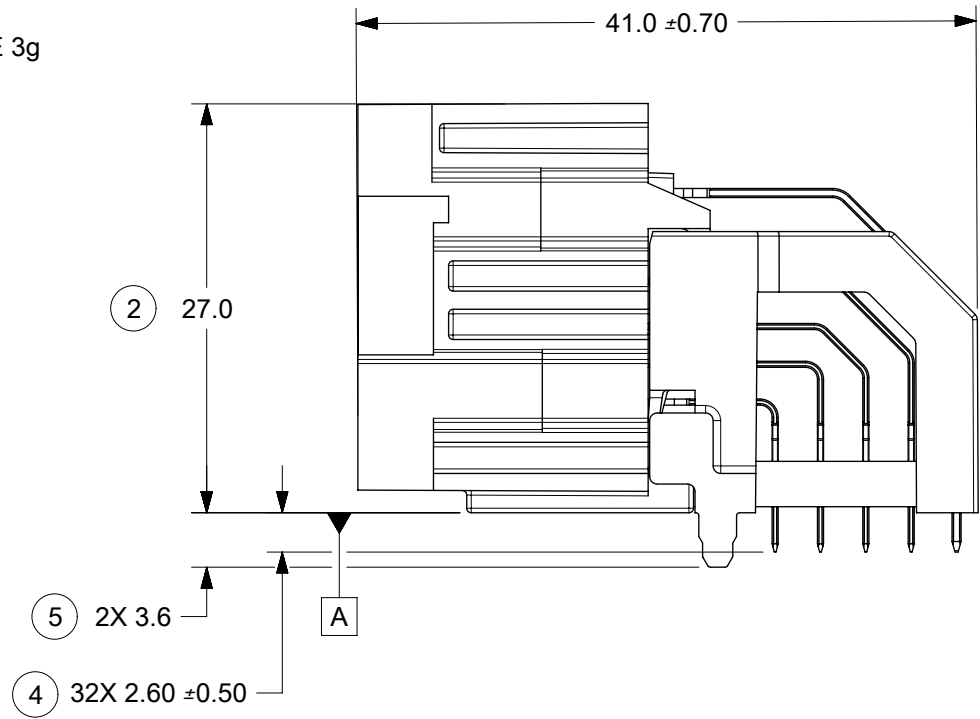
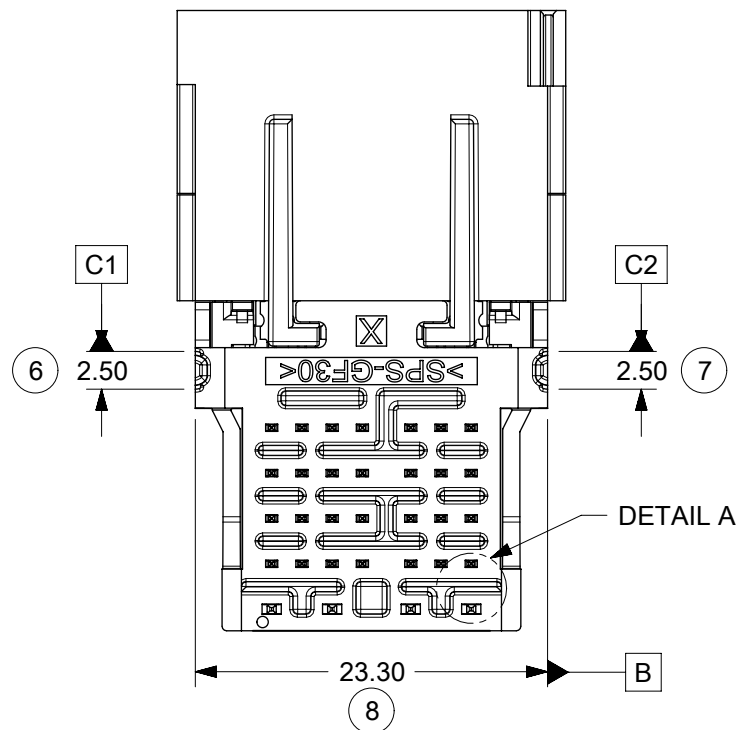
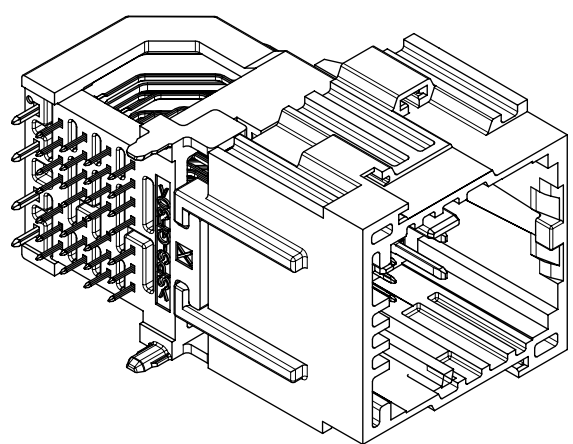


KEY 1
PART NO. 2005020321



PART NUMBER	KEY	COLOR	TERMINAL QUANTITIES	
			0.5mm	1.2mm
2005020321	1	BLACK	28	4
2005020322	2	BLUE		
2005020323	3	DARK GRAY		
2005020324	4	PURPLE		

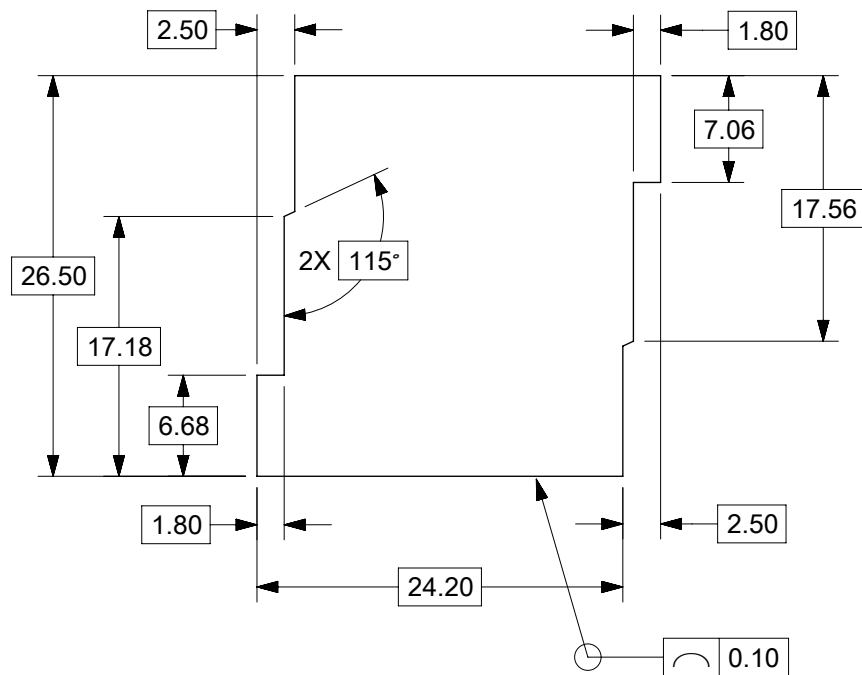
FOUR (4) KEYS AVAILABLE
SEE INTERFACE DRAWING
SD-160028-002 FOR DEFINITION



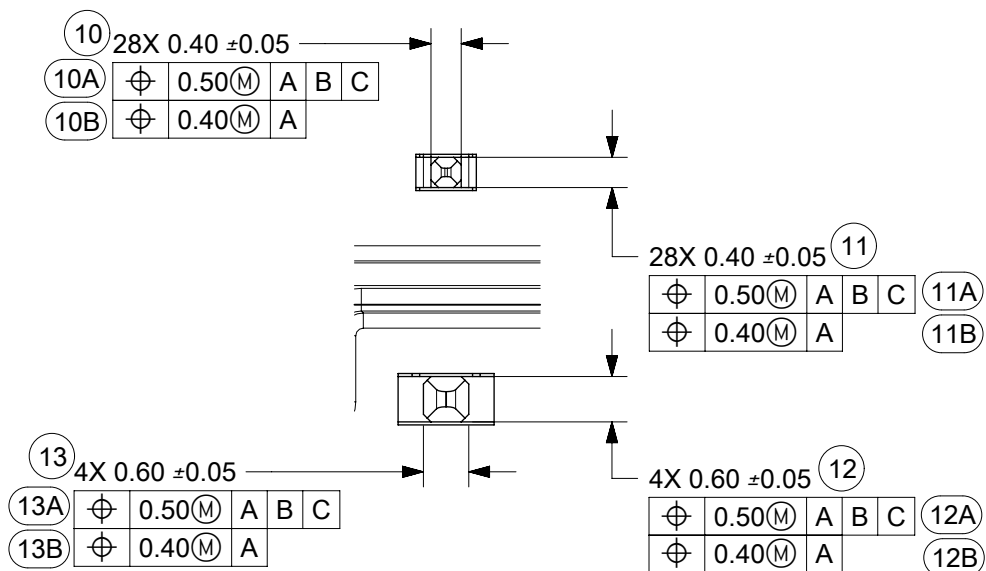
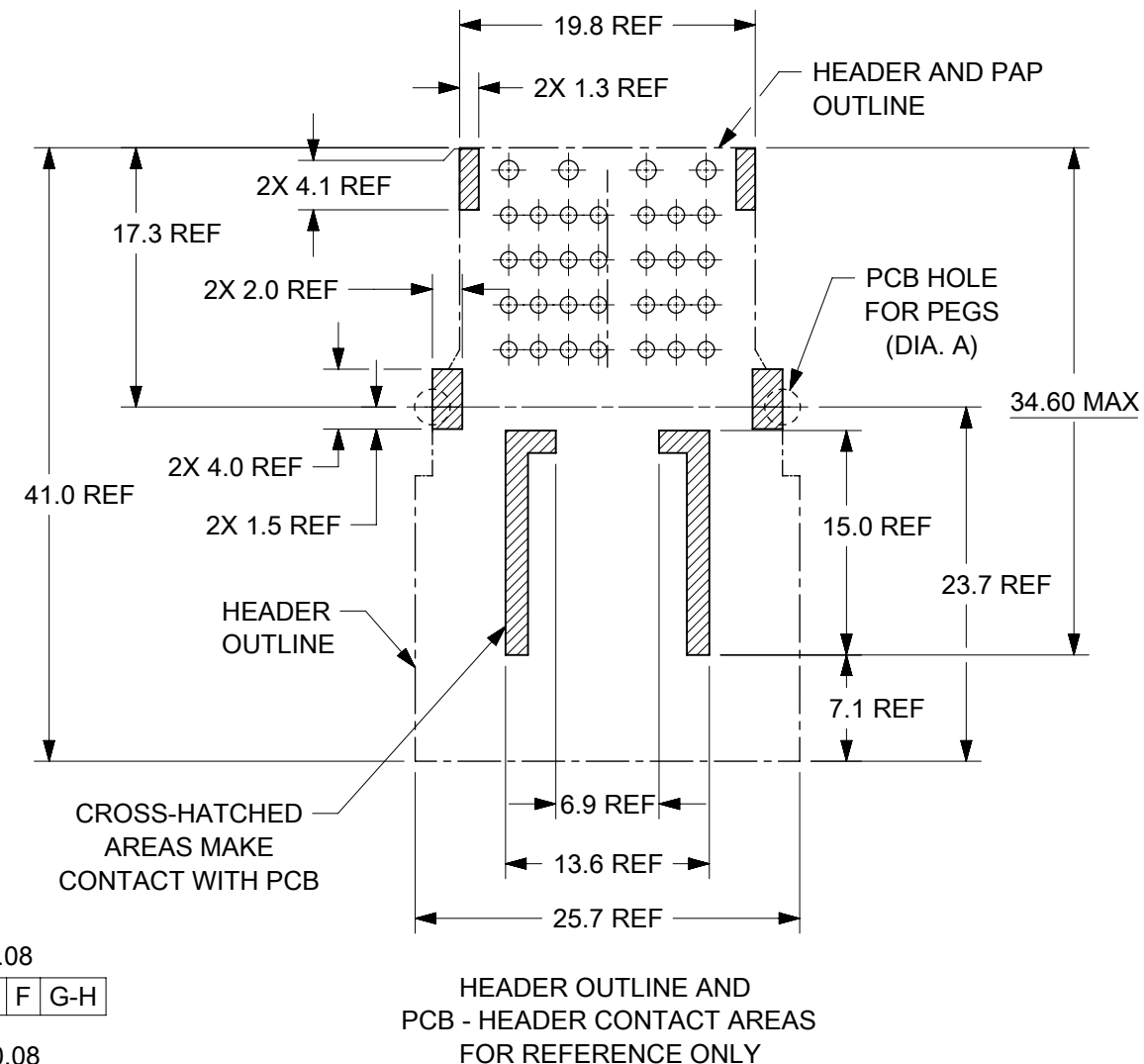
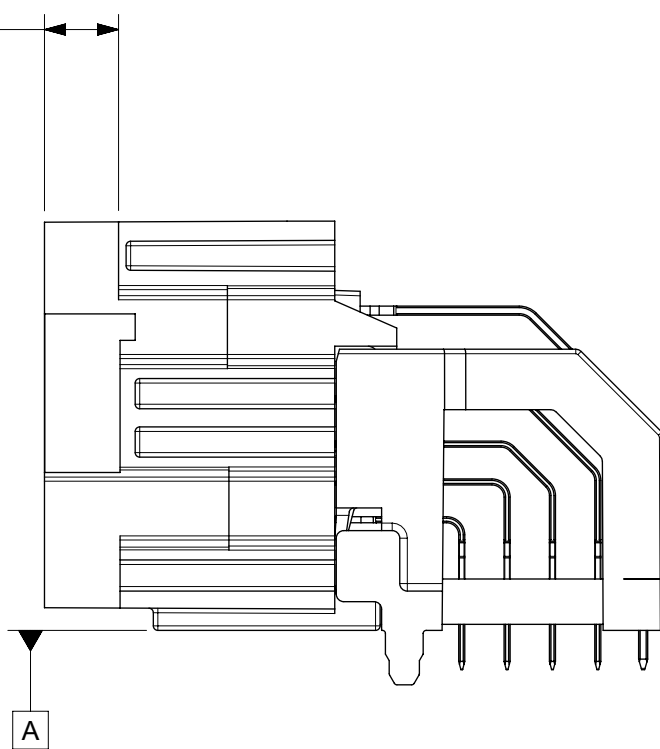
- NOTES: VALID UNLESS OTHERWISE SPECIFIED
- GENERAL:
 - APPLICATION SPECIFICATION: 2005060000-AS
 - PRODUCT SPECIFICATION: 2005060001-PS
CLASSIFICATIONS T1V1S1 TO GMW 3191 2012
DEGREE OF PROTECTION IP40 TO ISO 20653 WITH MOLEX MATING CONNECTOR
 - PACKAGING SPECIFICATION PER MOLEX DRAWING
 - DESIGN - MATERIALS:
 - HOUSING: SPS 30% GF
 - BLADE TERMINALS:
 - 0.5MM BLADES
BASE MATERIAL: COPPER ALLOY
CONDUCTIVITY ≥ 28% IACS @ 20°C
UNDERPLATE: OVERALL NICKEL
OVERPLATE: OVERALL TIN
 - 1.2MM BLADES
BASE MATERIAL: COPPER ALLOY
CONDUCTIVITY ≥ 28% IACS @ 20°C
UNDERPLATE: OVERALL NICKEL
OVERPLATE: OVERALL TIN
 - DESIGN - GEOMETRY:
 - ALL GRAPHIC DATA IS BASIC (NO TOLERANCE) AND MUST BE TAKEN FROM THE DATA FILE AT ITS LATEST REVISION.
 - PRODUCT DESIGN MODEL NUMBER 2005020320
 - GEOMETRIC DIMENSIONS AND TOLERANCES PER ASME Y14.5-2009
 - EDGES AND UNDIMENSIONED DETAILS PER ISO13715
 - CORNERS SHOWN AS SHARP TO BE R 0.4 MAX.
 - LETTERING SHALL BE MAX POSSIBLE FOR READABILITY.
THIS INCLUDES RECYCLING CODE, CAVITY ID, VENDOR IDENTIFICATION, AND CUSTOMER MATERIAL NUMBER.
 - FOR BAY/POCKET DEFINITION SEE MOLEX INTERFACE DRAWING SD-160028-002
 - MATING HARNESS CONNECTORS MOLEX PN:
1600280001 (KEY 1)
1600280002 (KEY 2)
1600280003 (KEY 3)
1600280004 (KEY 4)
 - DESIGN - MANUFACTURING:
 - VISUAL DEFECTS SHALL MEET COSMETIC STANDARD PS-45499-002 (CLASS B)
 - REFLOW SOLDERABILITY PER SMES-152

THIS DRAWING CONTAINS INFORMATION THAT IS PROPRIETARY TO MOLEX ELECTRONIC TECHNOLOGIES, LLC AND SHOULD NOT BE USED WITHOUT WRITTEN PERMISSION									
DIMENSION UNITS mm	SCALE 2:1	CURRENT REV DESC: PCB CONTACT AREA DET			molex				
GENERAL TOLERANCES (UNLESS SPECIFIED)		EC NO: 630264							
ANGULAR TOL	± °	DRWN: YPENG47 2020/02/17			PRODUCT CUSTOMER DRAWING				
4 PLACES	± 0.0	CHK'D: JRUTTER 2020/04/03			DOCUMENT NUMBER				
3 PLACES	± 0.0	APPR: JCONDON 2020/05/11			2005021320SD				
2 PLACES	± 0.13	INITIAL REVISION:			DOC TYPE DOC PART REVISION				
1 PLACE	± 0.25	DRWN: JRUTTER 2015/06/26			PSD 000 C2				
0 PLACES	± 0.0	APPR: RBAUMAN 2016/08/22			MATERIAL NUMBER CUSTOMER SHEET NUMBER				
DRAFT WHERE APPLICABLE MUST REMAIN WITHIN DIMENSIONS		THIRD ANGLE PROJECTION	DRAWING	SERIES	SEE CHART		1 OF 2		

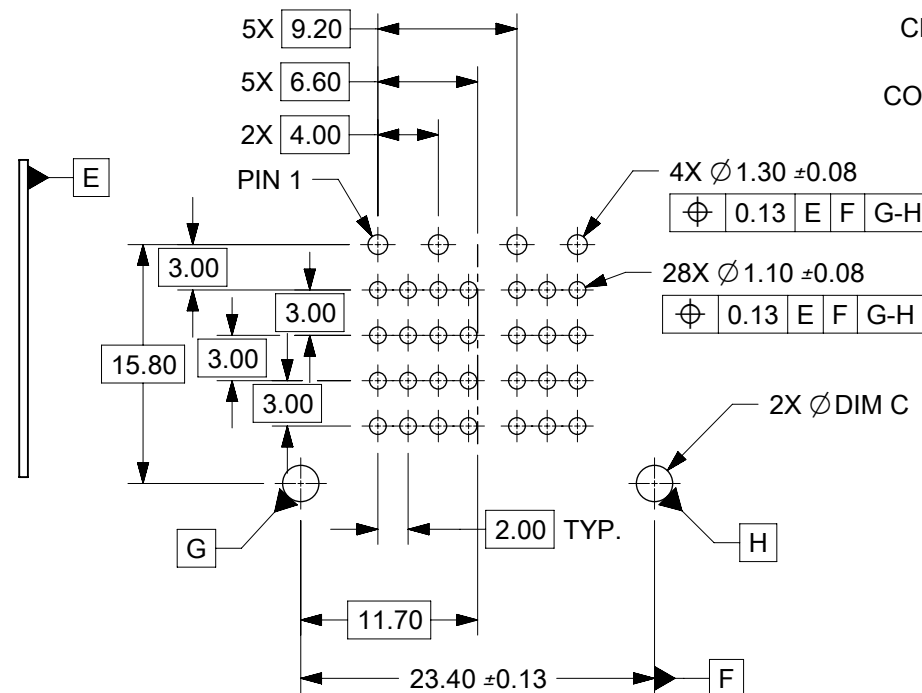
RECOMMENDED MODULE OPENING
TO PASS ISO 20653 IP40



9 4.90
SPACE FOR
MODULE
COVER



DETAIL A
SCALE 10:1



PCB LAYOUT
FOR REFERENCE

POST HOLE FIT	DIM C
PRESS FIT	2.40±0.08
DROP IN	2.90 MIN

C2	ADDED PCB HOLE DIMENSIONAL & POSITIONAL TOLERANCE 17-Feb-2020 YPENG47 ECN:630264
REVISION	DESCRIPTION

THIS DRAWING CONTAINS INFORMATION THAT IS PROPRIETARY TO MOLEX ELECTRONIC TECHNOLOGIES, LLC AND SHOULD NOT BE USED WITHOUT WRITTEN PERMISSION										
DIMENSION UNITS	SCALE	CURRENT REV DESC: PCB CONTACT AREA DET								
mm	1:1									
GENERAL TOLERANCES (UNLESS SPECIFIED)		EC NO: 630264		2020/02/17		STAK50H MOD HDR 32 RA SOLDER SINGLE BAY				
ANGULAR TOL	± °	DRWN: YPENG47		2020/04/03		PRODUCT CUSTOMER DRAWING				
4 PLACES	± 0.0	CHK'D: JRUTTER		2020/05/11		DOCUMENT NUMBER				
3 PLACES	± 0.0	APPR: JCONDON				2005021320SD		PSD	000	C2
2 PLACES	± 0.13	INITIAL REVISION:				MATERIAL NUMBER		CUSTOMER		SHEET NUMBER
1 PLACE	± 0.25	DRWN: JRUTTER		2015/06/26		SEE CHART				2 OF 2
0 PLACES	± 0.0	APPR: RBAUMAN		2016/08/22						
DRAFT WHERE APPLICABLE MUST REMAIN WITHIN DIMENSIONS		THIRD ANGLE PROJECTION	DRAWING	SERIES	MATERIAL NUMBER		CUSTOMER		SHEET NUMBER	
			B-SIZE	200502	SEE CHART				2 OF 2	