

1-104891-0 ✓ ACTIVE

AMPMODU | AMPMODU 50/50 Grid

TE Internal #: 1-104891-0

PCB Connector Covers, 100 Position, .05 in [1.27 mm] Centerline, 2 Row, Polyester, Standard Product Profile, Terminating, AMPMODU 50/50 Grid

[View on TE.com >](#)



Connectors > PCB Connectors > PCB Connector Accessories > PCB Protection & Strain Relief > PCB Connector Covers



Number of Positions: 100

Centerline (Pitch): 1.27 mm [.05 in]

Number of Rows: 2

Primary Product Material: Polyester

Row-to-Row Spacing: 1.27 mm [.05 in]

Features

Product Type Features

Product Profile	Standard
Connector Cover Type	Terminating

Configuration Features

Number of Positions	100
Number of Rows	2

Body Features

Connector Cover Side	Front
Primary Product Color	Black
Primary Product Material	Polyester

Housing Features

Centerline (Pitch)	1.27 mm[.05 in]
--------------------	-----------------

Dimensions

Row-to-Row Spacing	1.27 mm[.05 in]
--------------------	-----------------

Usage Conditions

Operating Temperature Range	-65 – 105 °C[-85 – 221 °F]
-----------------------------	----------------------------

Industry Standards

UL Flammability Rating	UL 94V-0
------------------------	----------



Product Compliance

[For compliance documentation, visit the product page on TE.com>](#)

EU RoHS Directive 2011/65/EU	Compliant
EU ELV Directive 2000/53/EC	Compliant
China RoHS 2 Directive MIIT Order No 32, 2016	No Restricted Materials Above Threshold
EU REACH Regulation (EC) No. 1907/2006	Current ECHA Candidate List: JUNE 2023 (235) Candidate List Declared Against: JUNE 2022 (224) Does not contain REACH SVHC
Halogen Content	Not Low Halogen - contains Br or Cl > 900 ppm.
Solder Process Capability	Not applicable for solder process capability

Product Compliance Disclaimer

This information is provided based on reasonable inquiry of our suppliers and represents our current actual knowledge based on the information they provided. This information is subject to change. The part numbers that TE has identified as EU RoHS compliant have a maximum concentration of 0.1% by weight in homogenous materials for lead, hexavalent chromium, mercury, PBB, PBDE, DBP, BBP, DEHP, DIBP, and 0.01% for cadmium, or qualify for an exemption to these limits as defined in the Annexes of Directive 2011/65/EU (RoHS2). Finished electrical and electronic equipment products will be CE marked as required by Directive 2011/65/EU. Components may not be CE marked. Additionally, the part numbers that TE has identified as EU ELV compliant have a maximum concentration of 0.1% by weight in homogenous materials for lead, hexavalent chromium, and mercury, and 0.01% for cadmium, or qualify for an exemption to these limits as defined in the Annexes of Directive 2000/53/EC (ELV). Regarding the REACH Regulation, the information TE provides on SVHC in articles for this part number is based on the latest European Chemicals Agency (ECHA) 'Guidance on requirements for substances in articles' posted at this URL: <https://echa.europa.eu/guidance-documents/guidance-on-reach>

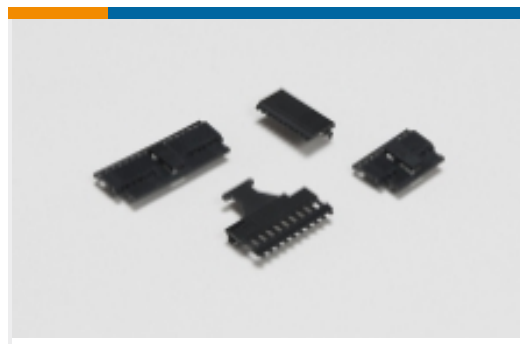
Compatible Parts



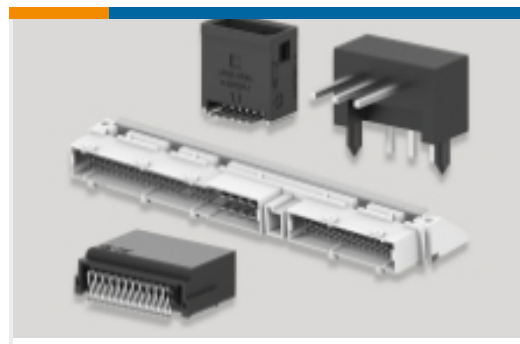
Also in the Series | [AMPMODU 50/50 Grid](#)



Insertion & Extraction Tools(1)



PCB Connector Covers(9)

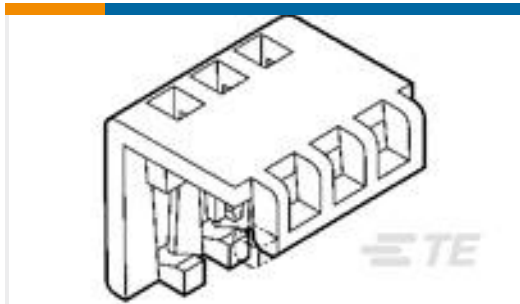


PCB Headers & Receptacles(302)



Ribbon Cable Connectors(34)

Customers Also Bought



TE Part #643075-2
02P MTA100 MOLDED COVER



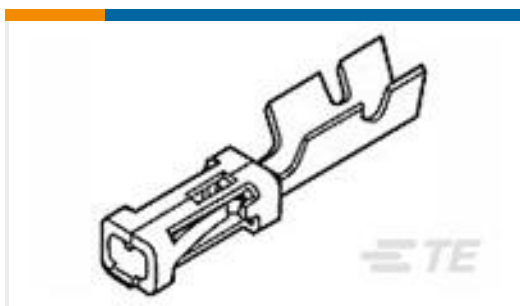
TE Part #747238-4
25 MSFL PLUG RA 318 (IN,FM)



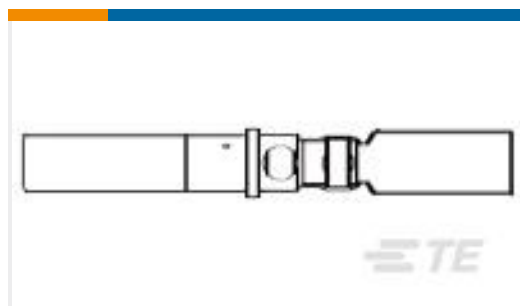
TE Part #102387-1
10 MODIV HSG COMP DR .100 POL



TE Part #102387-3
16 MODIV HSG COMP DR .100 POL



TE Part #87756-6
MOD IV RECP PLTD SN



TE Part #601064-000
D-610-10



TE Part #32051
PIDG SPD 22-16COMM 22-18MIL 10



TE Part #228583-1
RT ANGLE PLUG, SERIES SMA



TE Part #2-5330061-1
BNC PLUG



TE Part #624512-000
D-146-0207

Documents

Product Drawings

[100 50/50 GRID CBLE RCPT COVER](#)

English

CAD Files

[3D PDF](#)

English

Customer View Model

[ENG_CVM_1-104891-0_C.3d_igs.zip](#)



English

Customer View Model

[ENG_CVM_1-104891-0_C.3d_stp.zip](#)

English

Customer View Model

[ENG_CVM_1-104891-0_C.2d_dxf.zip](#)

English

By downloading the CAD file I accept and agree to the [Terms and Conditions](#) of use.

Datasheets & Catalog Pages

[AMPMODU_INTERCONNECTION_SYSTEM_SECTION1AND2](#)

English

[Ribbon Cable Interconnect Solutions](#)

English

[Fine Pitch Stacking Connectors - 1.27mm AMPMODU 50/50 Grid Connectors](#)

English

[5-1773700-6_AMPMODU_50_50_QRG](#)

English

Product Specifications

[Application Specification](#)

English