

170014-6 ✓ ACTIVE

FASTIN-FASTON | FASTIN-FASTON 110

TE Internal #: 170014-6

Quick Disconnects, Tab, 20 – 16 AWG Wire Size, .51 – 1.31 mm<sup>2</sup>

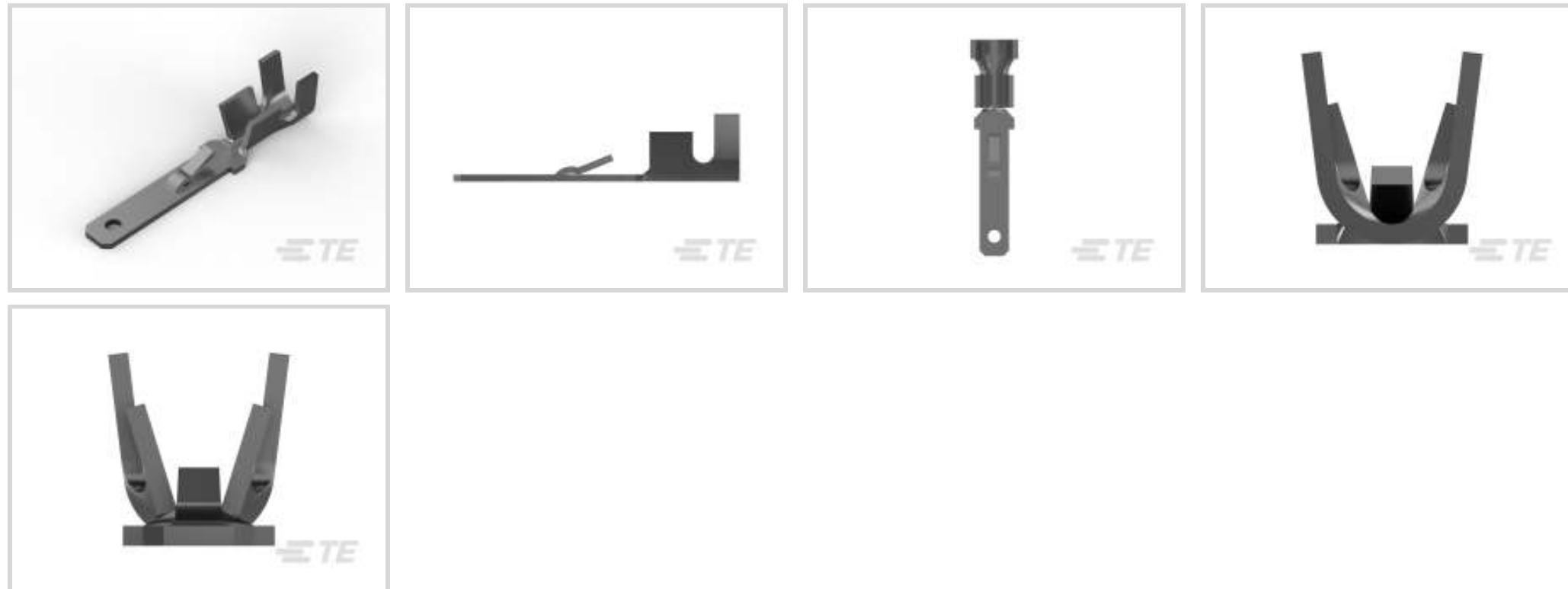
Wire Size, Mating Tab Width 2.8 mm [.11 in], Straight, Brass,

FASTIN-FASTON 110

[View on TE.com >](#)



Terminals & Splices > Quick Disconnects



Quick Disconnect Terminal Type: **Tab**

Wire Size: **.51 – 1.31 mm<sup>2</sup>**

Mating Tab Width: **2.8 mm [.11 in]**

Mating Tab Thickness: **.51 mm [.02 in]**

## Features

### Product Type Features

Insertion Force	Normal
-----------------	--------

### Configuration Features

Connection Capacity	Single
Compatible With Wire & Cable Type	Discrete Wire

### Contact Features

Quick Disconnect Terminal Type	Tab
Mating Tab Width	2.8 mm [.11 in]
Mating Tab Thickness	.51 mm [.02 in]
Terminal Orientation	Straight
Contact Base Material	Brass
Terminal Plating Material	Pre-Tin
Crimp Type	F-Crimp
Barrel Type	Open

### Termination Features

--	--



Product Terminates To	Wire & Cable
-----------------------	--------------

### Mechanical Attachment

Locking Lance Height	2.1 mm[.083 in]
----------------------	-----------------

Wire Insulation Support	With
-------------------------	------

Mating Retention Type	Dimple
-----------------------	--------

### Dimensions

Terminal Material Thickness	.51 mm[.02 in]
-----------------------------	----------------

Product Length	20.5 mm[.807 in]
----------------	------------------

Compatible Insulation Diameter Range	2.01 – 3 mm[.079 – .118 in]
--------------------------------------	-----------------------------

Wire Size	.51 – 1.31 mm <sup>2</sup>
-----------	----------------------------

### Usage Conditions

Insulation Option	Uninsulated
-------------------	-------------

Operating Temperature Range	-40 – 110 °C[-40 – 230 °F]
-----------------------------	----------------------------

### Packaging Features

Packaging Quantity	5000
--------------------	------

Packaging Method	Strip/Reel
------------------	------------

### Product Compliance

[For compliance documentation, visit the product page on TE.com>](#)

EU RoHS Directive 2011/65/EU	Compliant
------------------------------	-----------

EU ELV Directive 2000/53/EC	Compliant
-----------------------------	-----------

China RoHS 2 Directive MIIT Order No 32, 2016	No Restricted Materials Above Threshold
---	---

EU REACH Regulation (EC) No. 1907/2006	Current ECHA Candidate List: JUNE 2023 (235) Candidate List Declared Against: JUNE 2023 (235) Does not contain REACH SVHC
--	---

Halogen Content	Low Halogen - Br, Cl, F, I < 900 ppm per homogenous material. Also BFR/CFR/PVC Free
-----------------	---

Solder Process Capability	Not applicable for solder process capability
---------------------------	--

#### Product Compliance Disclaimer

This information is provided based on reasonable inquiry of our suppliers and represents our current actual knowledge based on the information they provided. This information is subject to change. The part numbers that TE has identified as EU RoHS compliant have a maximum concentration of 0.1% by weight in homogenous materials for lead, hexavalent chromium, mercury, PBB, PBDE, DBP, BBP, DEHP, DIBP, and 0.01% for cadmium, or qualify for an exemption to these



limits as defined in the Annexes of Directive 2011/65/EU (RoHS2). Finished electrical and electronic equipment products will be CE marked as required by Directive 2011/65/EU. Components may not be CE marked. Additionally, the part numbers that TE has identified as EU ELV compliant have a maximum concentration of 0.1% by weight in homogenous materials for lead, hexavalent chromium, and mercury, and 0.01% for cadmium, or qualify for an exemption to these limits as defined in the Annexes of Directive 2000/53/EC (ELV). Regarding the REACH Regulation, the information TE provides on SVHC in articles for this part number is based on the latest European Chemicals Agency (ECHA) 'Guidance on requirements for substances in articles' posted at this URL: <https://echa.europa.eu/guidance-documents/guidance-on-reach>

## Compatible Parts



TE Part # 62447-2  
 AMVAR FF 187 TAB 22-16AWG TPBR



TE Part # 160719-3  
 FASTIN FASTON (FF) TAB 20/16 AWG BR



TE Part # 2-2150073-1  
 OCEAN\_2.0\_Applicator-E-100F140F



TE Part # 2-2150073-2  
 OCEAN\_2.0\_Applicator-E-100F140F



TE Part # 2150073-1  
 OCEAN\_2.0\_Applicator-E-100F140F



TE Part # 2150073-2  
 OCEAN\_2.0\_Applicator-E-100F140F



TE Part # 62443-1  
 AMVAR FF 187 TAB 12-10AWG TPBR



TE Part # 7-2150073-1  
 OCEAN\_2.0\_Applicator-E-100F140F




TE Part # 7-2150073-2  
 OCEAN\_2.0\_Applicator-E-100F140F

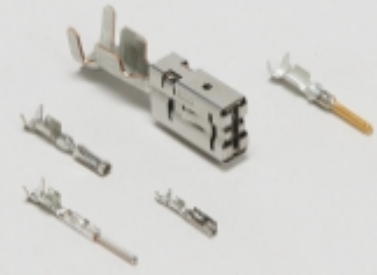


TE Part # 7-2150073-7  
 OCEAN\_2.0\_SPARE\_PART\_KIT-100F140F

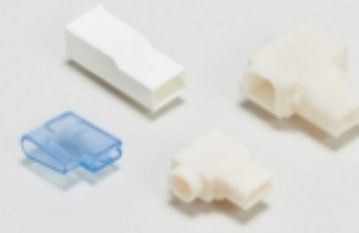
## Also in the Series | FASTIN-FASTON 110




Automotive Housings(6)



Automotive Terminals(5)



Crimp Terminal Housings(34)

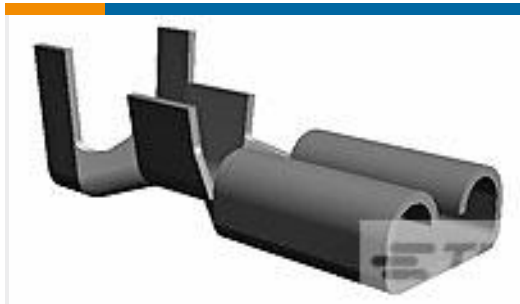


Insertion & Extraction Tools(3)



Quick Disconnects(83)

## Customers Also Bought



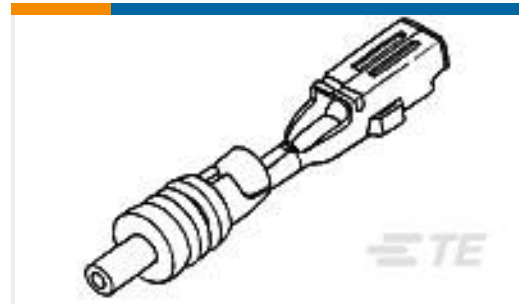
TE Part #170037-2  
 187 FASTON,REC.,20-16 AWG,TPBR



TE Part #170030-2  
 FF 250 TAB 20-14AWG TPBR



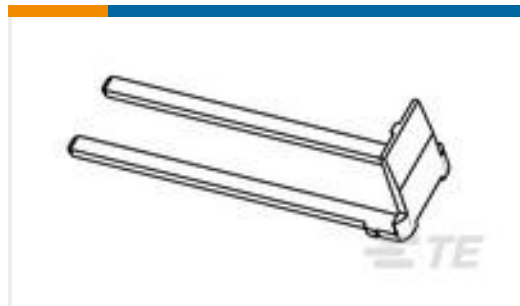
TE Part #170140-2  
 187 FASTON,FLAG,REC.,16-20 AWG, TPBR



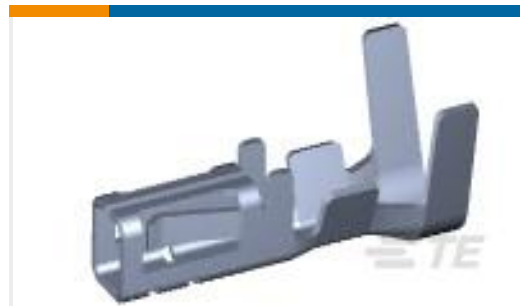
TE Part #171662-5  
 E-J MK-2 070 USA REV A ONLY



TE Part #2236793-3  
 SMARTSEAL TERMINAL



TE Part #1670789-1  
 2. LOCK



TE Part #1983780-1  
 NG GIC 3.3 REC CONTACT TIN PLATE



TE Part #1-2291193-3  
 SMARTSEAL TERMINAL



TE Part #2201289-1  
 1.0 SEALED RECEPTACLE CONTACT  
 SS-SIZE SN



TE Part #2305881-1  
 CVTY PLUG,090 SERIES,CVTY DIA,1,  
 GRY

## Documents

### Product Drawings

[FF 110 TAB 20-16AWG PTBR](#)

English

### CAD Files

Customer View Model

[ENG\\_CVM\\_CVM\\_170014-6\\_AP.2d\\_dxf.zip](#)

English

[3D PDF](#)



3D

Customer View Model

[ENG\\_CVM\\_CVM\\_170014-6\\_AP.3d\\_igs.zip](#)

English

Customer View Model

[ENG\\_CVM\\_CVM\\_170014-6\\_AP.3d\\_stp.zip](#)

English

By downloading the CAD file I accept and agree to the [Terms and Conditions](#) of use.

---

## Product Specifications

[Product Specification](#)

English

---

## Product Environmental Compliance

[Product Compliance](#)

English

[Product Compliance](#)

English