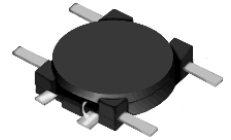
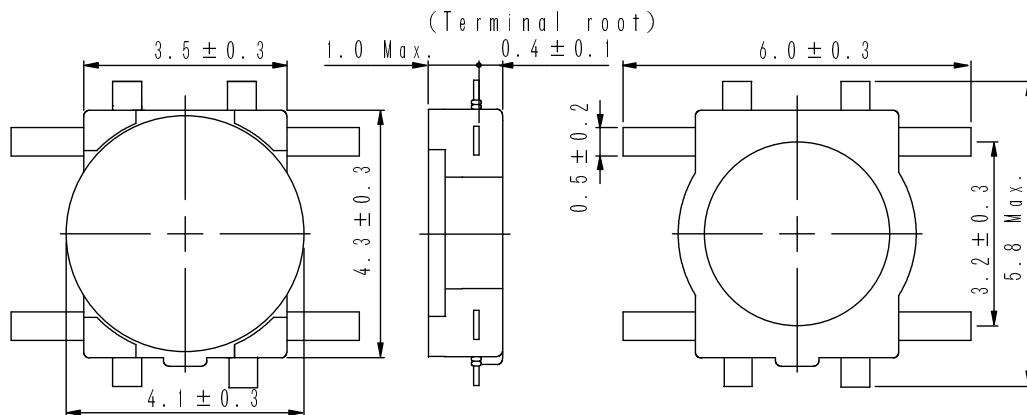
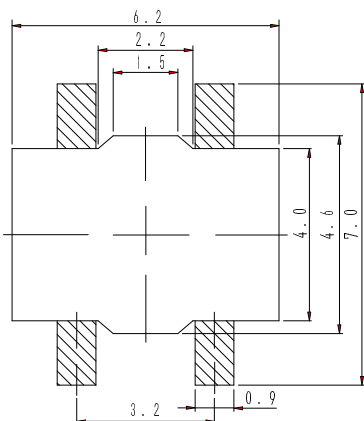
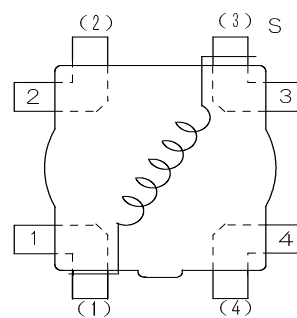


Type: CMD4D08
◆ Product Description

- 6.3 × 5.8mm Max.(L × W), 1.0mm Max. Height.
- Inductance Range: 3.3 ~ 100 μH.
- Rated current range: 0.17 ~ 0.85A.
- 4 Terminal pins' type gives a flexible design as inductors or transformers(SEPIC, ZETA circuit).
- In addition to the standards versions used as power inductors shown here, custom designs as transformers(SEPIC, ZETA circuit) and inductors are also available.


◆ Feature

- Magnetically unshielded construction.
- Ideally used in portable devices such as Mobilephone, DSC/DVC, MP3, PDA, etc as DC-DC Converter inductors, specially suitable for White LED drive.
- RoHS Compliance

◆ Dimensions (mm)

◆ Land Pattern (mm)

◆ Schematics(Bottom)


"S" is winding start.

Type: CMD4D08
◆ Specification

Part No. ※	Stamp	Inductance (μH) 100kHz/1V	D.C.R.(m Ω) Max.(Typ.) (at 20°C)	Saturation Current (mA) (at 20°C)※1	Temperature Rise current (mA) ※2
CMD4D08NP-3R3M□	3R3	3.3±20%	160(123)	1200	850
CMD4D08NP-4R7M□	4R7	4.7±20%	194(149)	1000	800
CMD4D08NP-6R8M□	6R8	6.8±20%	276(212)	810	650
CMD4D08NP-100M□	100	10±20%	335(258)	710	570
CMD4D08NP-150M□	150	15±20%	508(391)	580	450
CMD4D08NP-220M□	220	22±20%	766(589)	480	370
CMD4D08NP-330M□	330	33±20%	1162(894)	370	280
CMD4D08NP-470M□	470	47±20%	1658(1326)	320	220
CMD4D08NP-680M□	680	68±20%	2534(2027)	260	180
CMD4D08NP-101M□	101	100±20%	3304(2643)	210	170

※ Description of Part No.

CMD4D08NP-3R3M□

- B Box
- C Carrier Tape

※1.Saturation current: The DC current at which the inductance decreases to 90% of it's initial value.

 ※2.Temperature rise current: The DC current at which the temperature rise is $\Delta t=40^{\circ}\text{C}$.($T_a=20^{\circ}\text{C}$)