

4

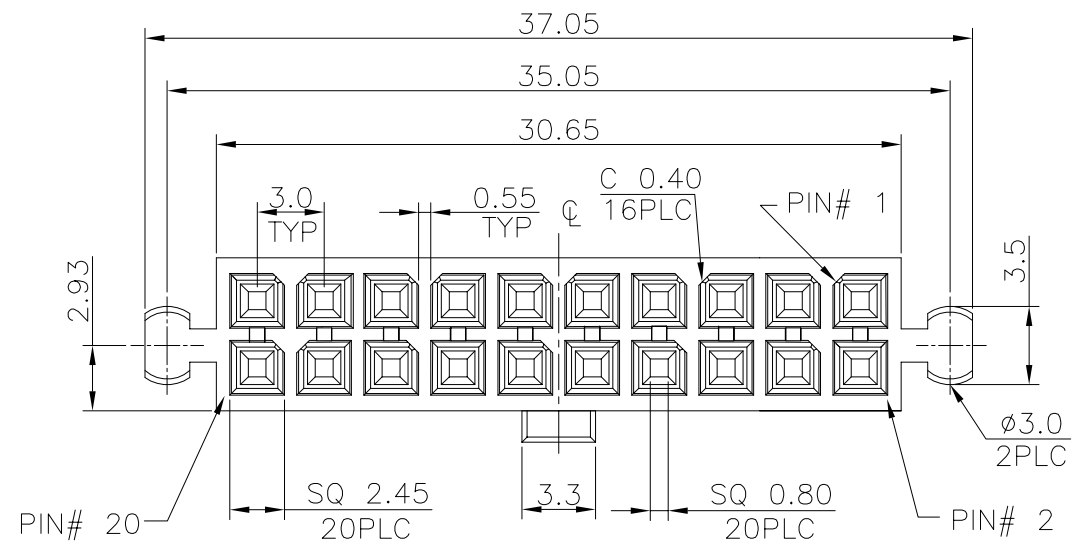
3

2

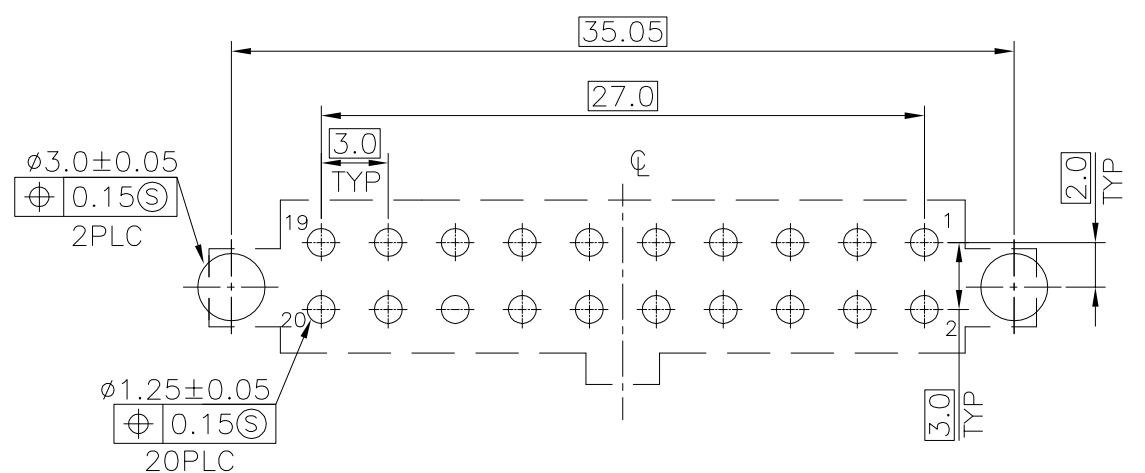
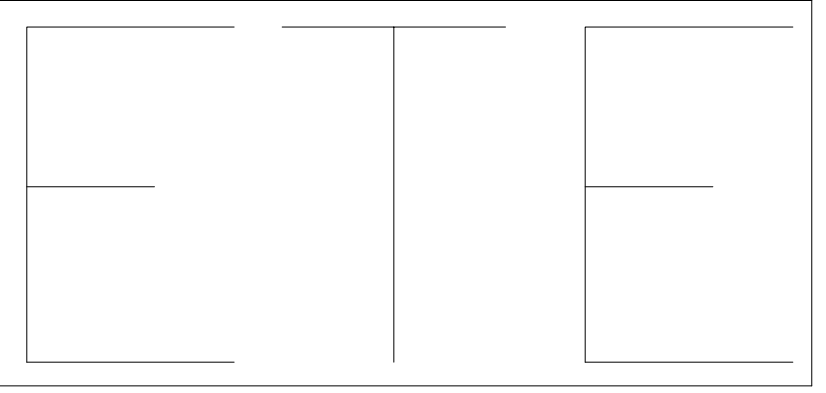
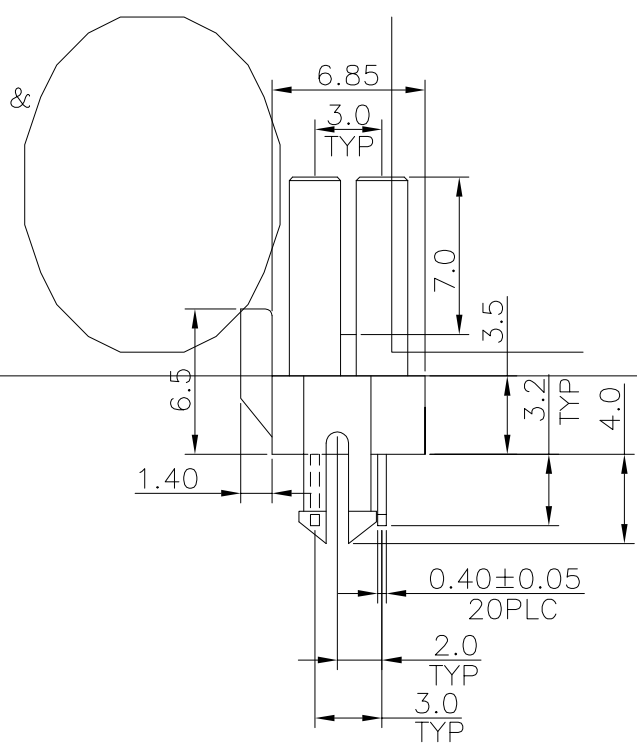
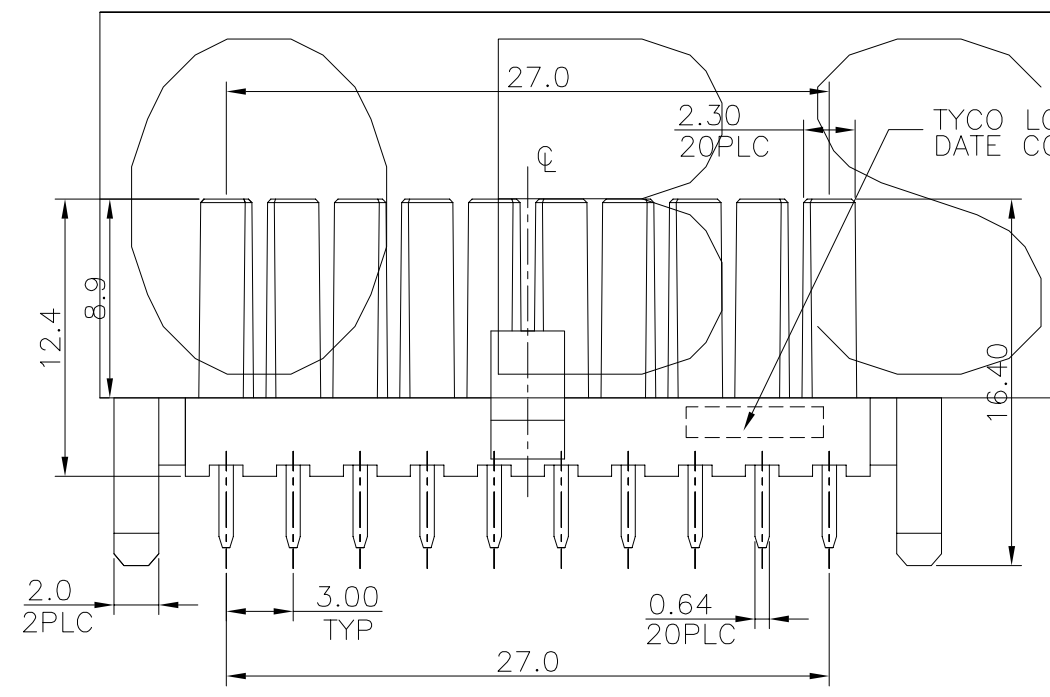
1

THIS DRAWING IS UNPUBLISHED. RELEASED FOR PUBLICATION
 © COPYRIGHT BY TYCO ELECTRONICS CORPORATION. ALL RIGHTS RESERVED.

LOC	DIST	REVISIONS			
P	LTR	DESCRIPTION	DATE	DWN	APVD
DW	-	B	PER ECO-15-013233	22OCT15	DS FY



- NOTES:
- MATERIAL:
HOUSING: PA6T WITH 30% GF, UL 94V-0, COLOR: BLACK.
CONTACT: BRASS.
 - FINISH:
CONTACT: GOLD FLASH PLATED ON CONTACT AREA
2.54um[100u"]MIN. MATTE-TIN PLATED ON SOLDER TAILS
1.27um[50u"]MIN. NICKEL UNDERPLATED ON ENTIRE CONTACT.
 - RECOMMENDED PCB THICKNESS: 1.6mm.
 - WAVE SOLDER CAPABLE TO 265°C AS PER TYCO SPEC 109-202, CONDITION B.



RECOMMENDED P.C.B. LAYOUT
TOLERANCE: ±0.05

1775373-1
PART NUMBER

THIS DRAWING IS A CONTROLLED DOCUMENT.		DWN	J. LEE	19DEC2006	tyco Electronics	Tyco Holdings (Bermuda) VII Ltd. Taiwan Branch	
DIMENSIONS: MM		CHK	S. HOU	19DEC2006		NAME	
TOLERANCES UNLESS OTHERWISE SPECIFIED:		APVD	W.J. KE	19DEC2006	PRODUCT SPEC		
0 PLC ± -		QUALIFICATION TEST REPORT			108-57641		
1 PLC ± 0.3		501-57747			3.0mm BTX POWER, 20 POS, RCPT, VERTICAL, DIP CONNECTOR		
2 PLC ± 0.25		CUSTOMER DRAWING			SIZE	CAGE CODE	DRAWING NO
3 PLC ± -		WEIGHT			A3	00779	C=1775373
4 PLC ± -		3.2 GRAMS			RESTRICTED TO		
ANGLES ± 3'		SCALE			-		
MATERIAL	SEE NOTE	FINISH			SHEET		
SEE NOTE		SEE NOTE			1 of 2		
		REV			B		

4

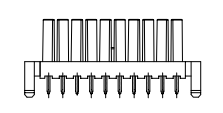
3

2

1

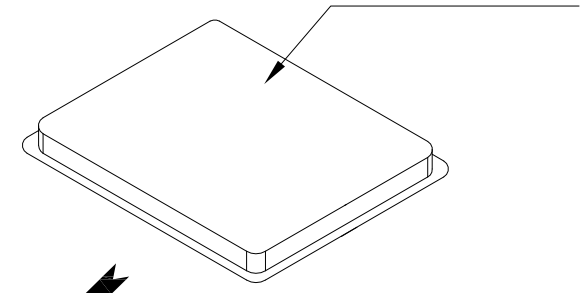
THIS DRAWING IS UNPUBLISHED. RELEASED FOR PUBLICATION
 © COPYRIGHT BY TYCO ELECTRONICS CORPORATION. ALL RIGHTS RESERVED.

LOC	DIST	REVISIONS				
P	LTR	DESCRIPTION	DATE	DWN	APVD	
DW	-	SEE SHEET 1.				

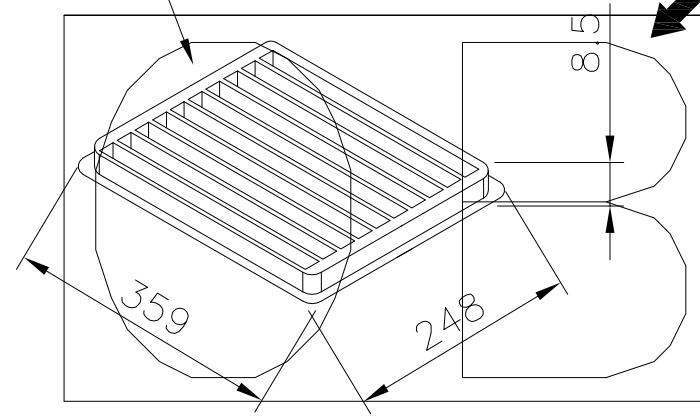


90 PCS

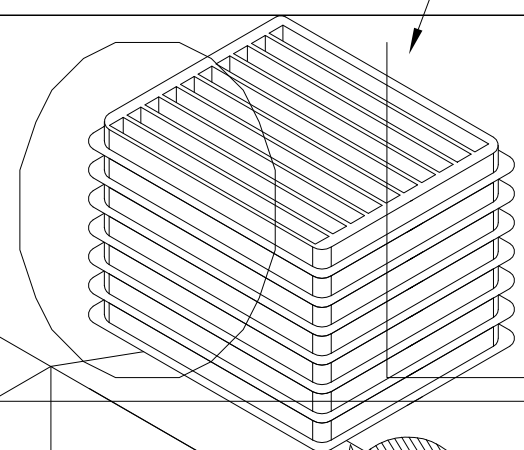
COVER TRAY



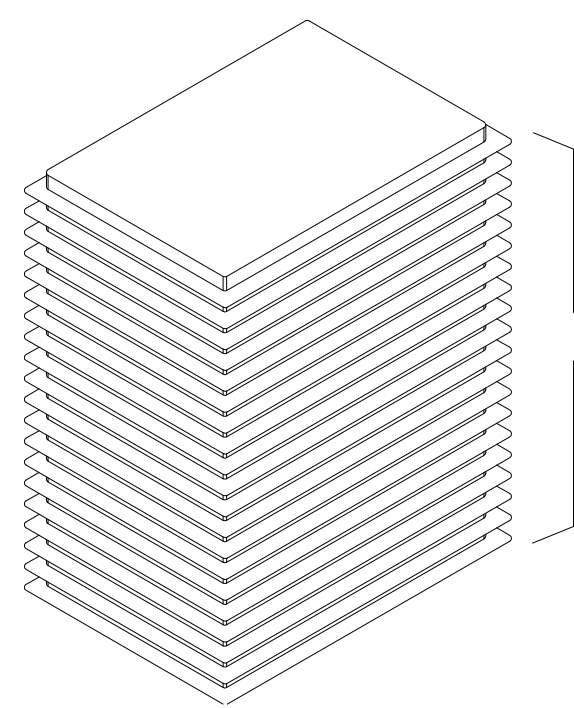
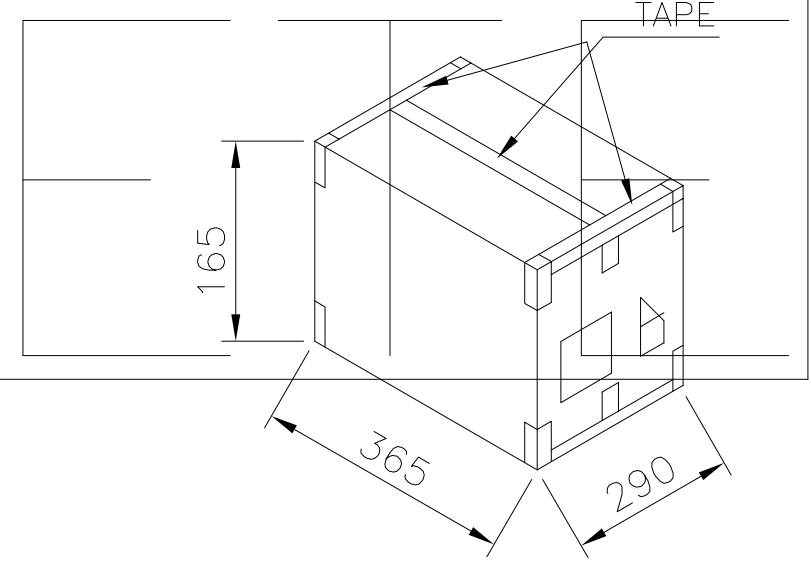
TRAY



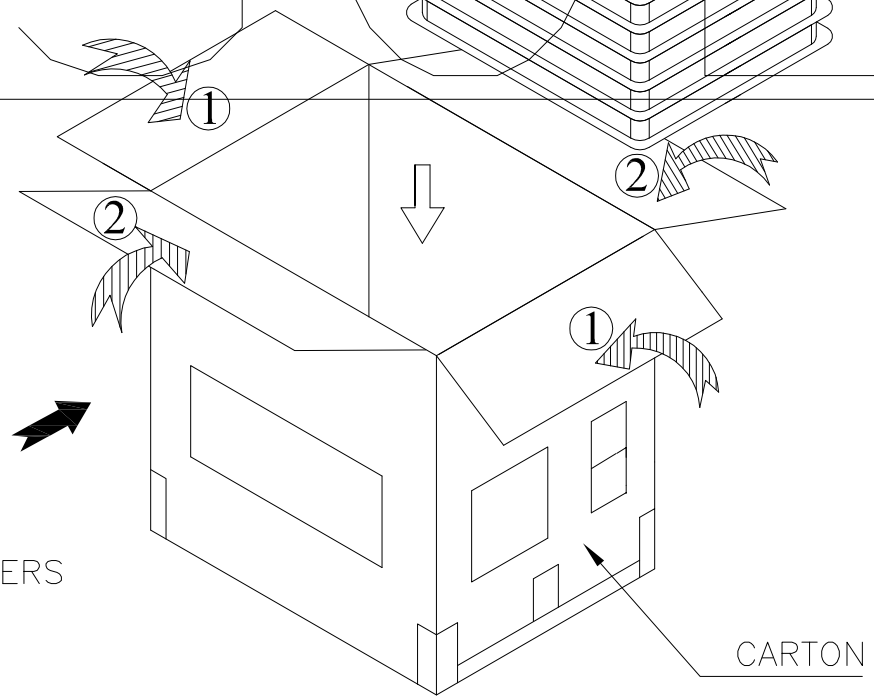
20 LAYERS



TAPE



20 LAYERS



CARTON

7.0 kg	5.6 kg	1800	90	20
GROSS WEIGHT	NET WEIGHT	PCS/CARTON	PCS/TRAY	TRAYS/CARTON

THIS DRAWING IS A CONTROLLED DOCUMENT.		DWN J. LEE	19DEC2006	Tyco Holdings (Bermuda) VII Ltd. Taiwan Branch	
DIMENSIONS: MM		CHK S. HOU	19DEC2006		
		APVD W.J. KE	19DEC2006	NAME	
TOLERANCES UNLESS OTHERWISE SPECIFIED:		PRODUCT SPEC		3.0mm BTX POWER, 20 POS, RCPT, VERTICAL, DIP CONNECTOR	
0 PLC ± -		APPLICATION SPEC		SIZE	
1 PLC ± -		WEIGHT		CAGE CODE	
2 PLC ± -		CUSTOMER DRAWING		DRAWING NO	
3 PLC ± -		SCALE		RESTRICTED TO	
4 PLC ± -		SHEET		REV	
ANGLES ± -		2 OF 2		B	
FINISH		A3 00779		C=1775373	