

ALL DIMENSIONS ARE FOR REFERENCE ONLY
(SEE C-246-XX-X FOR CONTROLLING DOCUMENT)

DO NOT
SCALE FROM
THIS PRINT

DESIGNED & DIMENSIONED
IN MILLIMETERS

CC46X-XXXX-XX-X

SUPPLIED
-L: LOOSE
-R: REEL

PLATING
-T: BRIGHT ACID TIN
-L: 10µ" SELECTIVE GOLD IN CONTACT
AREA, MATTE TIN ON TAIL.

LEAD STYLE
-1416: 14-16 AWG

OPTION
INSULATION THICKNESS
-01: 600V

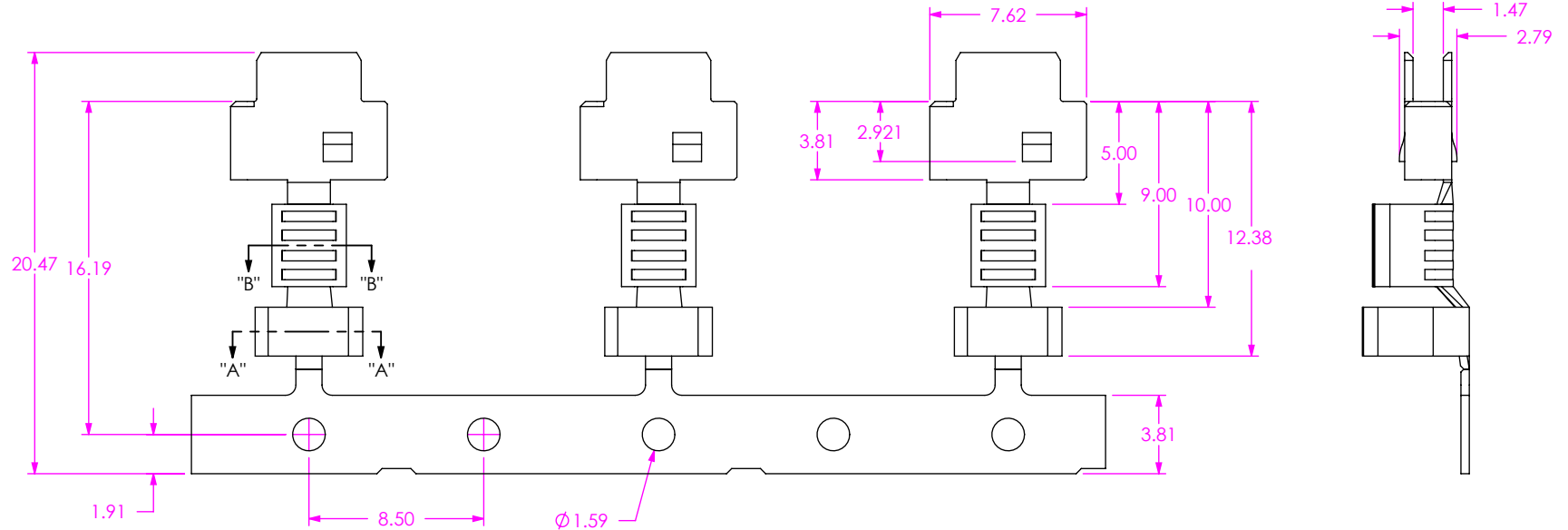
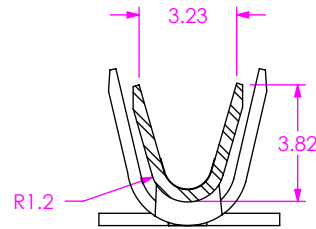
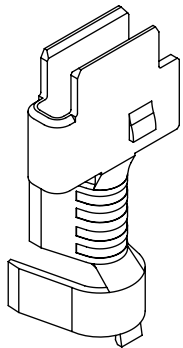
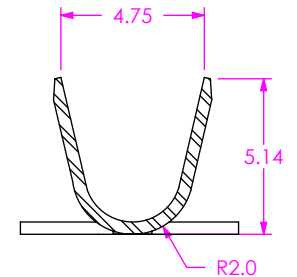


FIG 1
(CC46X-1416-01-X SHOWN)



SECTION "B"-"B"
SCALE 4 : 1



SECTION "A"-"A"
SCALE 4 : 1

- NOTES:
1. PLATED C-246 PARTS TO BE PULLED, PLATING OPTION CONFIRMED, POSITIONED AS SHOWN ON SAMTEC REEL WITH VIEWPORTS, LABELED CC46R WITH APPROPRIATE PLATING CALLOUT AND LABEL PLACED AS SHOWN.
 2. MAXIMUM NO OF SPLICES PER REEL: 2.
 3. SPLICES ARE NOT TO BE CONNECTED.
 4. NUMBER OF SPLICES TO BE MARKED ON EACH REEL.
 5. REELED PARTS TO BE INTERLEAVED WITH PAPER BETWEEN EACH LAYER OF PARTS.
 6. ALLOWABLE INTERLEAF SPLICES PER REEL: 3.
 7. SECURELY CONNECT INTERLEAF SPLICE.
 8. OUTER WRAP SHALL RECEIVE PROTECTIVE REEL BAND PER BELOW: RB-24-1.00-P.
 9. DUE TO PLATING REQUIREMENTS CONTACT SAMPLES MAY BE REMOVED INTERMITTINGLY FROM THE CARRIER RESULTING IN SMALL GAPS BUT DOES NOT AFFECT FINAL COUNT.
 10. QTY PER REEL: 2,000 +100/-0 PCS.
 11. MAXIMUM THREE SECTIONS OF MISSING PINS PER REEL. A SECTION IS DEFINED AS MINIMUM 0.5" OR TWO PINS (WHICHEVER IS GREATER). SECTIONS GREATER THAN 3" WILL REQUIRE A SPLICE.

UNLESS OTHERWISE SPECIFIED,
DIMENSIONS ARE IN MILLIMETERS.
TOLERANCES ARE:
DECIMALS ANGLES

PROPRIETARY NOTE
THIS DOCUMENT CONTAINS CONFIDENTIAL AND PROPRIETARY INFORMATION AND ALL DESIGN, MANUFACTURING, REPRODUCTION, USE, PATENT RIGHTS AND SALES RIGHTS ARE EXPRESSLY RESERVED BY SAMTEC, INC. THIS DOCUMENT SHALL NOT BE DISCLOSED, IN WHOLE OR PART, TO ANY UNAUTHORIZED PERSON OR ENTITY NOR REPRODUCED, TRANSFERRED OR INCORPORATED IN ANY OTHER PROJECT IN ANY MANNER WITHOUT THE EXPRESS WRITTEN CONSENT OF SAMTEC, INC.



520 PARK EAST BLVD, NEW ALBANY, IN 47150
PHONE: 812-944-6733 FAX: 812-948-5047
e-Mail: info@SAMTEC.com code: 55322

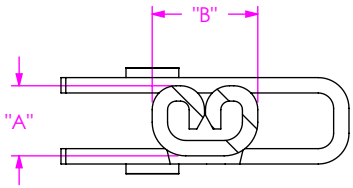
MATERIAL: DO NOT SCALE DRAWING SHEET SCALE: 3:1

COPPER ALLOY
THICKNESS: 0.406

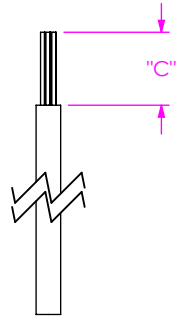
DESCRIPTION:
MINI POWER DISCRETE CABLE

DWG. NO.
CC46X-XXXX-XX-X

BY: B RAY 05/27/2008 SHEET 1 OF 2



WIRE CRIMP
SCALE 5 : 1



INSULATION STRIP LENGTH

TABLE 1

P/N	AWG	STRANDS / AWG	INSULATION OD	"A"	"B"	"C"	PULL FORCE (LBS)
CC46X-1416-01-X	16	26/30	3.0480 - 3.5814	1.727	2.641	5.00	30
	14	41/30		1.905	2.641	5.00	50

FIG 2
RECOMENDED PROCESSING

UNWINDING DIRECTION

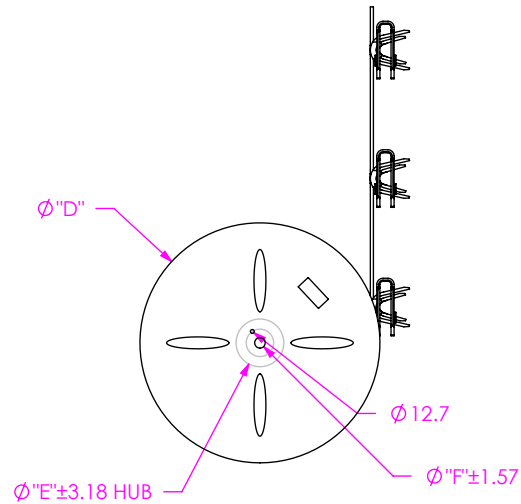
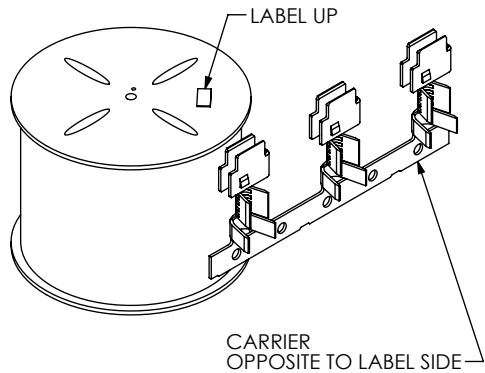


FIG 3
REEL SPECIFICATIONS

TABLE 2

SUPPLIED	REEL PART NUMBER	"D"	"E"	"F"
-R	R-24-08.00-1.00-P	609.6	203.20	28.58

PROPRIETARY NOTE
 THIS DOCUMENT CONTAINS CONFIDENTIAL AND PROPRIETARY INFORMATION AND ALL DESIGN, MANUFACTURING, REPRODUCTION, USE, PATENT RIGHTS AND SALES RIGHTS ARE EXPRESSLY RESERVED BY SAMTEC, INC. THIS DOCUMENT SHALL NOT BE DISCLOSED, IN WHOLE OR PART, TO ANY UNAUTHORIZED PERSON OR ENTITY NOR REPRODUCED, TRANSFERRED OR INCORPORATED IN ANY OTHER PROJECT IN ANY MANNER WITHOUT THE EXPRESS WRITTEN CONSENT OF SAMTEC, INC.

DO NOT SCALE DRAWING

SHEET SCALE: 2:1



520 PARK EAST BLVD, NEW ALBANY, IN 47150
 PHONE: 812-944-6733 FAX: 812-948-5047
 e-Mail: info@SAMTEC.com code: 55322

DESCRIPTION: MINI POWER DISCRETE CABLE

DWG. NO. CC46X-XXXX-XX-X

BY: B RAY 05/27/2008 SHEET 2 OF 2