

THIS DRAWING IS UNPUBLISHED.

RELEASED FOR PUBLICATION

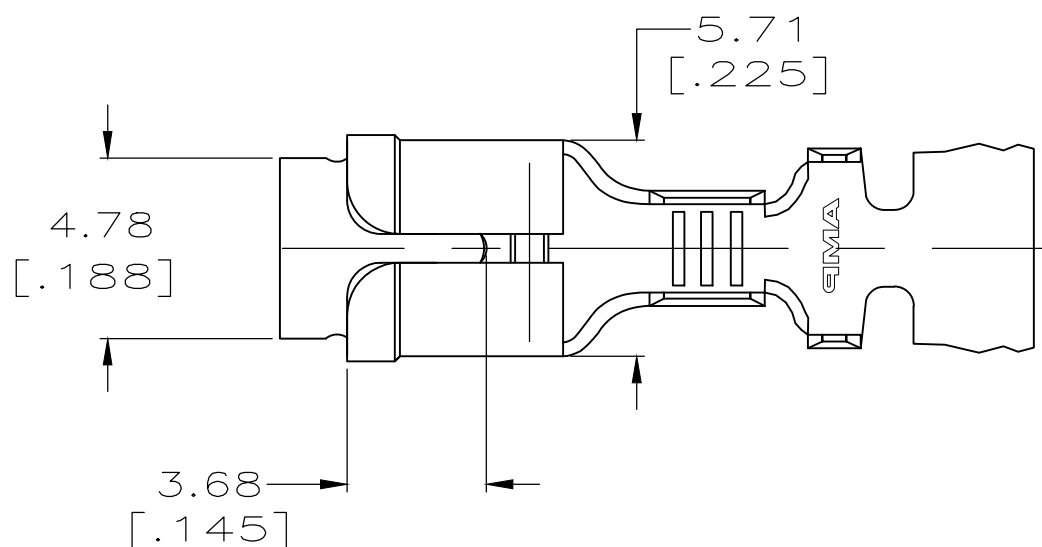
ALL RIGHTS RESERVED.

© COPYRIGHT - By -

LOC AF DIST 50

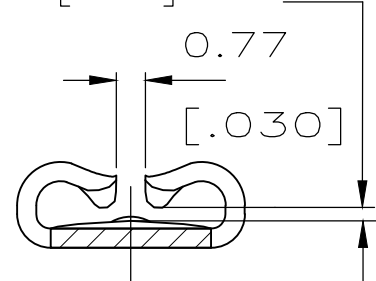
REVISIONS

P	LTR	DESCRIPTION	DATE	DWN	APVD
	C1	REVISED PER ECR-20-009164	23JUL2020	MK	DH

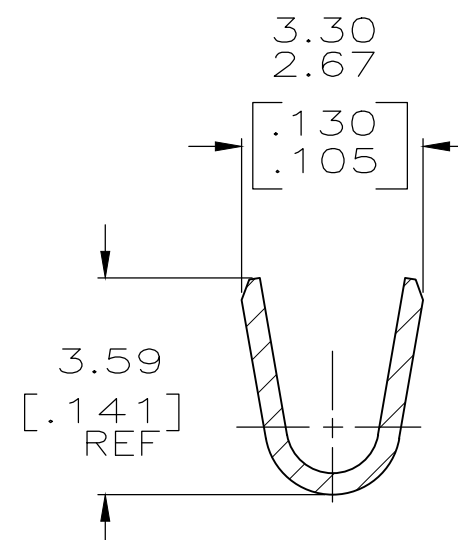
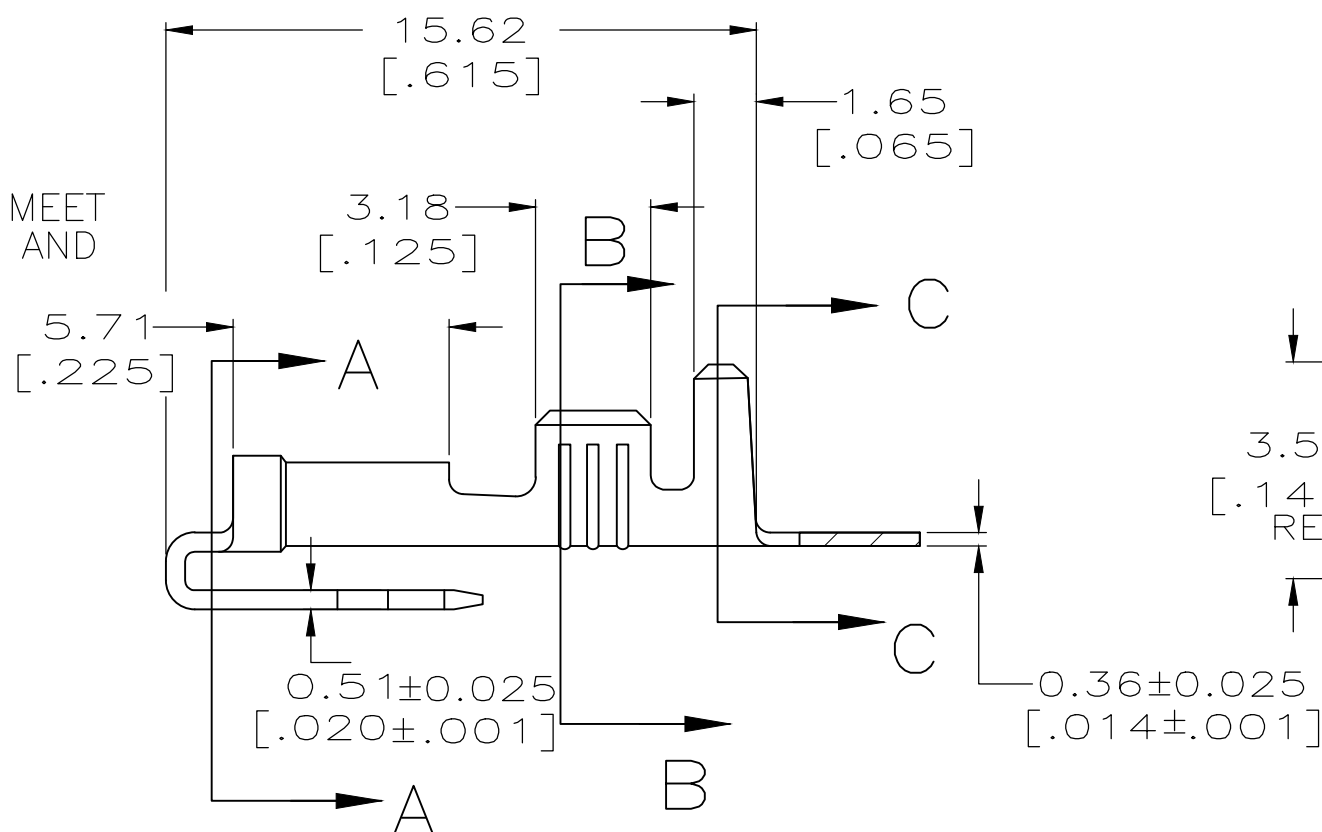


- 1 CONTINUOUS STRIP ON REELS.
- 2 WIRE SIZE IS [#18-#14] AWG.
- 3 INSULATION RANGE IS 2.79-4.06 [.110-.160] DIA.
- 4 MATING TAB THK IS 0.53-0.48 [.021-.019].

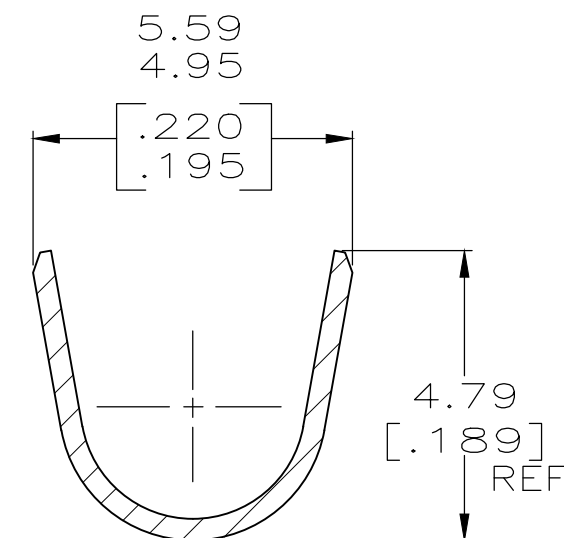
GAP AS REQUIRED TO MEET FORCE SPECIFICATIONS AND 0.45 [.018]MAX



SECTION A-A



SECTION B-B SCALE 8:1



SECTION C-C SCALE 8:1

1217151-1 PART NO.

THIS DRAWING IS A CONTROLLED DOCUMENT.		DWN JR RUTH 6MAY99	<b>STE</b> TE Connectivity			
DIMENSIONS: mm [INCHES]		CHK MS FEHER 6MAY99				
TOLERANCES UNLESS OTHERWISE SPECIFIED:		APVD S HEADER 6MAY99	NAME			
0 PLC ± -		PRODUCT SPEC	RECEPTACLE, PIGGYBACK, FASTON, 4.75 [.187] SERIES			
1 PLC ± -		APPLICATION SPEC	SIZE	CAGE CODE	DRAWING NO	RESTRICTED TO
2 PLC ± 0.25 [.010]		WEIGHT	A3	00779	C-1217151	-
3 PLC ± -		CUSTOMER DRAWING	SCALE	SHEET	REV	
4 PLC ± -			5:1	1 OF 1	C1	
ANGLES ± -						
MATERIAL BRASS		FINISH TIN				