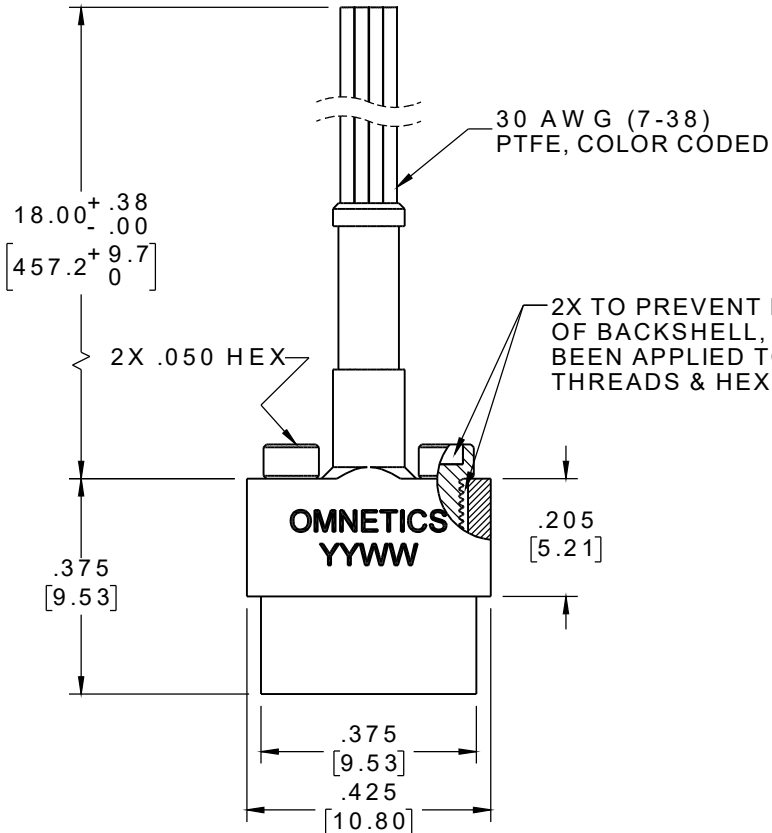
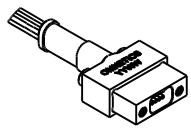


|          |             |     |        |            |     |
|----------|-------------|-----|--------|------------|-----|
| PART NO. | A 29111-009 | REV | ECO    | DATE       | APP |
|          |             | B   | 106954 | 01-06-2021 | ARJ |

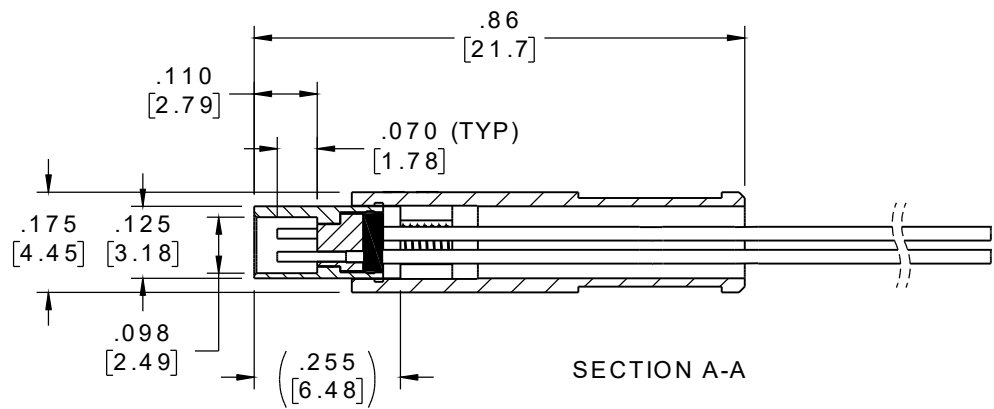
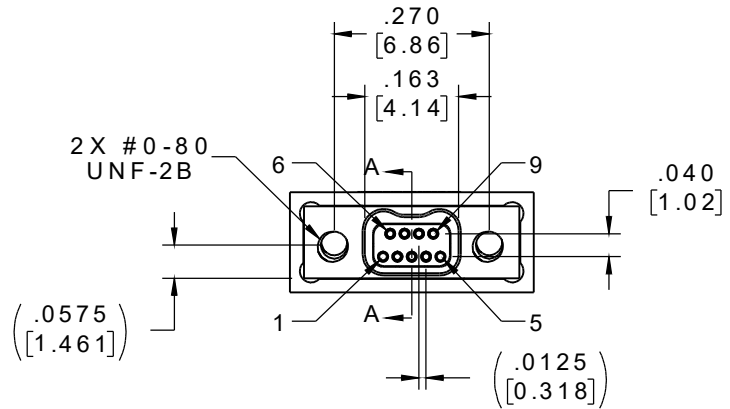


| SOCKET # | COLOR  |
|----------|--------|
| 1        | BLACK  |
| 2        | BROWN  |
| 3        | RED    |
| 4        | ORANGE |
| 5        | YELLOW |
| 6        | GREEN  |
| 7        | BLUE   |
| 8        | VIOLET |
| 9        | GRAY   |



ACTUAL SIZE  
EXCLUDING WIRE LENGTH

INTERNAL USE ONLY  
USE MFG LOADING  
PROCEDURE A29000-009



NOTE:  
DIMENSIONS IN [ ] ARE IN  
MILLIMETERS UNLESS  
OTHERWISE NOTED AND ARE  
FOR REFERENCE ONLY

|                  |  |  |               |  |                    |              |
|------------------|--|--|---------------|--|--------------------|--------------|
| MNSW<br>S/DW     | THIRD ANGLE  | THIS DRAWING CONTAINS CONFIDENTIAL AND PROPRIETARY INFORMATION WHICH IS THE PROPERTY OF OMNETICS CONNECTOR CORP. THIS DOCUMENT MAY NOT, IN WHOLE OR IN PART, BE DUPLICATED, OR DISCLOSED FOR ANY PURPOSE, WITHOUT WRITTEN PERMISSION FROM OMNETICS CONNECTOR CORP. |               | <b>OMNETICS</b>  | CAGE CODE 61873    |              |
|                  | -TOLERANCES-<br>UNLESS OTHERWISE NOTED<br>DIMENSIONS IN INCHES | DFTM. HV   | DATE 03-05-18 |  | DWG NO. A29111-009 |              |
|                  | 2 PL DEC ± .01   | CHK'D.   | DATE          | CONNECTOR CORPORATION  |                    | SHEET 1 OF 2 |
|                  | 3 PL DEC ± .005  | APP'D.   | DATE          | 7260 COMMERCE CIRCLE EAST<br>MINNEAPOLIS, MN 55432<br>WWW.OMNETICS.COM |                    |              |
| 4 PL DEC ± .0005 | TITLE: (09) SOCKET FEMALE<br>Bi-Lobe® CONNECTOR<br>W/BACKSHELL |  | SCALE: 3:1    |  |                    |              |
| ANGLES ± 1°      |  |  |               |  |                    |              |