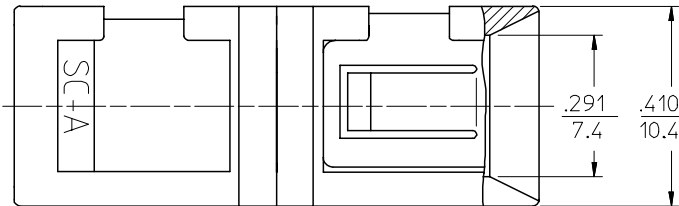
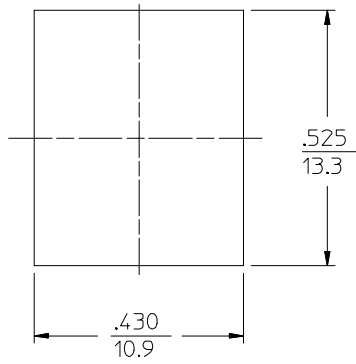
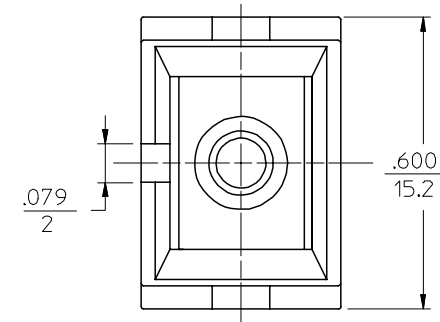
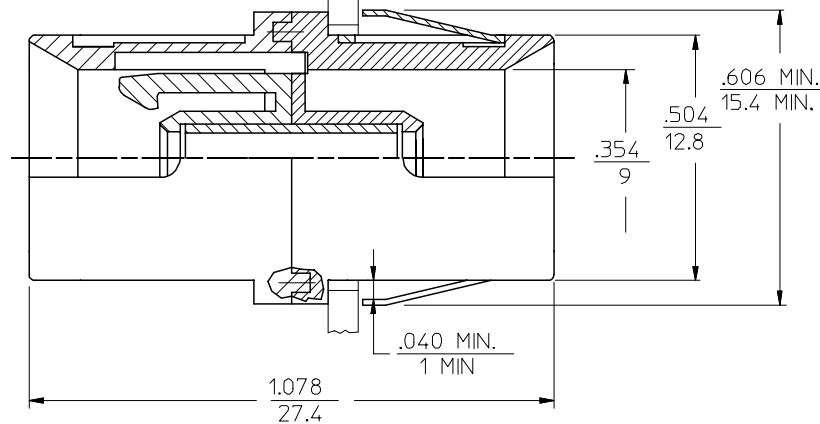


P/N OF ADAPTER	MATERIAL OF SPLIT SLEEVE	COLOR OF ADAPTER SHELL
86170-0000	ZR	BLACK
86171-0000	PHOSPHOR BRONZE	GREEN
86170-0020	ZR	
86171-0020	PHOSPHOR BRONZE	RED
86170-0030	ZR	
86171-0030	PHOSPHOR BRONZE	BLUE
86170-0050	ZR	



.077
2

PANEL PLATE
THICKNESS: .063 (1.6 mm)



RECOMMENDED
MOUNTING HOLE

NOTE:
DUST CAPS ARE NOT SHOWN.

ENTER DESCRIPTION EC NO: MF2006-0722 DRWN:KPEVZNER CHKD: APPR:IGUMIN	QUALITY SYMBOLS ▽=0 ▽=0	GENERAL TOLERANCES (UNLESS SPECIFIED)		DIMENSION STYLE	SCALE	DESIGN UNITS	THIRD ANGLE PROJECTION	
		mm	INCH	IN/MM	4:1	INCH		
		4 PLACES ± ---	± ---	DRAWN BY	DATE	TITLE		
		3 PLACES ± ---	± ---	KPEVZNER	2006/05/03	BSC BACK PANEL ADAPTER		
2 PLACES ± ---	± ---	CHECKED BY	DATE	APPROVED BY				
1 PLACE ± ---	± ---	IGUMIN	2006/05/03	DATE		MOLEX INCORPORATED		
ANGULAR ±1/2°		MATERIAL NO.		DOCUMENT NO.		SHEET NO.		
DRAFT WHERE APPLICABLE MUST REMAIN WITHIN DIMENSIONS		SEE TABLE		SD-106170-0YYY0		1 OF 1		
		SIZE		THIS DRAWING CONTAINS INFORMATION THAT IS PROPRIETARY TO MOLEX INCORPORATED AND SHOULD NOT BE USED WITHOUT WRITTEN PERMISSION				
REV		A						