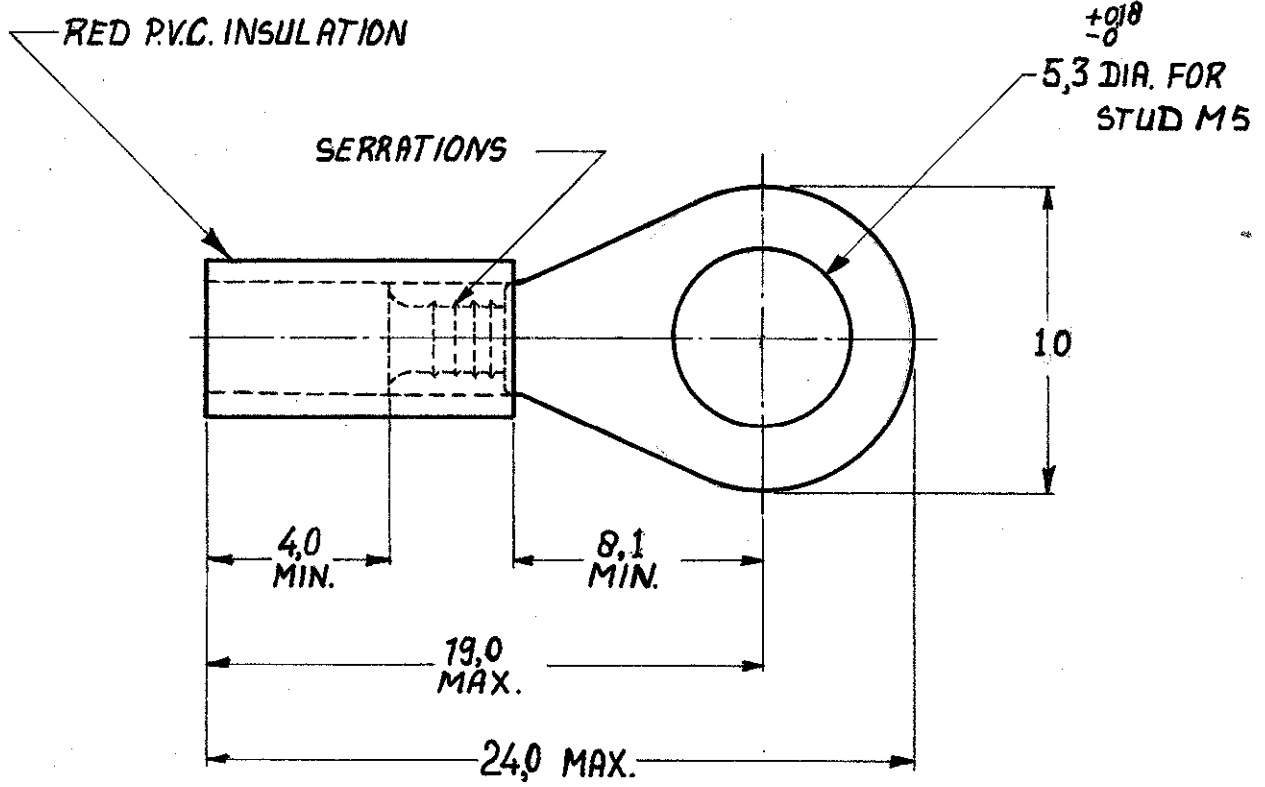


NUMBER C-165405-E



TONGUE MATERIAL THICKNESS : 0,8

CUSTOMER COPY FOR REFERENCE ONLY

©1970 BY AMP-HOLLAND N.V. ALL RIGHTS RESERVED A-MP PRODUCTS COVERED BY PATENTS AND/OR PATENTS PENDING.



AMP-HOLLAND N.V.
's-HERTOGENBOSCH
HOLLAND

2-165405-1	165405 TAPE MOUNTED	
165405	COPPER	TIN
ORDER NO.	MATERIAL	PLATING

WIRE-RANGE	INSUL.-RANGE	TYPE	DIN
05-1mm ²	3.1 DIA.MAX.	PLASTI-GRIP	
SCALE	LOC	SIZE	NO
4:1	H	A	C-165405-E

REV E

DR	DATE	DE	DATE
<i>G. Linder</i>	30/10-70		
CHK	DATE	APP	DATE
		<i>[Signature]</i>	16/11-1970

NAME INSULATED RINGTONGUE forstud M5

REV C 30-8-85 DIMENSIONS IN M.M. DO NOT SCALE PRINT