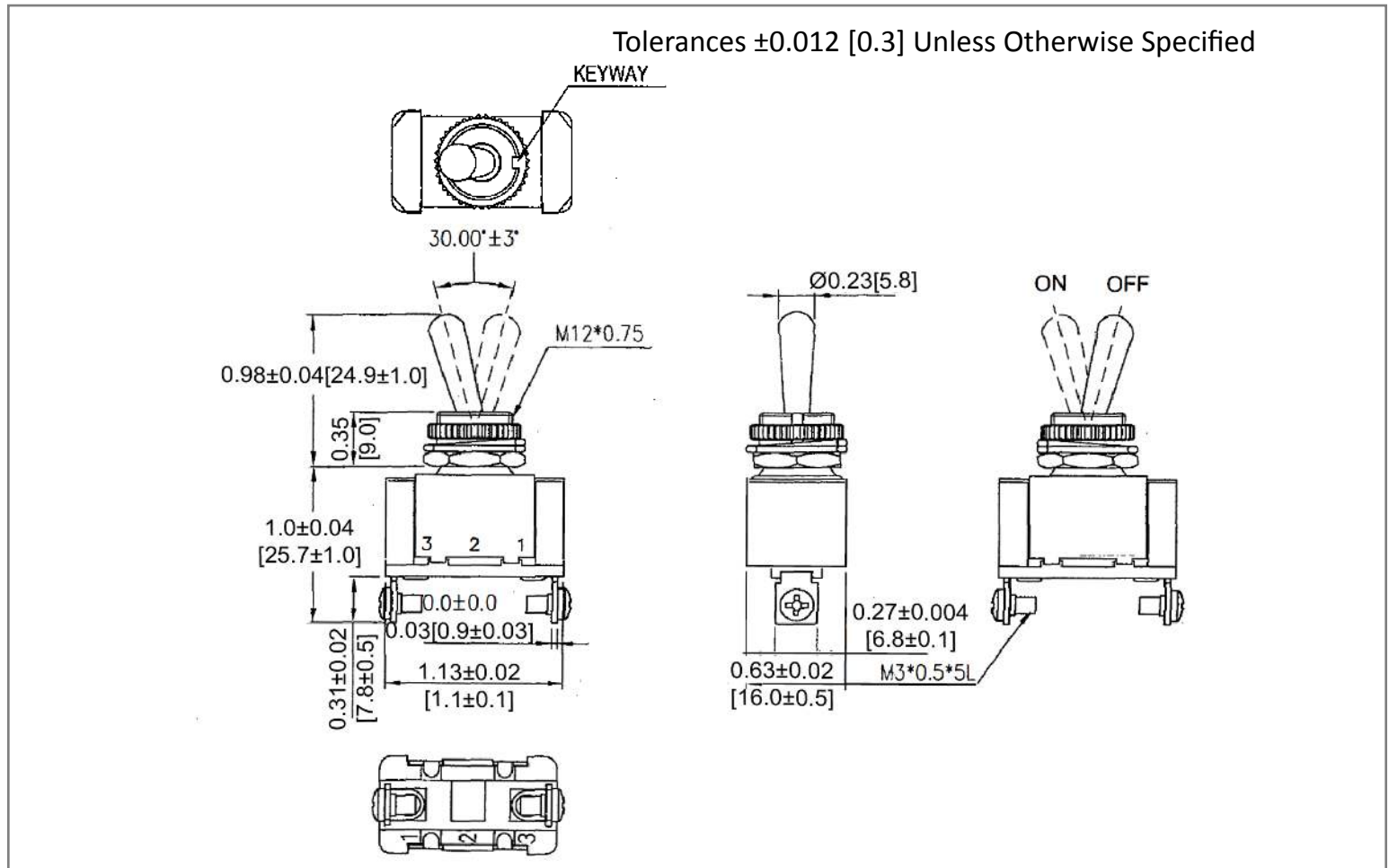
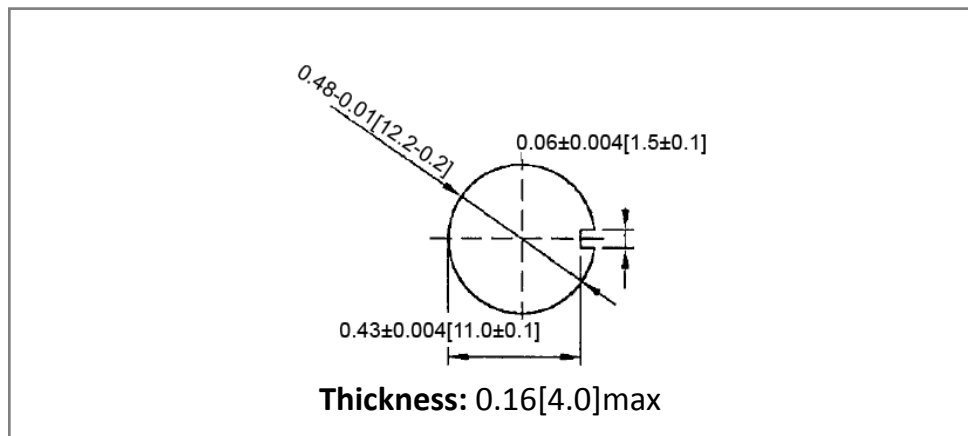


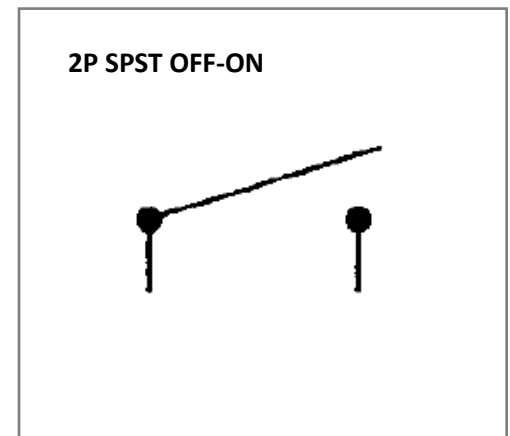
Mechanical Dimensions: Inches [mm]



Mounting Hole



Circuit Diagram



Electrical Specifications

| | |
|-----------------------|------------------------|
| Rating | 20A 12V DC, 10A 24V DC |
| Contact Resistance | 50m ohm Max |
| Insulation Resistance | DC 500V 100M ohm Min |
| Dielectric Strength | AC 1500V 1 minute |
| Operation Temperature | 0°C ~ 65°C |

Material Specifications

| |
|------------------|
| 1 Hex Nut Assy |
| 1 Spring Washer |
| 1 Knurl Nut Assy |

Rev Date of issue Revision Notes

Designed Approved

| | | | | |
|---|------------|-----------------|----|----|
| B | 03-04-2020 | Initial Drawing | RC | OF |
|---|------------|-----------------|----|----|