

**CARDINAL COMPONENTS**

**Telecom OC48 VCXO**

- 622.08 MHz Osc
- LVDS Output

**Applications**

- SDH / SONET
- Digital Switching
- Test Equipment
- Cellular Telephony
- Land Mobile Radio

Series

CVFSV



**Part Numbering Example: CVFSV Z**

Specifications:	Min	Typ	Max	Unit
Frequency Range:		622.08		MHz
Available Stability Options:	-30		30	ppm
Supply Voltage:	3.135	3.3	3.465	V
Operating Temperature Range Options:	-10		85	°C
Storage Temperature:	-55		125	°C
Duty Cycle:	45		55	%
Start-Up Time:		3	10	mS
Aging (PPM/1st Year): Ta=25C, Vdd=3.3V			±5	
Static Discharge Voltage Mil-Std 883, method 3015	2000			V
Supply Current			80	mA
Short Circuit Current		± 50		mA
Jitter (RMS) Integrated (12KHz - 20MHz) Period		3 10	4	pS pS
Phase Noise @10KHz Offset		-118		dBc/Hz
Vcon Modulation BW	25	0V ≤ Vcon ≤ 3.3V -3dB		KHz
Pull Range	-190		190	ppm
Linearity	5		10	%
Frequency Tuning Range		115		ppm/V

Output Level: LVDS

Packaging: Tape & Reel

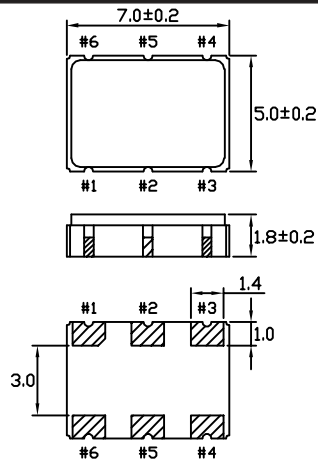
Notes: Extended exposure exceeding maximum ratings may cause permanent damage and affect reliability. Operation outside of specifications is not supported.

**Cardinal Components, Inc., 155 Rt. 46 W, Wayne, NJ. 07470 TEL: (973)785-1333 FAX: (973)785-0053**  
<http://www.cardinalxtal.com> E-Mail: [cardinal@cardinalxtal.com](mailto:cardinal@cardinalxtal.com)

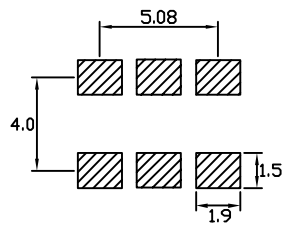
Specifications subject to change without notice. Check website for latest updates



**LVDS**

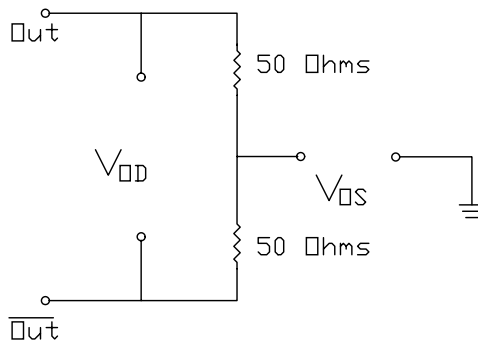


PIN FUNCTION  
 1 V<sub>CONTROL</sub>  
 2 OE  
 3 GND  
 4 LVDS +  
 5 LVDS -  
 6 V<sub>DD</sub>  
 DIMENSIONS ARE IN MM



**LEVELS TEST CIRCUIT**

LVDS Levels Test Circuit



**SWITCHING TEST CIRCUIT**

LVDS Switching Test Circuit

