

Digital Output, Low Power, Red, Green, and Blue Color Light Sensor

ISL29120

The ISL29120 is a low power, high sensitivity, integrated red, green, and blue light sensor with an I²C (SMBus Compatible) interface. Its state-of-the-art photodiode array provides an accurate red, green and blue spectral response. The ADC is capable of rejecting 50Hz and 60Hz flicker caused by artificial light sources. A selectable range allows the user to optimize sensitivity suitable for the specific application.

ISL29120 is optimized for sensing red, green and blue light components in a non-infrared environment (fluorescent and LED lighting). When operating in infrared rich environments, an external IR blocking filter should be used for accurate measurements.

In normal continuous operation, the ISL29120 power consumption is 70µA, which reduces to 0.3µA in power down mode. In polling mode, the auto-power-down function shuts down most of the device after each ADC conversion.

The ISL29120 supports both hardware and software interrupts. The interrupt thresholds are user programmable. The Interrupt persistency feature reduces false trigger notification.

Designed to operate on supplies from 2.25V to 3.3V and I²C supply from 1.7V to 3.6V, the ISL29120 is specified for operation over the -40°C to +85°C ambient temperature range.

Features

- 70µA Operating Current, 0.3µA Shutdown Current
- I²C (SMBus Compatible) Output
- Programmable 4, 8, 12 or 16-bits ADC Resolution
- Programmable Interrupt Windows
- Two Optical Sensitivity Ranges
- 2.25 to 3.63V Operating Power Supply
- 1.7V to 3.6V Supply for I²C Interface
- 2.0mmx2.1mmx0.7mm 6 Ld ODFN Package

Applications

- Smart Phone, PDA, GPS, Tablet PCs, LCD-TVs, Digital Picture Frames, Digital Cameras
- Dynamic Display Color Balancing
- Printer Color Enhancement
- Industrial/Commercial LED Lighting Color Management
- Ambient Light Color Detection/Correction
- OLED Display Aging Compensation

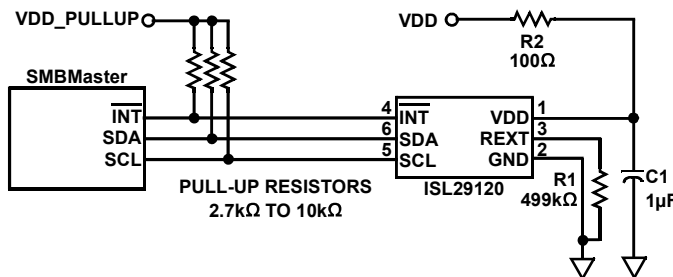


FIGURE 1. TYPICAL APPLICATION

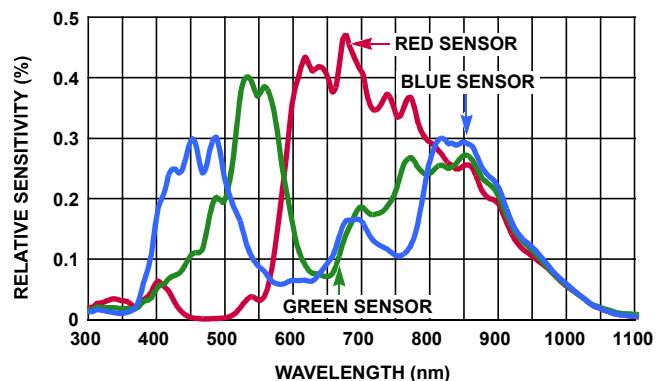


FIGURE 2. RELATIVE SPECTRAL SENSITIVITY FOR RED, GREEN AND BLUE SENSE MODES

ISL29120

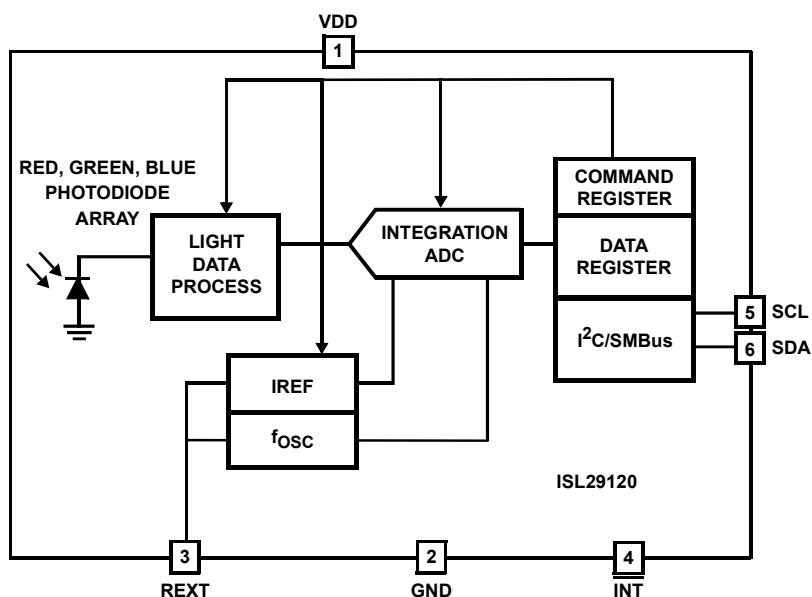
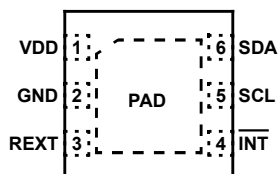


FIGURE 3. BLOCK DIAGRAM

Pin Configuration

ISL29120
(6 LD ODFN)
TOP VIEW



*EXPOSED PAD (0) CAN BE CONNECTED TO GND OR ELECTRICALLY ISOLATED

Ordering Information

PART NUMBER (Notes 1, 2, 3)	TEMP. RANGE (°C)	PACKAGE Tape and Reel (Pb-Free)	PKG. DWG. #
ISL29120IROZ-T7	-40 to +85	6 Ld ODFN	L6.2x2.1
ISL29120IROZ-EVALZ	Evaluation Board		

NOTES:

- Please refer to [TB347](#) for details on reel specifications.
- These Intersil Pb-free plastic packaged products employ special Pb-free material sets; molding compounds/die attach materials and NiPdAu plate - e4 termination finish, which is RoHS compliant and compatible with both SnPb and Pb-free soldering operations. Intersil Pb-free products are MSL classified at Pb-free peak reflow temperatures that meet or exceed the Pb-free requirements of IPC/JEDEC J STD-020.
- For Moisture Sensitivity Level (MSL), please see device information page for [ISL29120](#). For more information on MSL please see tech brief [TB477](#).

Pin Descriptions

PIN NUMBER	PIN NAME	DESCRIPTION	
0	PAD	Exposed thermal pad, connected to ground.	
1	VDD	Positive power supply, 2.25V to 3.63V.	
2	GND	Ground pin.	
3	REXT	Connect to ground through a 499kΩ resistor.	
4	$\overline{\text{INT}}$	Interrupt Output, Open Drain	
5	SCL	I ² C serial clock Input	SCL and SDA are Open Drain. Pull-up to 1.7V min to 3.63V max power supply.
6	SDA	I ² C serial data Input/Output	

ISL29120

Absolute Maximum Ratings (T_A = +25 °C)

V _{DD} , Supply Voltage between V _{DD} and GND	4.0V
I ² C Bus (SCL, SDA) Pin Voltage	-0.2V to 4.0V
I ² C Bus (SCL, SDA) Pin Current	<10mA
REXT Pin Voltage	-0.2V to V _{DD} +0.5V
ESD Rating	
Human Body Model	2kV

Thermal Information

Thermal Resistance (Typical)	θ _{JA} (°C/W)
6 Ld ODFN Package (Note 4)	62
Maximum Die Temperature	+90 °C
Storage Temperature	-40 °C to +100 °C
Operating Temperature	-40 °C to +85 °C
Pb-Free Reflow Profile	see link below
	http://www.intersil.com/pbfree/Pb-FreeReflow.asp

CAUTION: Do not operate at or near the maximum ratings listed for extended periods of time. Exposure to such conditions may adversely impact product reliability and result in failures not covered by warranty.

- θ_{JA} is measured in free air with the component mounted on a high effective thermal conductivity test board with “direct attach” features. See Tech Brief [TB379](#).

IMPORTANT NOTE: All parameters having Min/Max specifications are guaranteed. Typical values are for information purposes only. Unless otherwise noted, all tests are at the specified temperature and are pulsed tests, therefore: T_J = T_C = T_A

Electrical Specifications V_{DD} = 3V, T_A = +25 °C, R_{EXT} = 499kΩ 1% tolerance, 16-bit ADC operation, unless otherwise specified.

PARAMETER	DESCRIPTION	CONDITION	MIN (Note 5)	TYP	MAX (Note 5)	UNIT
V _{DD}	Power Supply Range		2.25		3.63	V
I _{DD}	Supply Current			70	85	μA
I _{DD1}	Supply Current when Powered Down	Software disabled or auto power-down		0.01	0.3	μA
V _{I2C}	Supply Voltage Range for I ² C Interface		1.7		3.63	V
t _{int}	ADC Conversion Time	16-bit ADC data		90		ms
F _{I2C}	I ² C Clock Rate Range				400	kHz
DATA_0	Dark Count	Range Setting = 0; ADC Resolution 16 Bits		1	5	Counts
DATA_FS	Full Scale ADC Code	ADC Resolution 16 Bits			65535	Counts
DATA_Red	Red Count	Range = 0; λ = 640nm; Irradiance 155 μW/cm ²	15000	20000	25000	Counts
		Range = 1; λ = 640nm; Irradiance 155 μW/cm ²		4350		Counts
DATA_Green	Green Count	Range = 0; λ = 530nm; Irradiance 212 μW/cm ²	15000	20000	25000	Counts
		Range = 1; λ = 530nm; Irradiance 212 μW/cm ²		4350		Counts
DATA_Blue	Blue Count	Range = 0; λ = 470nm; Irradiance 215 μW/cm ²	15000	20000	25000	Counts
		Range = 1; λ = 470nm; Irradiance 215 μW/cm ²		4350		Counts
V _{REF}	Voltage at R _{EXT} Pin			0.52		V
V _{IL}	SCL and SDA Input Low Voltage				0.55	V
V _{IH}	SCL and SDA Input High Voltage		1.25			V
I _{SDA}	SDA Current Sinking Capability		4	5		mA

NOTES:

- Compliance to datasheet limits is assured by one or more methods: production test, characterization and/or design.
- 640nm Red, 530nm Green and 470 nm Blue LEDs are used to generate a nominal count of 20000 for the Red, Green and Blue data output to characterize part to part variation in production test.

Principles of Operation

Photodiodes and ADC

The ISL29120 contains three photodiode arrays, which convert light into current. The spectral response for red, green and blue color ambient intensity sensing is as shown in Figure 2. After light is converted to current during the light to signal process, the current output is converted to a digital count by an on-chip Analog-to-Digital Converter (ADC). The ADC converter resolution is selectable from 4, 8, 12 or 16 bits. The ADC conversion time is inversely proportional to the ADC resolution.

The ADC converter uses an integrating architecture. This conversion method is ideal for converting small signals in the presence of a periodic noise. A 100ms integration time (16-bit mode) for instance, rejects 50Hz and 60Hz power line as well as fluorescent flicker noise.

The ADC integration time is determined by an internal oscillator and the n-bit (n = 4, 8, 12, 16) counter inside the ADC. A good balancing act of integration time and resolution depends on the application for optimum system performance.

The ADC provides two programmable ranges to dynamically accommodate different lighting conditions. For dim conditions, the ADC can be configured at its high sensitivity (low optical) range. For bright conditions, the ADC can be configured at its low sensitivity (higher optical) range.

Note that the effective optical sensitivity of the ISL29120 in terms of counts/ $\mu\text{W}/\text{cm}^2$ is directly proportional to the ADC integration time.

I²C Interface

There are eight 8-bit registers inside the ISL29120 for configuration, control and status indication. The two command registers at address 0x00 and 0x01 define the operation of the device and provide status of the interrupt events. Two 8-bit read only registers at address 0x02 and 0x03 are for the ADC output. These registers contain the results of the latest A/D conversion.

Registers 0x04 and 0x05 contain the 'low threshold' value and registers 0x06 and 0x07 store the 'high threshold' value for interrupt generation.

The ISL29120's I²C interface slave address is internally hard-wired as 1000110x, where x is R (read) or \bar{W} (write) bit.

Figure 4 shows a sample one-byte read. Figure 5 shows a sample one-byte write. The I²C bus master always drives the SCL (clock) line, while either the master or the slave can drive the SDA (data) line. Figure 5 shows a sample write. Every I²C transaction begins with the master asserting a start condition (SDA falling while SCL remains high). The following byte is driven by the master, and includes the slave address and read/write bit. The receiving device is responsible for pulling SDA low during the acknowledgement period. Every I²C transaction ends with the master asserting a stop condition (SDA rising while SCL remains high).

For more information about the I²C standard, consult the Philips™ I²C specification documents.

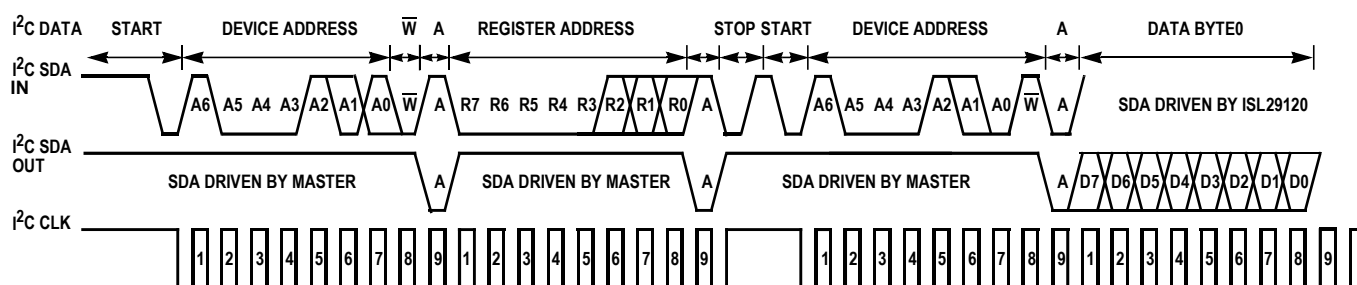


FIGURE 4. I²C READ TIMING DIAGRAM SAMPLE

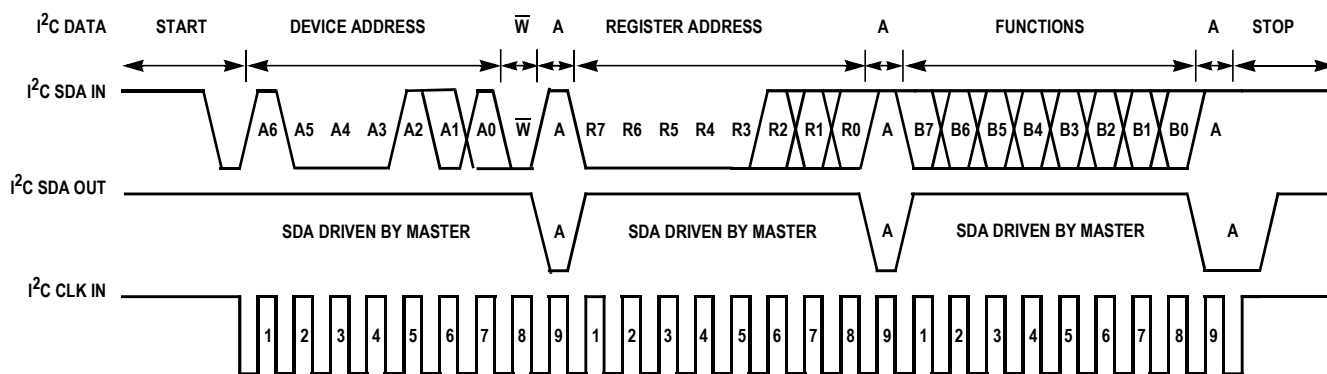


FIGURE 5. I²C WRITE TIMING DIAGRAM SAMPLE

Register Set

There are eight registers that are available in the ISL29120. Table 1 summarizes their functions.

TABLE 1. REGISTER SET

ADDR	REG NAME	BIT								DEFAULT
		7	6	5	4	3	2	1	0	
00h	COMMANDI	OP2	OP1	OP0	0	0	IFLG	PRST1	PRST0	00h
01h	COMMANDII	0	0	0	0	RES1	RES0	0	RANGE	00h
02h	DATA _{LSB}	D7	D6	D5	D4	D3	D2	D1	D0	00h
03h	DATA _{MSB}	D15	D14	D13	D12	D11	D10	D9	D8	00h
04h	INT_LT_LSB	TL7	TL6	TL5	TL4	TL3	TL2	TL1	TL0	00h
05h	INT_LT_MSB	TL15	TL14	TL13	TL12	TL11	TL10	TL9	TL8	00h
06h	INT_HT_LSB	TH7	TH6	TH5	TH4	TH3	TH2	TH1	TH0	FFh
07h	INT_HT_MSB	TH15	TH14	TH13	TH12	TH11	TH10	TH9	TH8	FFh

Command Register I 0x00

The first command register has the following functions:

Operation Mode: Bits[7:5]. These three bits determine the operation mode of the device.

TABLE 2. OPERATION MODE

0x00[7:5]	OPERATION
000	Power-down
001	Red Sensor once
010	Blue Sensor once
011	Green Sensor once
100	Reserved
101	Red Sensor continuous
110	Blue Sensor continuous
111	Green Sensor continuous

Interrupt flag: Bit[2]. This is the interrupt status bit. The bit is set high when the interrupt thresholds have been triggered. Once triggered, the $\overline{\text{INT}}$ pin stays low and the status bit stays high. Both the interrupt pin and the status bit are cleared at the end of Command Register I read.

TABLE 3. INTERRUPT FLAG

0x00[2]	OPERATION
0	No Interrupt event
1	Interrupt event triggered

Interrupt persist: Bits[1:0]. The interrupt pin and the interrupt flag are triggered/set when the data sensor reading is out of the interrupt threshold window after m consecutive data conversion cycles. The interrupt persist bits determine m.

TABLE 4. INTERRUPT PERSISTENCE

0x00[1:0]	NUMBER OF DATA CONVERSION CYCLES
00	1
01	4
10	8
11	16

Command Register II 0x01

The second command register has the following functions:

Resolution: Bits[3:2] determine the ADC's resolution and the integration time. The integration time is the period the device's analog-to-digital (A/D) converter samples the photodiode current for a measurement.

TABLE 5. ADC RESOLUTION DATA WIDTH

0x01[3:2]	INTEGRATION TIME (ms)	RESOLUTION
00	90	16 Bits
01	5.6	12 Bits
10	0.35	8 Bits
11	0.022	4 Bits

- Range 0x01[0]:** The Full Scale Optical Range (FSOR). Optical sensitivity for the 'Low' range is 4.75 times the optical sensitivity in 'High' range.

TABLE 6. RANGE

0x01[0]	FSR
0	Low
1	High

Data Registers (0x02 and 0x03)

ISL29120 has two 8-bit read-only registers to hold the LSByte and MSByte data from the ADC. The most significant byte (MSB) is accessed at address 0x03, and the least significant byte (LSB) is accessed at address 0x02. For 16-bit resolution, the data is from D0 to D15; for 12-bit resolution, the data is from D0 to D11; for 8-bit resolution, the data is from D0 to D7. The registers are refreshed after every conversion cycle.

TABLE 7. DATA REGISTERS

ADDRESS	CONTENTS
0x02	D0 is LSB for 4, 8, 12 or 16-bit resolution; D3 is MSB for 4-bit resolution; D7 is MSB for 8-bit resolution
0x03	D15 is MSB for 16-bit resolution; D11 is MSB for 12-bit resolution

Interrupt Threshold Registers

Registers 0x04 and 0x05 set the low (LO) threshold for the interrupt pin and the interrupt flag. Register 0x04 is the LSByte and 0x05 is the MSByte. By default, the Interrupt threshold LO is 00 hex for both LSByte and MSByte.

Registers 0x06 and 0x07 set the high (HI) threshold for the interrupt pin and the interrupt flag. Register 0x06 is the LSByte and 0x07 is the MSByte. By default, the Interrupt threshold HI is 0xFF for both LSByte and MSByte.

Note that there is only one set of threshold registers as ISL29120 performs R, G and B conversions sequentially. If different thresholds are required for each color, then these threshold registers must be re-configured prior to issuing a convert start command. If a common threshold setting for the R, G and B is desired then the threshold register can be initialized at power-up.

Interrupt threshold registers should be programmed appropriately for the selected ADC conversion resolution. For example, for 12-bit mode, only the corresponding 12 bits of the threshold registers must be programmed and the remaining bits should be set to zero.

Interrupt Function

An interrupt event (IFLG) is indicated by 0x00[2]. The user must clear this bit during the device initialization. The ISL29120 will issue an interrupt indication by setting the IFLG bit if the count in Register 0x02 and 0x03 are outside the user's programmed window in interrupt threshold registers. Read Register 0x00 to clear the interrupt flag. Interrupt flags should also be cleared following a interrupt threshold configuration change.

An Interrupt persistency 0x01[1:0] option is available for interrupt event control for the RGB ambient light measurement. Persistency requires x-in-a-row interrupt flags before the $\overline{\text{INT}}$ pin is driven low. The user must read Register 0x0 to clear the Interrupt.

Noise/Flicker Rejection

Integrating ADC's provide excellent flicker/noise-rejection for periodic sources whose frequency is an integer multiple of the conversion rate. For instance, a 60Hz AC unwanted signal's sum from 0ms to $k \cdot 16.66\text{ms}$ ($k = 1, 2, \dots, k_i$) is zero. Similarly, setting the device's integration time to be an integer multiple of the

periodic noise signal significantly improves the light sensor output signal in the presence of noise.

Typical Application Circuit

A typical application for the ISL29120 is shown in Figure 6. The ISL29120's I²C address is internally hardwired as 1000110x. The device can be connected to a system's I²C bus with other I²C compliant devices.

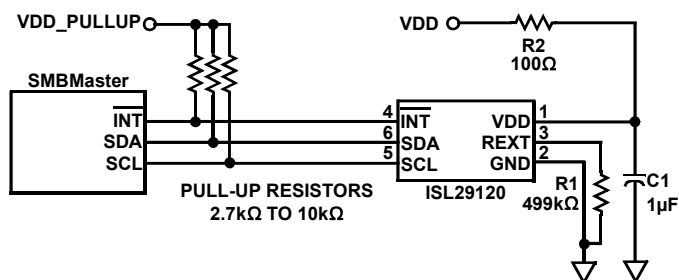


FIGURE 6. ISL29120 TYPICAL APPLICATION CIRCUIT

Suggested PCB Footprint

It is important that users check the "Surface Mount Assembly Guidelines for Optical Dual FlatPack No Lead (ODFN) Package" before starting ODFN product board mounting.

<http://internal.intersil.com/content/dam/Intersil/documents/tb47/tb477.pdf>

PCB Layout Considerations

The ISL29120 is relatively insensitive to PCB layout. There are only a few considerations that will ensure best performance.

Route the supply and I²C traces away from sources of digital switching noise. Use a 1μF power-supply decoupling capacitors close to the device. A series resistor in the power supply to isolate switching noise elsewhere in the system is recommended. The 499kΩ resistor should be placed close to the device and away from any noise sources.

Soldering Considerations

Convection heating is recommended for reflow soldering; direct-infrared heating is not recommended. The plastic ODFN package does not require a custom reflow soldering profile, and is qualified to +260 °C. A standard reflow soldering profile with a +260 °C maximum is recommended.

RGB Spectral Sensitivity

Typical spectral response of the ISL29120's Red, Green and Blue channels is shown in Figure 2. It should be observed that there is a considerable cross-spectral sensitivity among three colors. In addition, all three channels have a strong sensitivity to light in infra-red spectrum.

It is therefore imperative that the a color sense system-based on ISL29120 be calibrated for the desired application using a mathematical model to compensate for the cross-spectral coupling between the Red, Green and Blue channels.

For operation in infra-red rich environments, such as sunlight or incandescent lighting, use of an external Infrared filter is required for meaningful spectral color sensing.

ISL29120

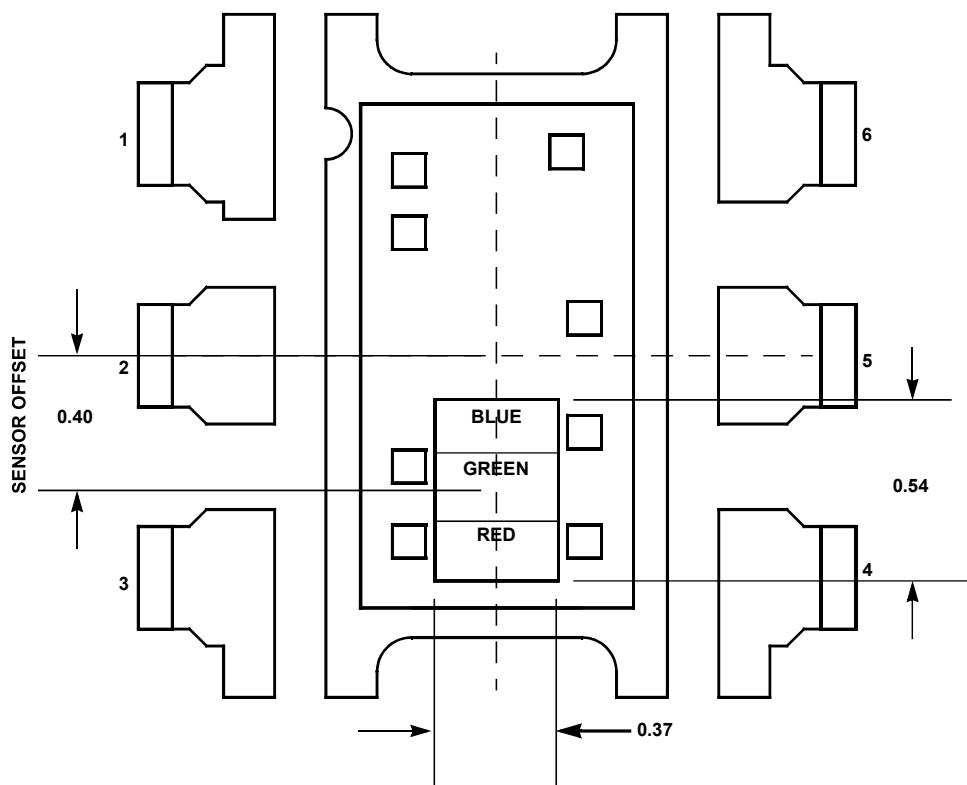


FIGURE 7. 6 LD ODFN SENSOR LOCATION OUTLINE

Revision History

The revision history provided is for informational purposes only and is believed to be accurate, but not warranted. Please go to web to make sure you have the latest Rev.

DATE	REVISION	CHANGE
May 29, 2012	FN8314.0	Initial release.

Products

Intersil Corporation is a leader in the design and manufacture of high-performance analog semiconductors. The Company's products address some of the industry's fastest growing markets, such as, flat panel displays, cell phones, handheld products, and notebooks. Intersil's product families address power management and analog signal processing functions. Go to www.intersil.com/products for a complete list of Intersil product families.

For a complete listing of Applications, Related Documentation and Related Parts, please see the respective device information page on intersil.com: [ISL29120](http://www.intersil.com/ISL29120)

To report errors or suggestions for this datasheet, please go to: www.intersil.com/askourstaff

FITs are available from our website at: <http://rel.intersil.com/reports/search.php>

For additional products, see www.intersil.com/product_tree

Intersil products are manufactured, assembled and tested utilizing ISO9000 quality systems as noted in the quality certifications found at www.intersil.com/design/quality

Intersil products are sold by description only. Intersil Corporation reserves the right to make changes in circuit design, software and/or specifications at any time without notice. Accordingly, the reader is cautioned to verify that data sheets are current before placing orders. Information furnished by Intersil is believed to be accurate and reliable. However, no responsibility is assumed by Intersil or its subsidiaries for its use; nor for any infringements of patents or other rights of third parties which may result from its use. No license is granted by implication or otherwise under any patent or patent rights of Intersil or its subsidiaries.

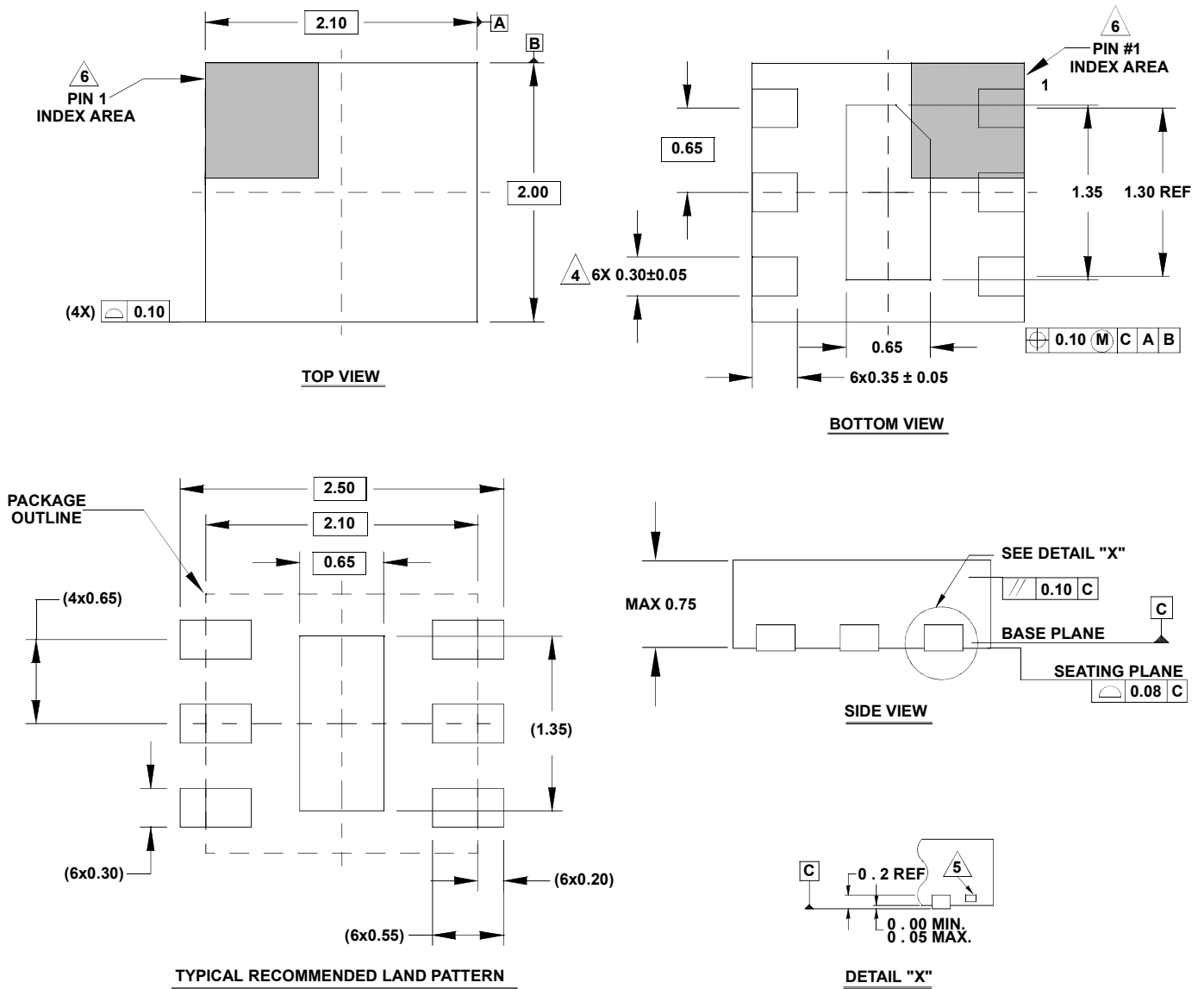
For information regarding Intersil Corporation and its products, see www.intersil.com

Package Outline Drawing

L6.2x2.1

6 LEAD OPTICAL DUAL FLAT NO-LEAD PLASTIC PACKAGE (ODFN)

Rev 3, 5/11



NOTES:

- Dimensions are in millimeters.
Dimensions in () for Reference Only.
- Dimensioning and tolerancing conform to ASME Y14.5m-1994.
- Unless otherwise specified, tolerance : Decimal ± 0.05
- Dimension applies to the metallized terminal and is measured between 0.15mm and 0.30mm from the terminal tip.
- Tiebar shown (if present) is a non-functional feature.
- The configuration of the pin #1 identifier is optional, but must be located within the zone indicated. The pin #1 identifier may be either a mold or mark feature.