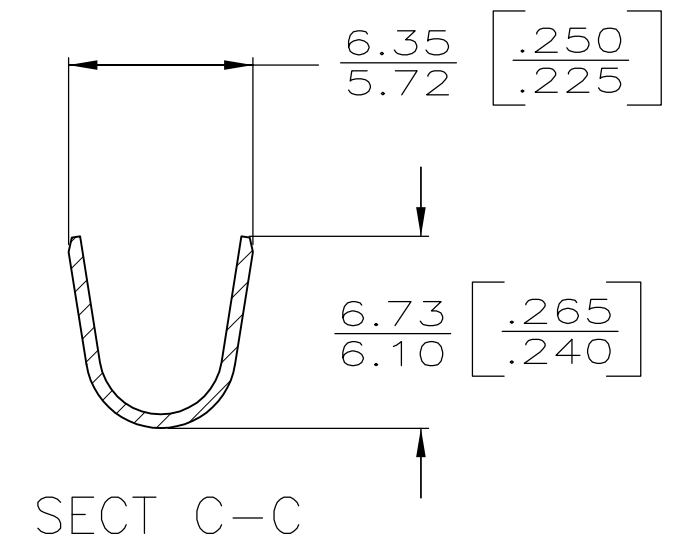
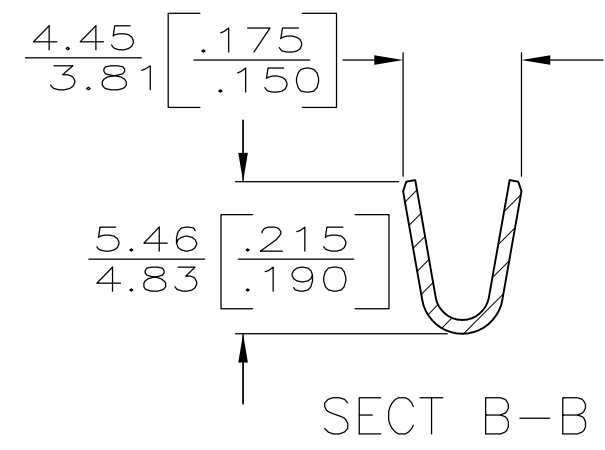
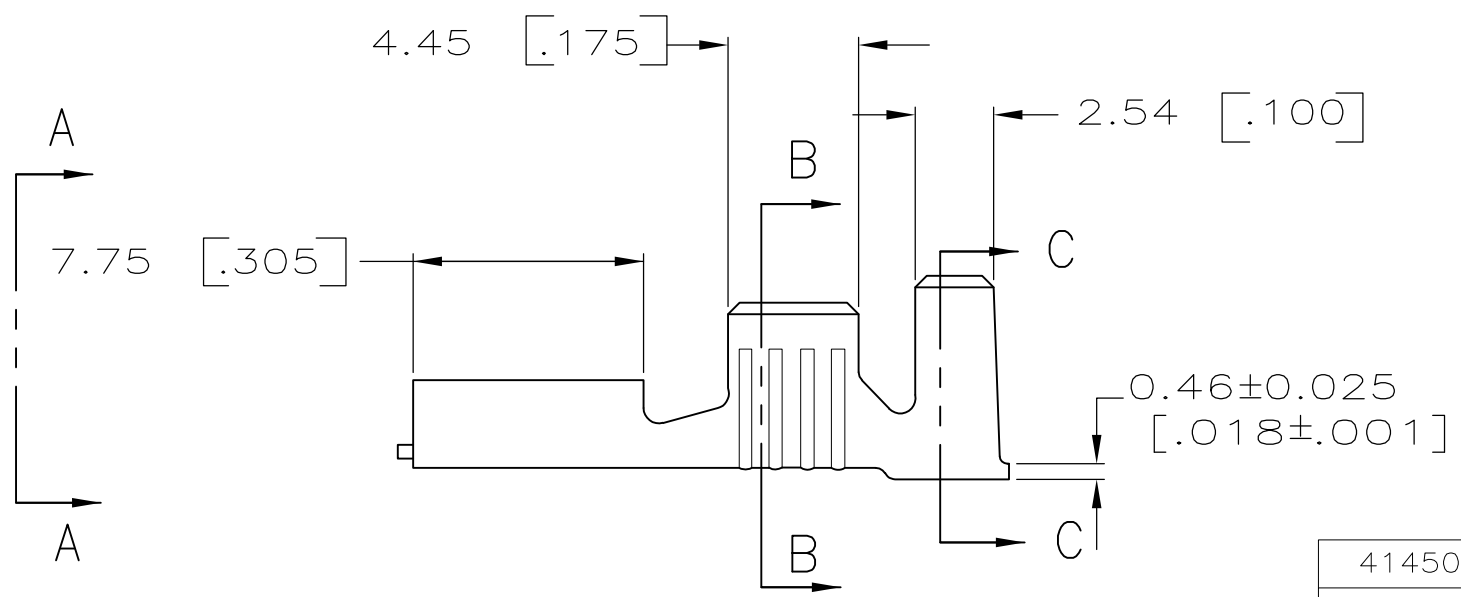
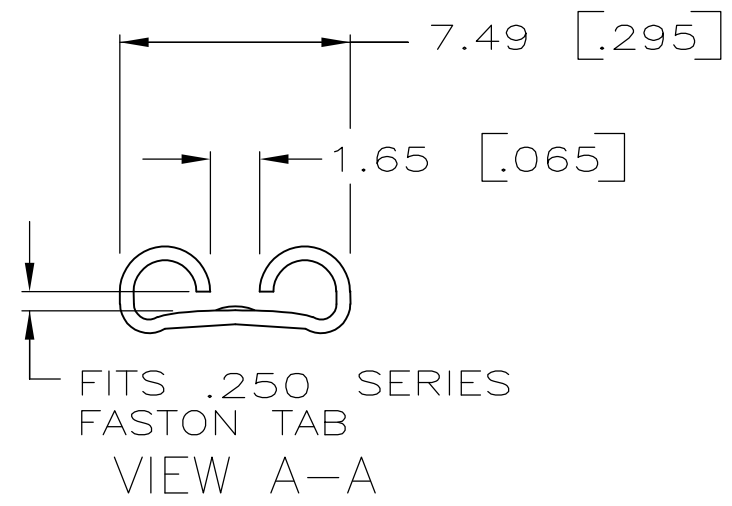
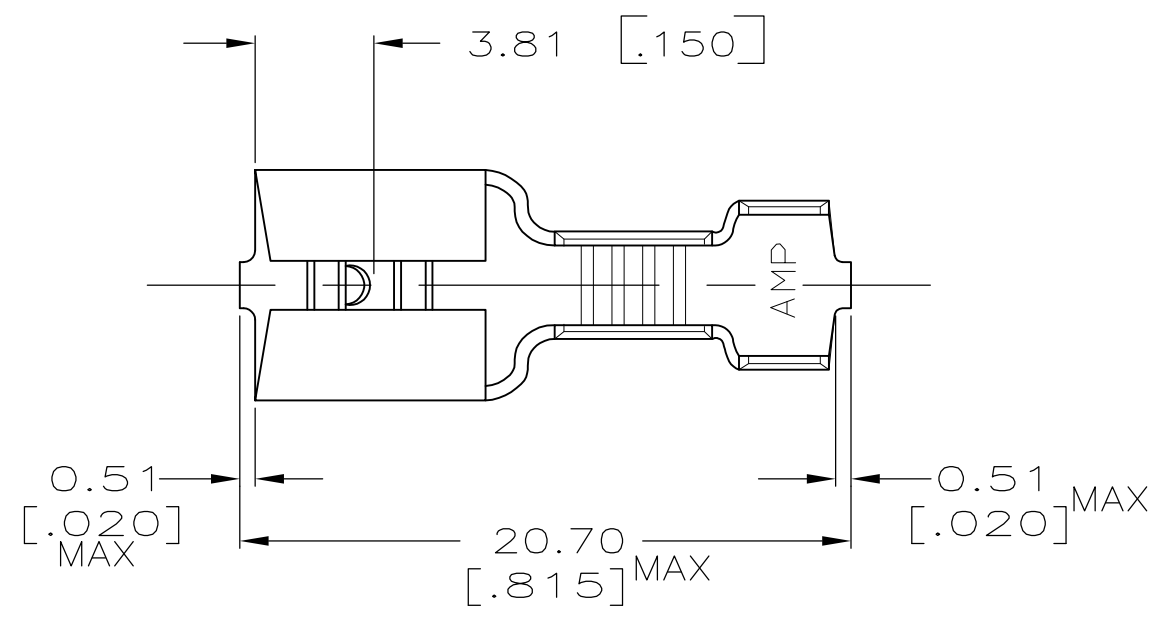


THIS DRAWING IS UNPUBLISHED. RELEASED FOR PUBLICATION
 © COPYRIGHT - By - ALL RIGHTS RESERVED.

LOC	DIST	REVISIONS			
P	LTR	DESCRIPTION	DATE	DWN	APVD
AF	50	B	REVISED PER ECR-12-013459	29NOV2012	KH PD

- 1 SUPPLIED IN LOOSE PIECE
- 2 WIRE SIZE IS 2.0-5.0mm² [14-10] AWG.
- 3 INSULATION RANGE IS 3.81-5.08 [.150-.200] DIA.
- △ 4 PRELIMINARY - NOT FOR PRODUCTION



41450-2	0.002032 [.000080] MIN TIN	T4 PHOS BRONZE	0.813 [.032]	△ 61227-2
41450	0.002032 [.000080] MIN TIN	BRASS	0.813 [.032]	61227-1
STRIP FORM	FINISH	MATERIAL	MATING TAB THK ±0.025 ±[.001]	PART NO

THIS DRAWING IS A CONTROLLED DOCUMENT.		DWN	JR RUTH	3/2/93	STE TE Connectivity
DIMENSIONS: mm [INCHES]		CHK	MS FEHER	3/2/93	
TOLERANCES UNLESS OTHERWISE SPECIFIED:		APVD	C MEYERS	3/2/93	
0 PLC ± - 1 PLC ± - 2 PLC ± - 3 PLC ± 0.25 [.010] 4 PLC ± - ANGLES ± -		PRODUCT SPEC		NAME	
MATERIAL SEE TABLE		FINISH SEE TABLE		APPLICATION SPEC	RECEPTACLE, FASTON, .250 SERIES
		WEIGHT	-		SIZE
		CUSTOMER DRAWING		A300779	CAGE CODE
		SCALE		4:1	DRAWING NO
		SHEET		1 OF 1	RESTRICTED TO
		REV		B	