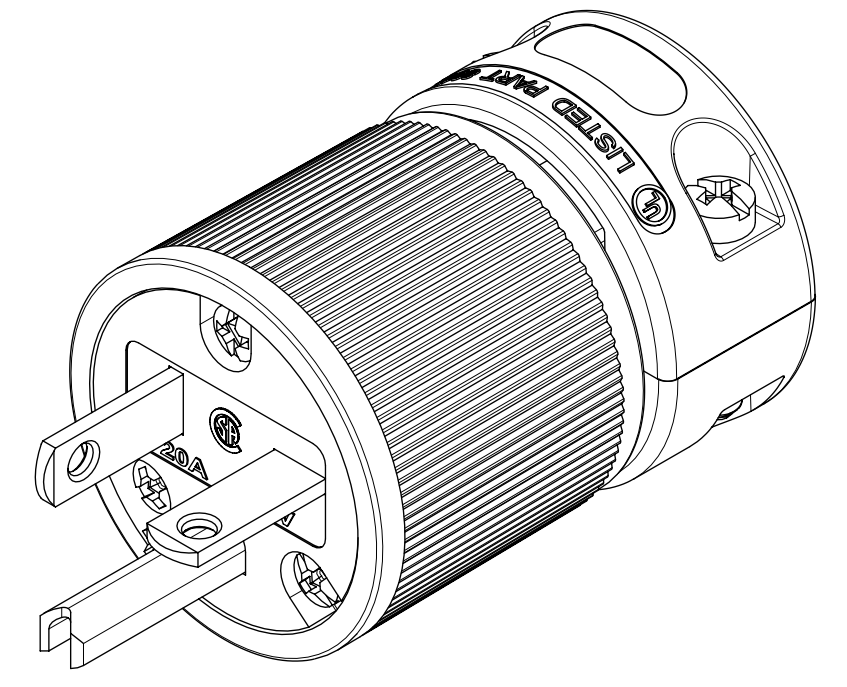
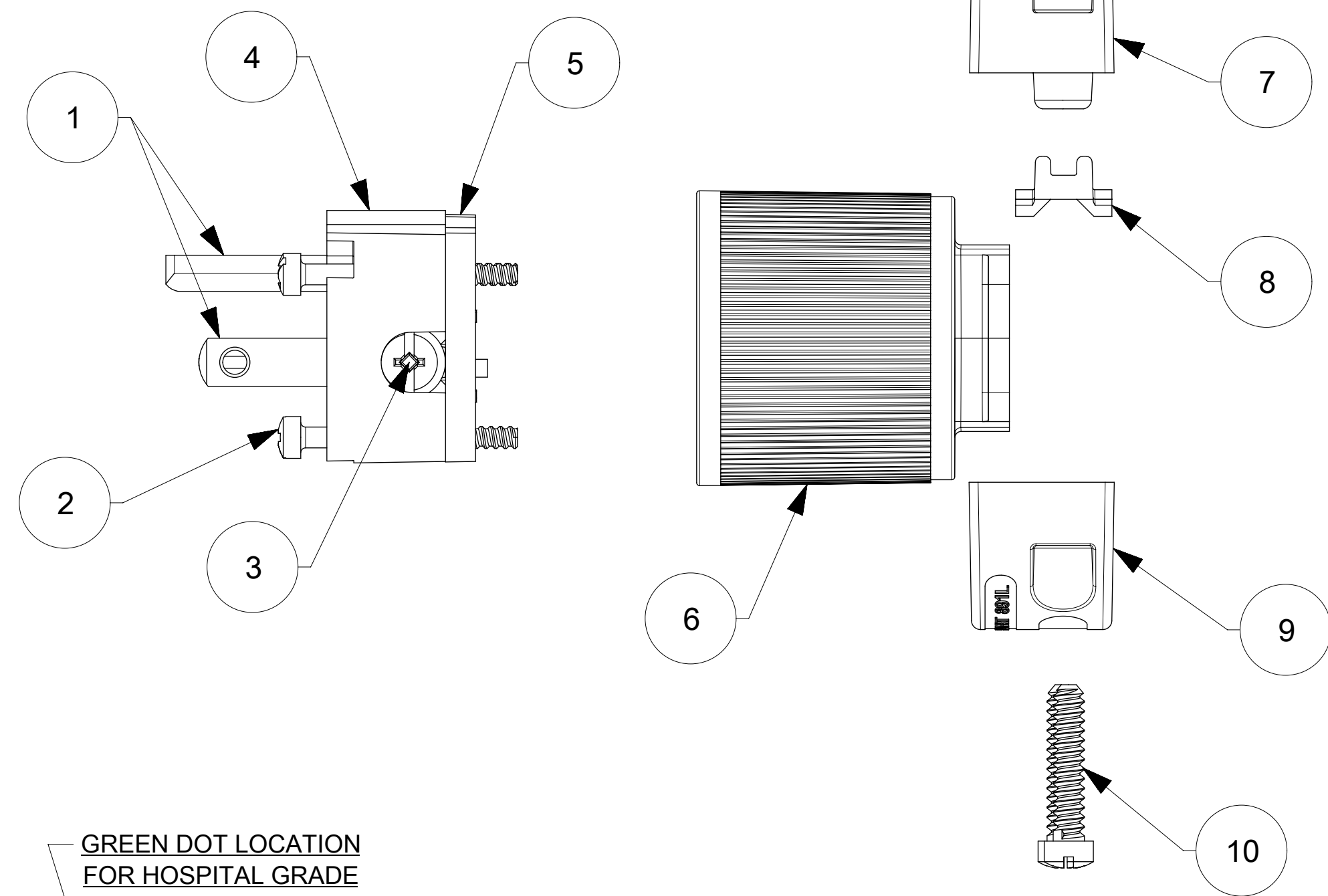
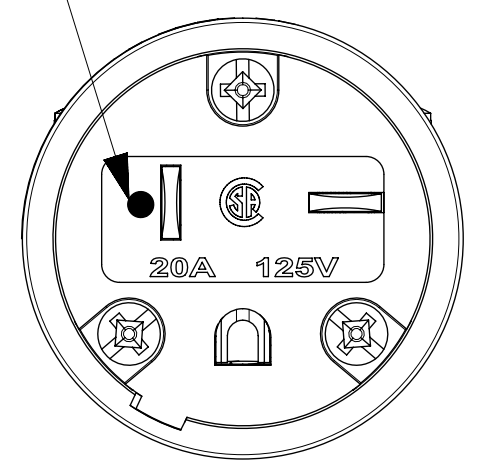


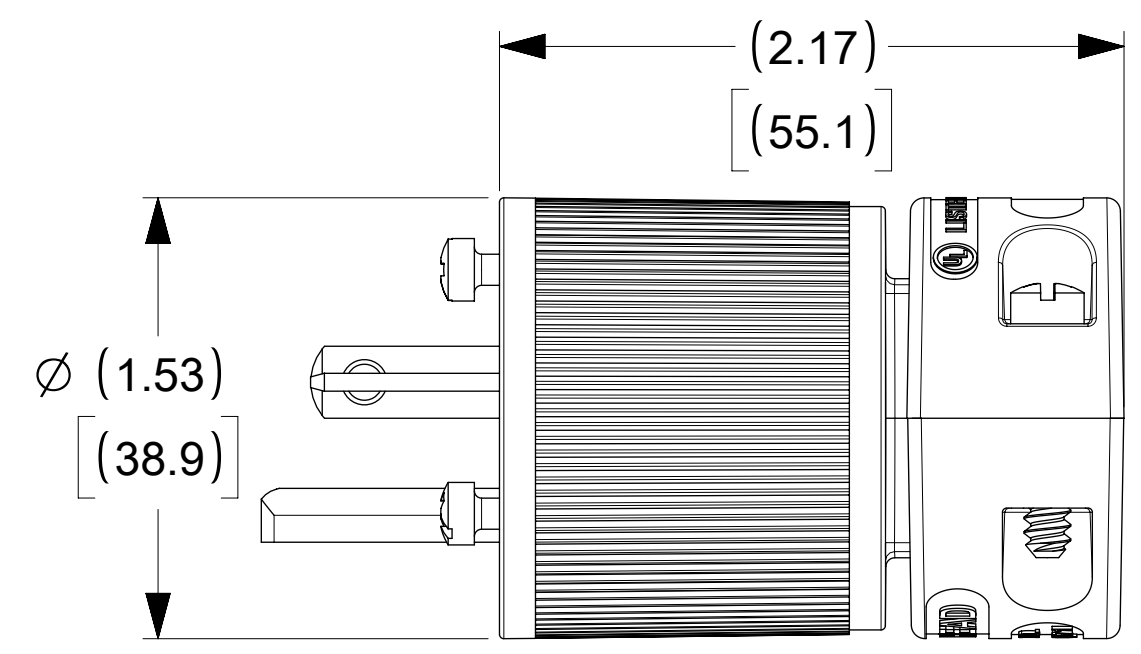
ORDER NO.	WOODHEAD NO.	COLOR	GRADE
130144-0053	5366	BLACK	STANDARD
130144-0054	5366ORG	ORANGE	STANDARD
130144-0082	85366	BLACK	HOSPITAL
130144-0083	85366YL	YELLOW	HOSPITAL



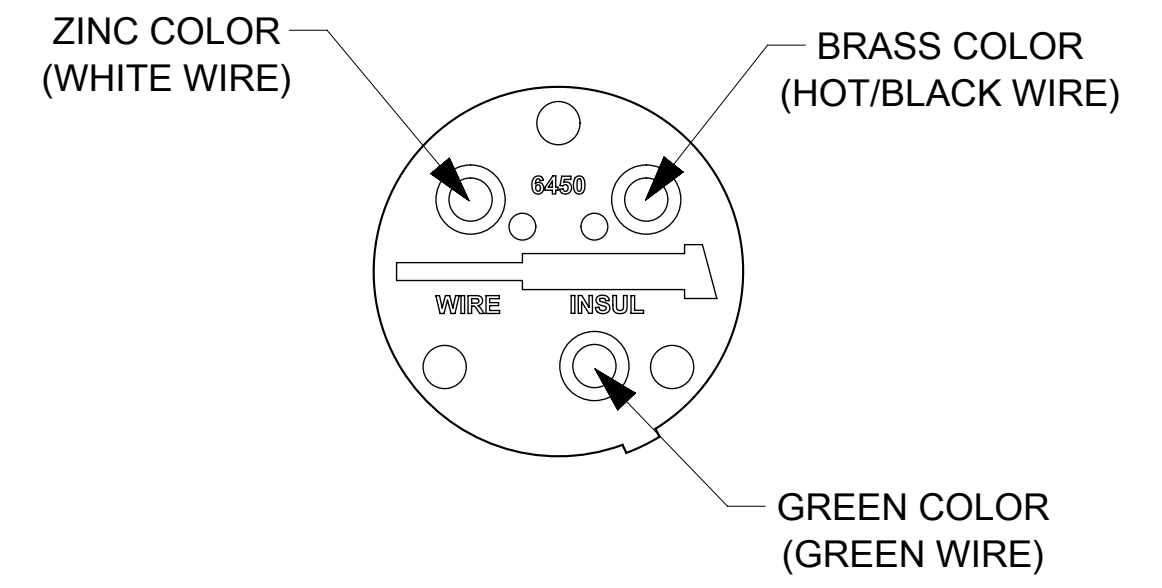
GREEN DOT LOCATION  
FOR HOSPITAL GRADE  
P/N 85366XX ONLY



FACE VIEW



WIRING TERMINATION



ITEM NO.	DESCRIPTIONS	MATERIAL	QTY.
1	BLADES	BRASS	3
2	RETAINING SCREWS	STAINLESS STEEL	3
3	TERMINAL SCREWS/CLAMP ASSEMBLY	BRASS, ZINC PLATED	3
4	INSERT	NYLON	1
5	TERMINAL COVER	POLYCARBONATE	1
6	HOUSING	NYLON	1
7	CLAMP CORD MALE	NYLON	1
8	CLAMP CORD INSERT	NYLON	1
9	CLAMP CORD FEMALE	NYLON	1
10	RETAINING SCREWS	STEEL, ZINC PLATED	2

THIS DRAWING CONTAINS INFORMATION THAT IS PROPRIETARY TO MOLEX ELECTRONIC TECHNOLOGIES, LLC AND SHOULD NOT BE USED WITHOUT WRITTEN PERMISSION

DIMENSION UNITS <b>INCH[MM]</b>	SCALE <b>NTS</b>	CURRENT REV DESC: OBSOLETE PART NUMBER AS PER PCN#509987.	<b>molex</b>		
GENERAL TOLERANCES (UNLESS SPECIFIED)		EC NO: 693623			
4 PLACES ±	MM INCH	DRWN: SANTHN 2021/09/13	PRODUCT CUSTOMER DRAWING		
3 PLACES ±		CHK'D: GGA 2022/03/30	DOCUMENT NUMBER		
2 PLACES ±		APPR: GGA 2022/03/30	1301440053		
1 PLACE ±		INITIAL REVISION:	DOC TYPE	DOC PART	REVISION
0 PLACES ±		DRWN: VBASUTHKARP 2019/02/05	PSD	000	A1
ANGULAR TOL ± °		APPR: HKNEELAND 2020/01/25	MATERIAL NUMBER	CUSTOMER	SHEET NUMBER
DRAFT WHERE APPLICABLE MUST REMAIN WITHIN DIMENSIONS	THIRD ANGLE PROJECTION	DRAWING	SEE TABLE	GENERAL MARKET	1 OF 1
		C-SIZE	130144		