

NOTES:

1. MATERIALS AND FINISHES:
 HEX NUT - BRASS, GOLD PLATING
 LOCK WASHER - BRASS, GOLD PLATING
 BODY - BRASS, GOLD PLATING
 CONTACT - BERYLLIUM COPPER, GOLD PLATING
 GASKET - SILICONE RUBBER, RED
 INSULATOR - PTFE, NATURAL

2. ELECTRICAL:
 A. IMPEDANCE: 50 OHM
 B. FREQUENCY RANGE: 0-18 GHz
 C. VSWR (RETURN LOSS): 1.300 (-17.7 dB) MAX.
 D. D.W.V: 1000 VRMS, MIN.

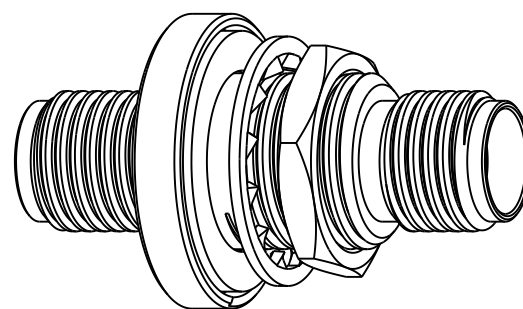
3. MECHANICAL:
 A. DURABILITY: 500 CYCLES MIN.
 B. TEMPERATURE RANGE: -65°C TO +165°C

4. MAX. PANEL THICKNESS=4.3mm

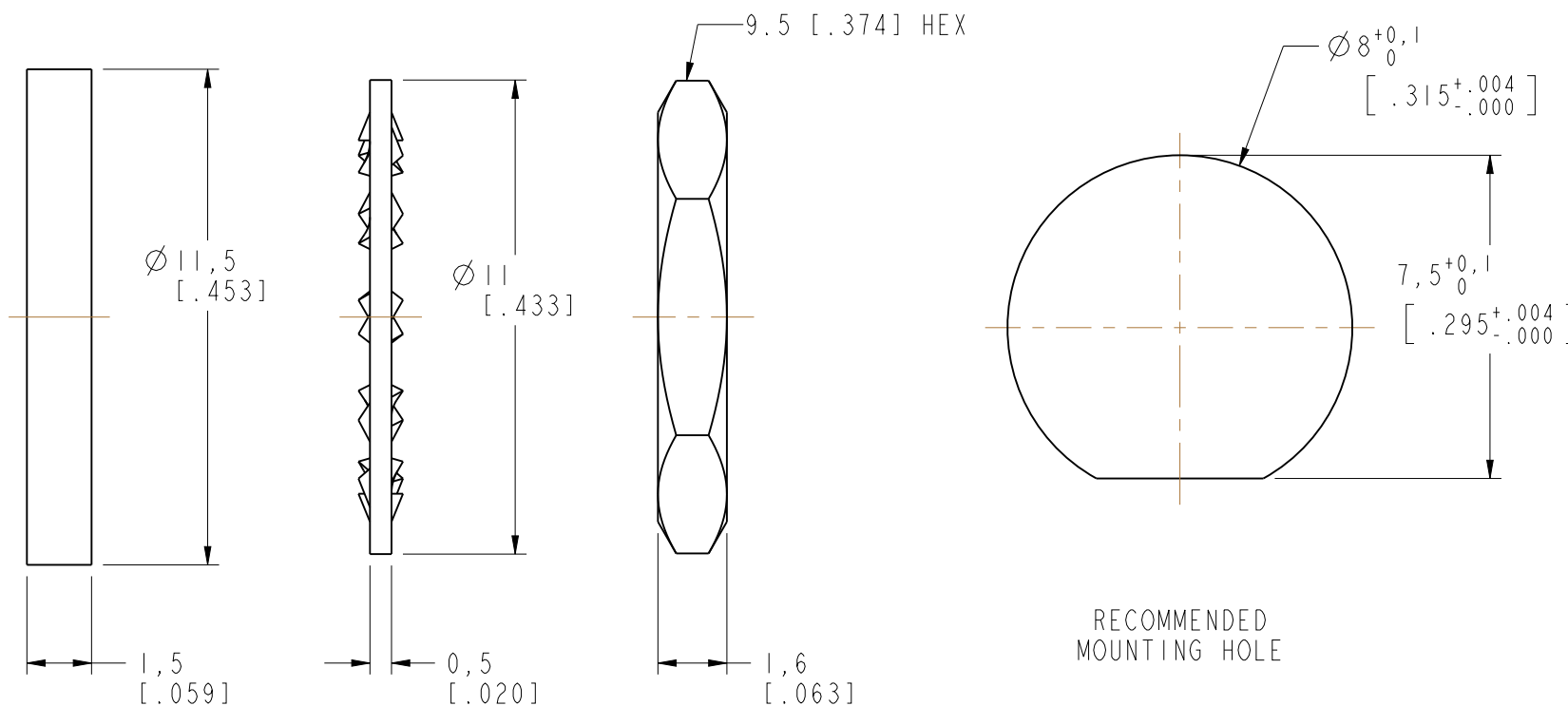
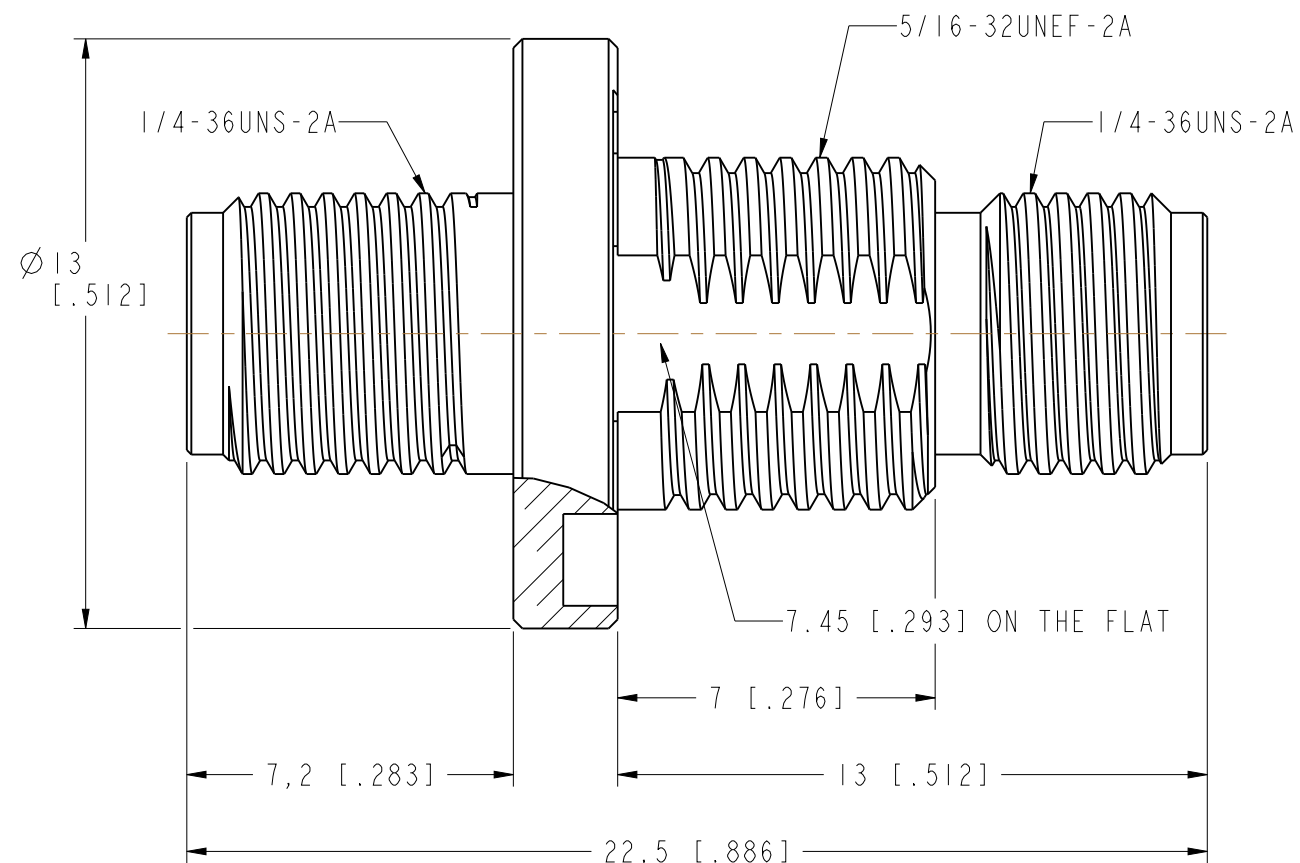
THIRD ANGLE PROJ.

REVISIONS

REV	DESCRIPTION	DATE	ECO	APPR
NC	INITIAL RELEASE	12-Aug-09	----	CW
A	THE DESIGN WAS CHANGED & UPDATE DRAWING FORMAT	05-Jan-15	2843	MZ
B	SYNCH DWGS	21-Jan-15	50369	MZ



SCALE 3.000



CUSTOMER OUTLINE DRAWING
 ALL OTHER SHEETS ARE FOR INTERNAL USE ONLY

UNLESS OTHERWISE SPECIFIED, DIMENSIONS ARE IN METRIC AND TOLERANCES ARE: <0.5mm ±0.05mm 0.5 - 6mm ±0.1mm 6 - 30mm ±0.2mm 30 - 120mm ±0.3mm ANGLES ±1° NOTICE - These drawings, specifications, or other data (1) are, and remain the property of Amphenol corp. (2) must be returned upon request; and (3) are confidential and not to be disclosed to any person other than those to whom they are given by Amphenol Corp. the furnishing of these drawings, specifications, or other data by Amphenol Corp., or to any other person to anyone for any purpose is not to be regarded by implication or otherwise in any manner licensing, granting rights to permitting such holder or any other person to manufacture, use or sell any product, process or design, patented or otherwise, that may in any way be related to or disclosed by said drawings, specifications, or other data.	MATERIAL	DRAWN M.ZHANG	DATE 21-Jan-15	TITLE SMA BULKHEAD JACK TO JACK ADAPTER	Amphenol Connex
	REFERENCE SMA7471A1-3GT5GP-50	ENGINEER S.DUAN	DATE 21-Jan-15		
	CONFIGURATION LEVEL: In Work	APPROVED S.HSIEH	DATE 21-Jan-15	SHEET 3 OF 3	ITEM NO.
	FINISH	CAD FILE	SCALE: 6.0:1.0	DWG SIZE B	REV B