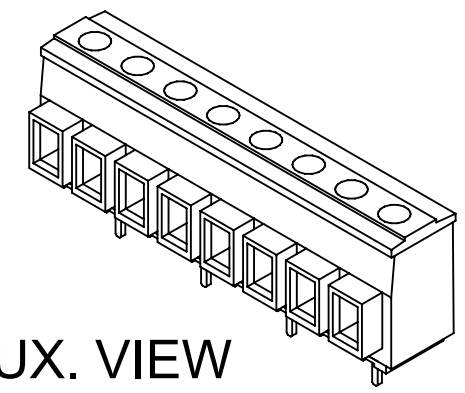
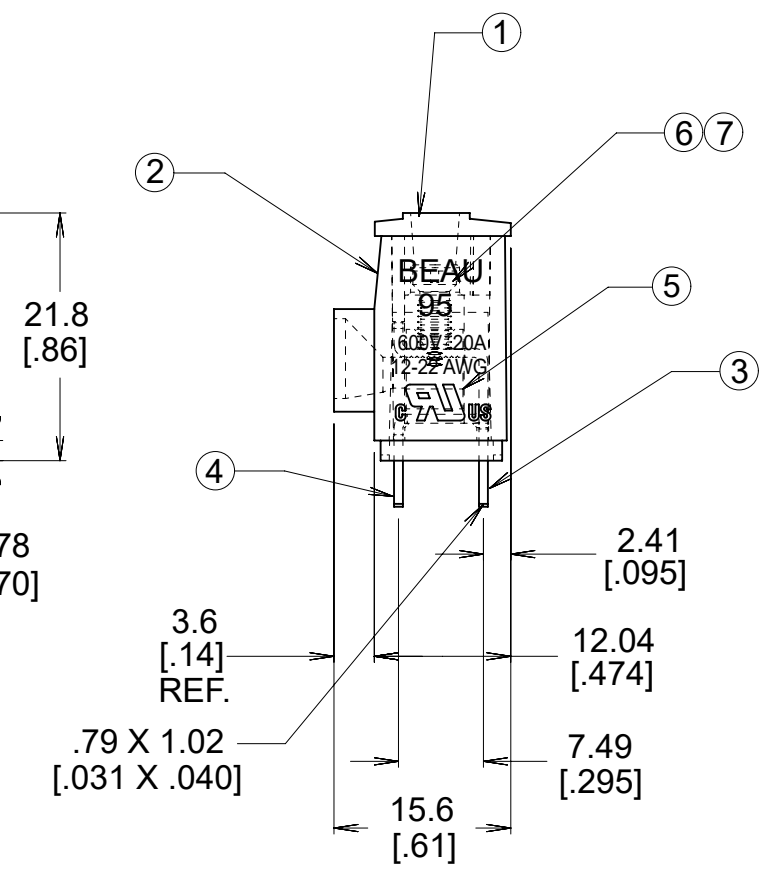
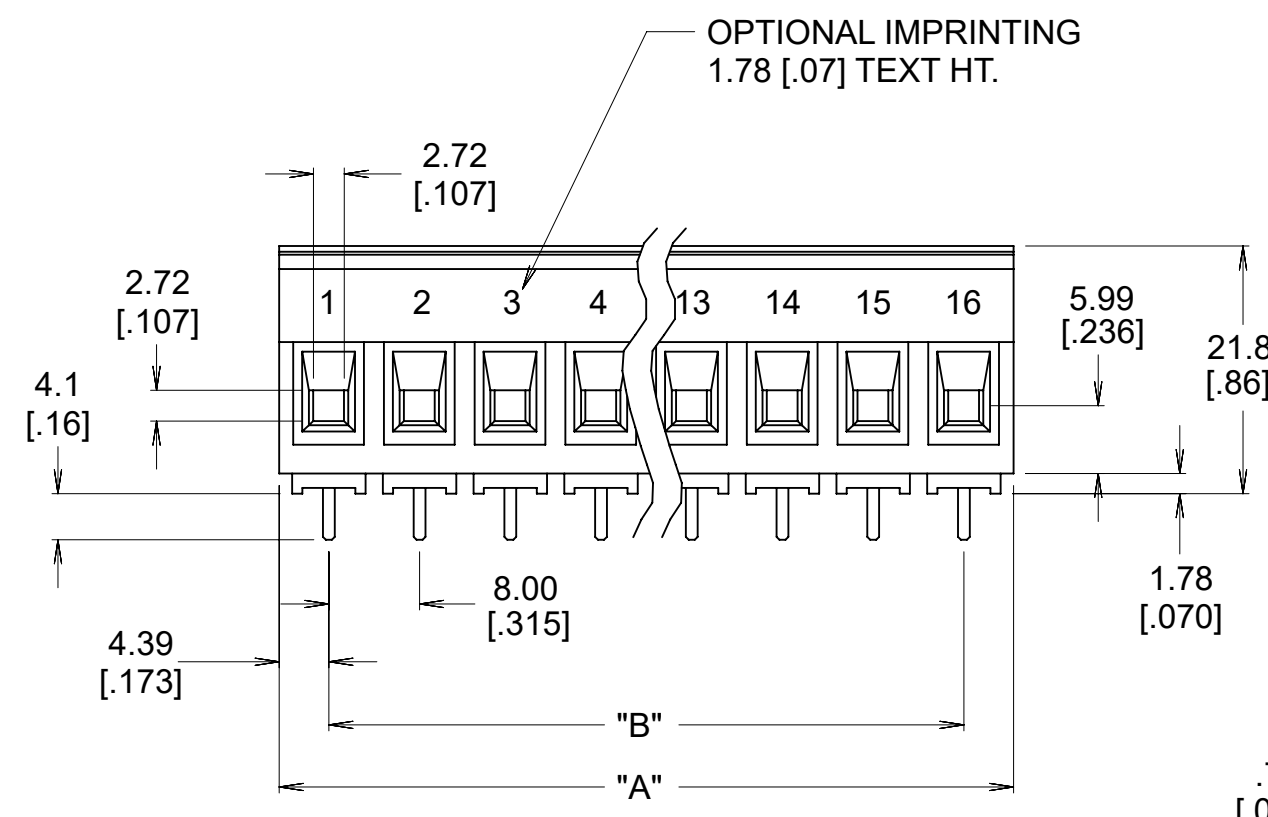
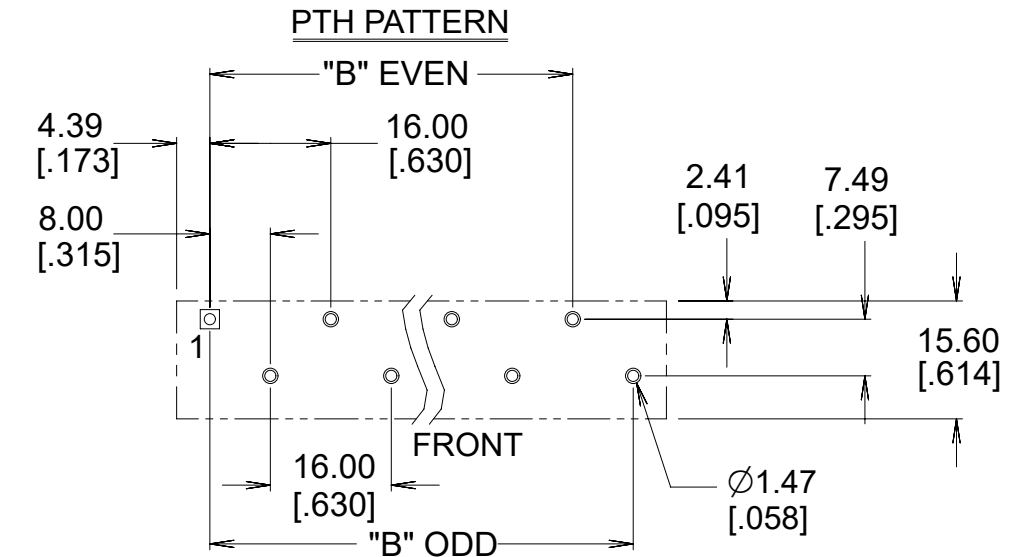
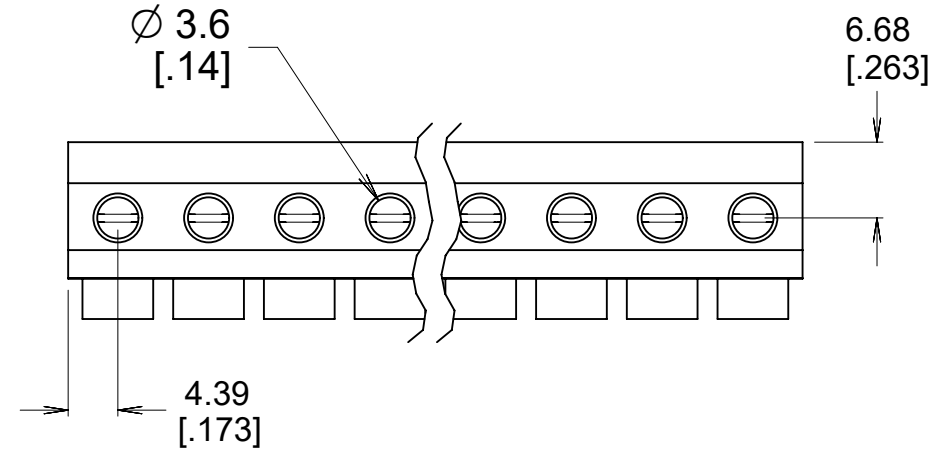


NO. OF CIRCUITS	DIM. "A"		DIM. "B"		ASSEMBLY MATERIAL NO. (STANDARD)	ASSEMBLY MATERIAL NO. (-49 OPT)	ASSEMBLY MATERIAL NO. (-10A OPT)	FRONT TERMINAL QTY.	REAR TERMINAL QTY.
	mm	in	mm	in					
03	24.8	0.98	16.00	0.630	399500103		399520103	1	2
04	32.8	1.29	24.00	0.945		399540104	399520104	2	2
05	40.8	1.61	32.00	1.260		399540105	399520105	2	3
06	48.8	1.92	40.00	1.575		399540106	399520106	3	3
07	56.8	2.24	48.00	1.890		399540107	399520107	3	4
08	64.8	2.55	56.00	2.205			399520108	4	4
09	72.8	2.87	64.00	2.520			399520109	4	5
11	88.8	3.50	80.00	3.150	399500111	399540111	399520111	5	6
13	104.8	4.13	96.00	3.780		399540113	399520113	6	7
14	112.8	4.44	104.00	4.094		399540114	399520114	7	7
15	120.8	4.76	112.00	4.409		399540115	399520115	7	8
16	128.8	5.07	120.00	4.724		399540116	399520116	8	8



AUX. VIEW  
SCALE 1:1



- NOTES:
- MATERIAL: SEE TABLE
  - FINISHES: SEE TABLE
  - INCH DIMS ARE SHOWN IN BRACKETS [XXX].
  - "XX" REFER TO THE NUMBER OF CIRCUITS.
  - ALL CREEP DISTANCES FOR UL 1059, CLASS C, 600V GENERAL INDUSTRIAL
  - FOR USE WITH #22-#12 AWG SOLID AND STRANDED WIRES
  - TORQUE RATING IS 5 IN-LB. MAX.
  - PRODUCT PERFORMANCE SPECIFICATION PPS.95.001
  - ASSEMBLY IS ROHS COMPLIANT.

7	"XX"	SCREW, M3 X 0.5, -49 OPTION	PHOS. BRONZE	TIN PLATE
6	"XX"	SCREW, M3 X 0.5, STD.	STEEL	ZN, CLEAR CHROMATE
5	"XX"	CAGE CLAMP	BRASS	NICKEL PLATE
4	SEE CHART	FRONT TERMINAL	RED BRASS	TIN PLATE
3	SEE CHART	REAR TERMINAL	RED BRASS	TIN PLATE
2	1	BODY	PBT	BLACK
1	1	CAP	PBT	BLACK
ITEM	QTY.	DESCRIPTION	MATERIAL	FINISH

THIS DRAWING CONTAINS INFORMATION THAT IS PROPRIETARY TO MOLEX ELECTRONIC TECHNOLOGIES, LLC AND SHOULD NOT BE USED WITHOUT WRITTEN PERMISSION

DIMENSION UNITS	SCALE	CURRENT REV DESC: Obsolete part number as per pcn#512167	<b>molex</b>		
MM/IN	3:2				
GENERAL TOLERANCES (UNLESS SPECIFIED)			8.00MM SR BTS, PCKT, #12 AWG ASY, 600V, 20A		
	MM	INCH	PRODUCT CUSTOMER DRAWING		
4 PLACES	±	±	DOCUMENT NUMBER		
3 PLACES	±	± 0.005	DOC TYPE   DOC PART   REVISION		
2 PLACES	± 0.13	± 0.01	SD-39950-001   PSD   001   J		
1 PLACE	± 0.3	±	MATERIAL NUMBER   CUSTOMER		
0 PLACES	±	±	SEE TABLE   GENERAL MARKET		
ANGULAR TOL	± 2.0 °		SHEET NUMBER		
DRAFT WHERE APPLICABLE MUST REMAIN WITHIN DIMENSIONS			1 OF 1		

EC NO: 727777  
DRWN: SUGEEB 2022/11/07  
CHK'D: GGA 2022/11/16  
APPR: GGA 2022/11/16

INITIAL REVISION:  
DRWN: GHR 1998/10/30  
APPR: L.ROTHAUS 1998/11/02

THIRD ANGLE PROJECTION  
DRAWING SERIES: C-SIZE 39950