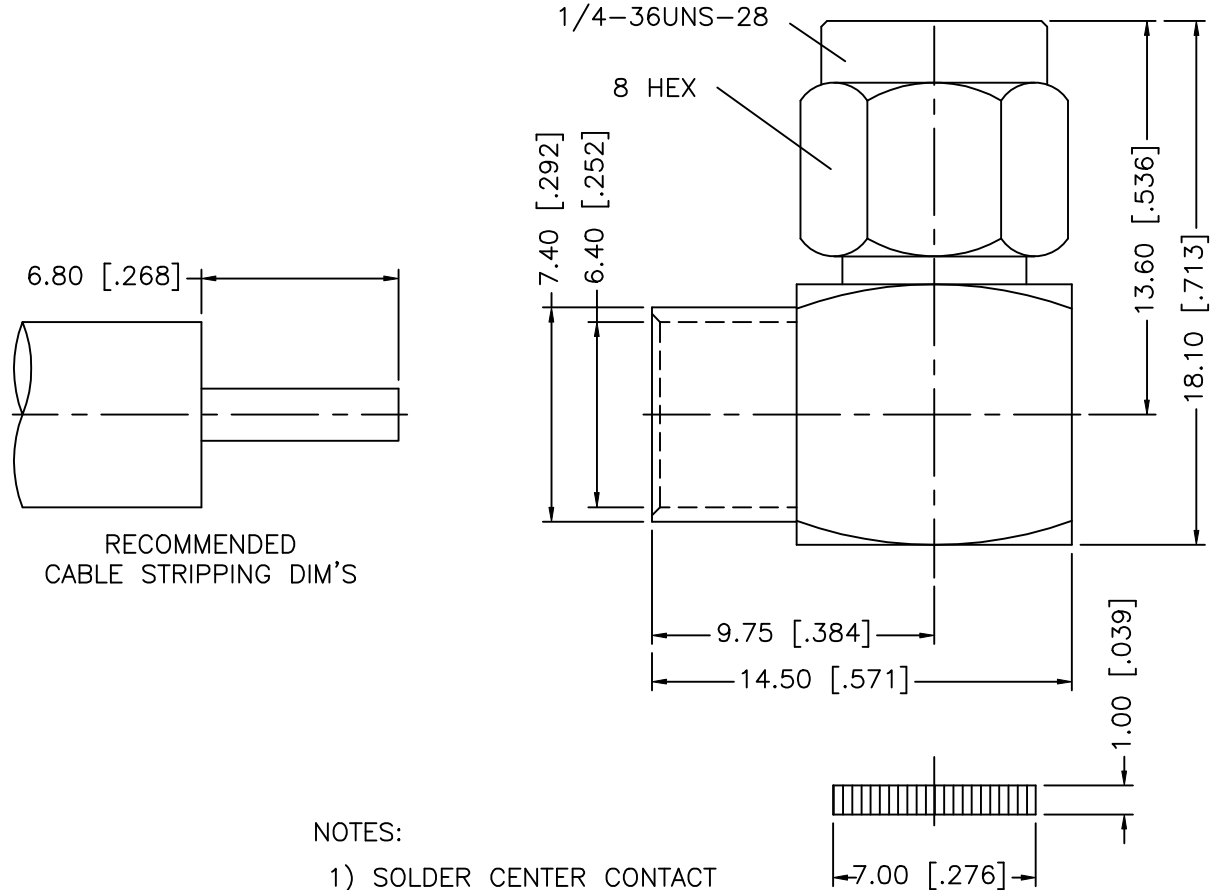


REV.	DATE	DESCRIPTION
NC	06/11/02	INITIAL RELEASE



8			
7			
6			
5			
4	COVER	BRASS	GOLD
3	CONTACT PIN	BRASS	GOLD
2	INSULATOR	TEFLON	NATURAL
1	HOUSING/BODY	BRASS	GOLD
	DESCRIPTION	MATERIAL	FINISH

UNLESS OTHERWISE SPECIFIED
DIMENSIONS ARE IN MILLIMETERS

DIMENSIONS IN []
ARE IN INCHES FOR
CUSTOMER REFERENCE ONLY

UNLESS OTHERWISE SPECIFIED
TOLERANCES FOR INCHES ARE:

.XXX = ± 0.005"
.XX = ± 0.010"
.X = ± 0.020"

DO NOT SCALE DRAWING

APPROVALS

DATE

DRAWN G.R.S. 06/11/02

CHECKED

ISSUED

Amphenol - Connex
CONNECTOR CORPORATION

TITLE

SMA R/A DIRECT SOLDER PLUG
(FOR .250" SEMI RIGID CABLE)

SIZE

FSCM NO.

DWG. NO.

REV.

A

99001

132344.DWG

NC

SCALE

NA

PART NO.

132344

SHEET

1 OF 1