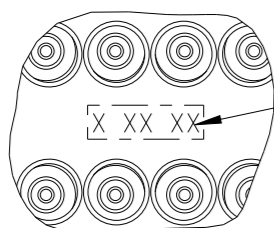
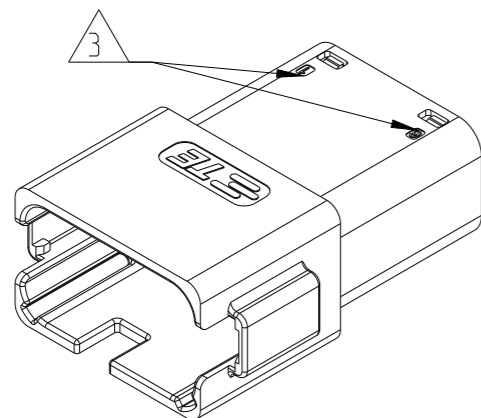


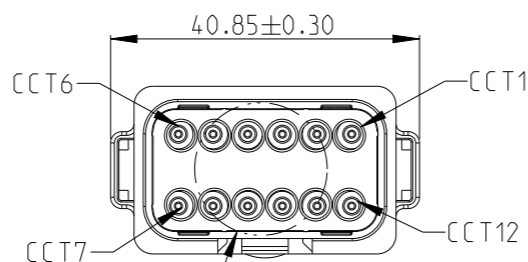
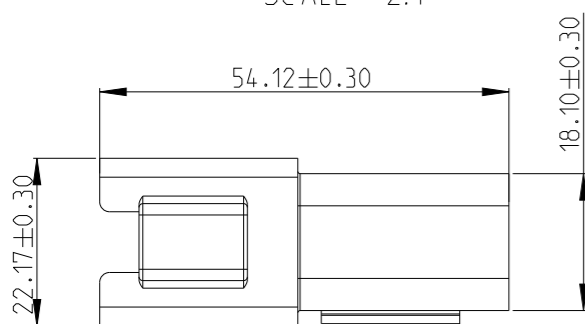
12CCT RECEPTACLE CONNECTOR



DATE CODE: X XX XX
 X- DAY: 1- 7
 XX- WEEK: 01 - 52
 XX- YEAR: 00 - 99
 # MACHINE NO. 1

EXAMPLE: 11315 = DAY 1, WEEK 13, YEAR 15
 i.e. 23rd OF MARCH 2015

DETAIL A
 SCALE 2:1



1. THIS RECEP MATES WITH PLUG ASSEMBLY PN X-2600043-X, WEDGE LOCK PN W12P.

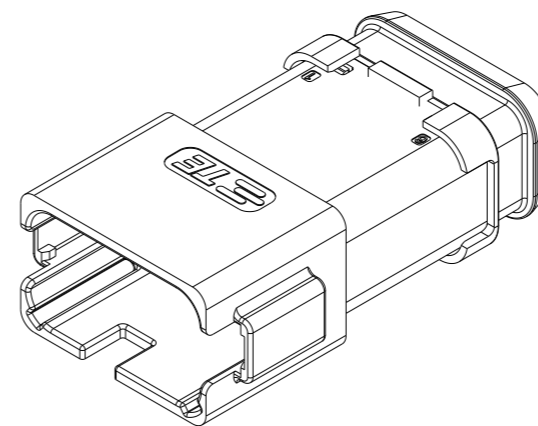
2. MATERIAL
 HOUSING: NYLON GF30
 BACK SEAL: SILICONE RUBBER
 BACK COVER: NYLON GF30, BLACK
 HEATSHRINK HOUSING: NYLON GF30, BLACK

3 CIRCUIT IDENTIFICATION

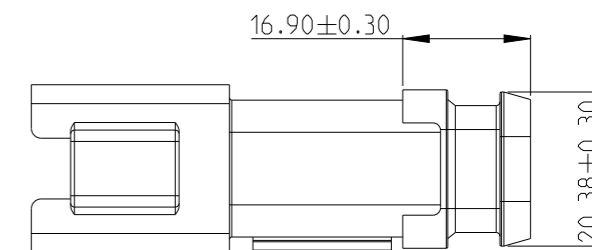
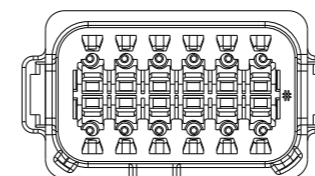
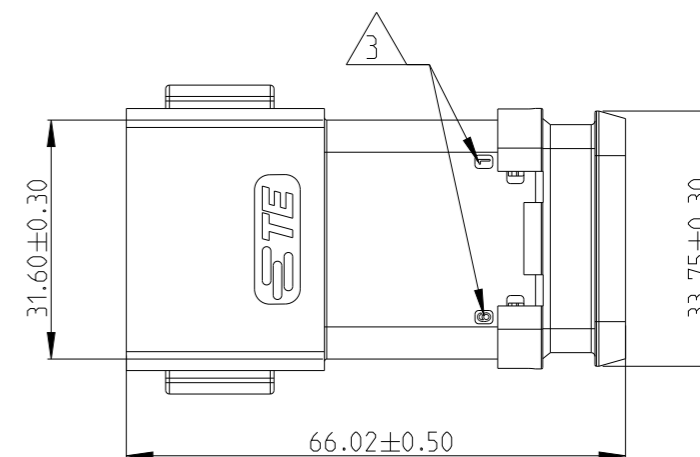
4. JACKET RANGE LARGE = \varnothing 2.23mm TO 3.68mm (SEAL COLOUR: LIGHT BLUE)
 JACKET RANGE SMALL = \varnothing 1.20mm TO 3.05mm (SEAL COLOUR: BURNT ORANGE)

5. SEE SHEET 3 FOR FINAL PART NUMBER DESIGNATION

| REVISIONS | | | | | |
|-----------|-----|-----------------|-----------|-----|------|
| P | LTR | DESCRIPTION | DATE | DWN | APVD |
| | A | INITIAL RELEASE | 20JUN2020 | J.S | I.Y |
| | A1 | ECR-20-010349 | 26JUL2020 | J.G | I.Y |
| | A2 | ECN-21-113425 | 17AUG2021 | J.G | Z.Z |



12CCT RECEPTACLE CONNECTOR WITH HEATSHRINK HOUSING ULTRASONICALLY WELDED IN PLACE



THIS DRAWING IS A CONTROLLED DOCUMENT.

| DIMENSIONS: | TOLERANCES UNLESS OTHERWISE SPECIFIED: |
|-------------|--|
| mm | |
| | 0 PLC ± |
| | 1 PLC ± |
| | 2 PLC ± |
| | 3 PLC ± |
| | 4 PLC ± |
| | ANGLES ± |
| | FINISH ± |

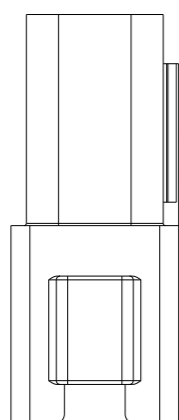
| | | |
|------------------|------------|-----------|
| DWN | J.Shang | 20JUN2020 |
| CHK | E.Jiang | 20JUN2020 |
| APVD | L.Yin | 20JUN2020 |
| PRODUCT SPEC | 108-160026 | |
| APPLICATION SPEC | 114-160017 | |
| WEIGHT | - | |
| CUSTOMER DRAWING | | |

| | | | | | |
|-----------------|--|-------|-----------|----------------------------------|---------------|
| TE Connectivity | | NAME | | 12CCT DT-XT RECEPTACLE CONNECTOR | |
| | | SIZE | CAGE CODE | DRAWING NO | RESTRICTED TO |
| A3 | | 00779 | C-2600042 | | - |
| SCALE | | 1:1 | SHEET | 1 OF 3 | REV |
| | | | | | A2 |

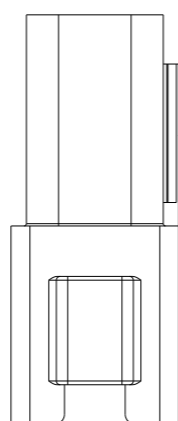
REVISIONS

| P | LTR | DESCRIPTION | DATE | DWN | APVD |
|---|-----|-------------|------|-----|------|
| | | SEE SHEET 1 | | | |
| | | | | | |
| | | | | | |

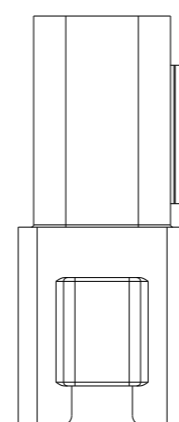
KEYING OPTION A



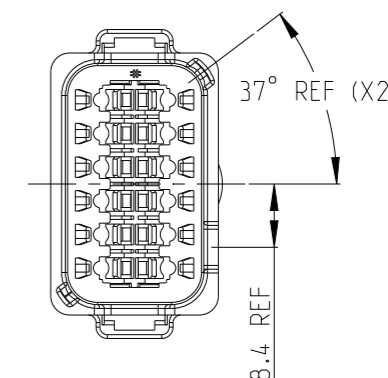
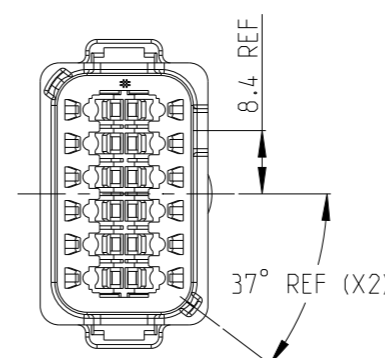
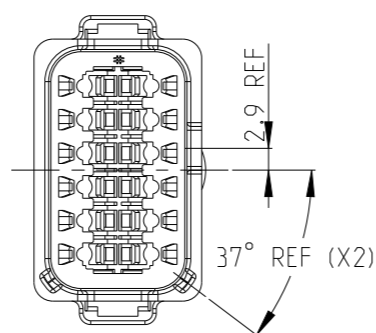
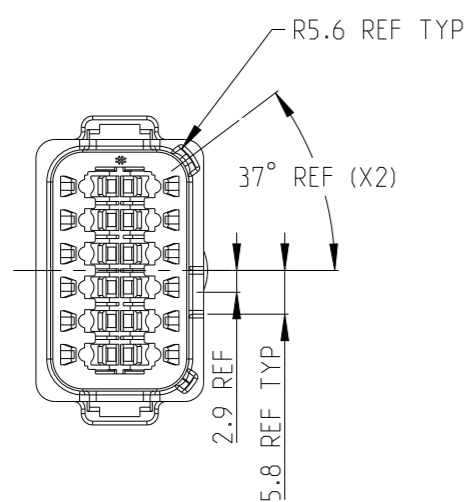
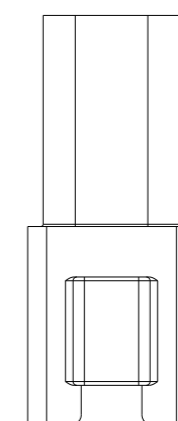
KEYING OPTION B



KEYING OPTION C

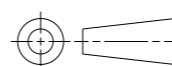


KEYING OPTION D



THIS DRAWING IS A CONTROLLED DOCUMENT.

DIMENSIONS:
mm



TOLERANCES UNLESS OTHERWISE SPECIFIED:

- 0 PLC ±
- 1 PLC ±
- 2 PLC ±
- 3 PLC ±
- 4 PLC ±
- ANGLES ±

MATERIAL

FINISH

DWN J.Shang 20JUN2020

CHK E.Jiang 20JUN2020

APVD L.Yin 20JUN2020

PRODUCT SPEC
108-160026

APPLICATION SPEC
114-160017

WEIGHT -

CUSTOMER DRAWING

NAME
12CCT DT-XT RECEPTACLE CONNECTOR



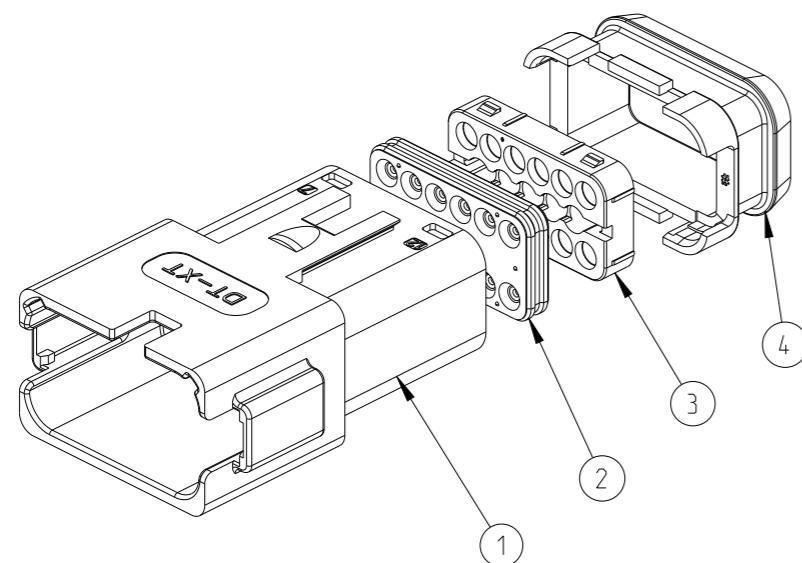
| | | | |
|------|-----------|------------|---------------|
| SIZE | CAGE CODE | DRAWING NO | RESTRICTED TO |
|------|-----------|------------|---------------|

| | | | |
|----|-------|-----------|---|
| A3 | 00779 | C=2600042 | - |
|----|-------|-----------|---|

| | | |
|-------|--------|-----|
| SCALE | SHEET | REV |
| 1:1 | 2 OF 3 | A2 |

REVISIONS

| P | LTR | DESCRIPTION | DATE | DWN | APVD |
|---|-----|-------------|------|-----|------|
| | | SEE SHEET 1 | | | |
| | | | | | |
| | | | | | |



| TE PN | ALIAS PN | REVISION OF EACH ASSY NO. | WEIGHT OF EACH ASSY(g) | KEYING | A | A | B | C | D | - | - | - | - | |
|-------|-----------|---------------------------|------------------------|--------------|--------------------|------------|------------|------------|------------|-----------------|-----------------|-----------------|------------|--------------------|
| 2- -0 | 934446647 | - | 21.48 | | - | - | - | - | 1 | - | 1 | 1 | 1 | |
| 1- -9 | 934446633 | - | 21.48 | | - | - | - | 1 | - | - | 1 | 1 | 1 | |
| 1- -8 | 934446621 | - | 21.48 | | - | - | 1 | - | - | - | 1 | 1 | 1 | |
| 1- -7 | 934446611 | - | 21.48 | | - | 1 | - | - | - | - | 1 | 1 | 1 | |
| 1- -6 | 934446612 | - | 21.48 | | 1 | - | - | - | - | - | 1 | 1 | 1 | |
| 1- -5 | 934446547 | - | 21.48 | | - | - | - | - | 1 | 1 | - | 1 | 1 | |
| 1- -4 | 934446533 | - | 21.48 | | - | - | - | 1 | - | 1 | - | 1 | 1 | |
| 1- -3 | 934446521 | - | 21.48 | | - | - | 1 | - | - | 1 | - | 1 | 1 | |
| 1- -2 | 934446511 | - | 21.48 | | - | 1 | - | - | - | 1 | - | 1 | 1 | |
| 1- -1 | 934446512 | - | 21.48 | | 1 | - | - | - | - | 1 | - | 1 | 1 | |
| 1- -0 | 934446247 | - | 18.53 | | - | - | - | - | 1 | - | 1 | 1 | - | |
| -9 | 934446233 | - | 18.53 | | - | - | - | 1 | - | - | 1 | 1 | - | |
| -8 | 934446221 | - | 18.53 | | - | - | 1 | - | - | - | 1 | 1 | - | |
| -7 | 934446211 | - | 18.53 | | - | 1 | - | - | - | - | 1 | 1 | - | |
| -6 | 934446212 | - | 18.53 | | 1 | - | - | - | - | - | 1 | 1 | - | |
| -5 | 934446147 | - | 18.53 | | - | - | - | - | 1 | 1 | - | 1 | - | |
| -4 | 934446133 | - | 18.53 | | - | - | - | 1 | - | 1 | - | 1 | - | |
| -3 | 934446121 | - | 18.53 | | - | - | 1 | - | - | 1 | - | 1 | - | |
| -2 | 934446111 | - | 18.53 | | - | 1 | - | - | - | 1 | - | 1 | - | |
| -1 | 934446112 | - | 18.53 | | 1 | - | - | - | - | 1 | - | 1 | - | |
| | | | | KEYING | A | A | B | C | D | - | - | - | - | |
| | | | | COLOR | GERY | BLACK | BLACK | GREEN | BROWN | BURNT ORANGE | LIGHT BLUE | BLACK | BLACK | |
| | | | | MATERIAL | NYLON GF30 | NYLON GF30 | NYLON GF30 | NYLON GF30 | NYLON GF30 | SILICONE RUBBER | SILICONE RUBBER | NYLON GF30 | NYLON GF30 | |
| | | | | DESCRIPT ION | RECEPTACLE HOUSING | | | | | | BACK SEAL SMALL | BACK SEAL LARGE | BACK COVER | HEATSHRINK HOUSING |
| | | | | ITEM NO | 1 | | | | | | 2 | 3 | 4 | |

THIS DRAWING IS A CONTROLLED DOCUMENT.

DWN J.Shang 20JUN2020
 CHK E.Jiang 20JUN2020
 APVD L.Yin 20JUN2020

PRODUCT SPEC 108-160026
 APPLICATION SPEC 114-160017
 WEIGHT -

TE TE Connectivity

NAME 12CCT DT-XT RECEPTACLE CONNECTOR

SIZE A3 CAGE CODE 00779 DRAWING NO C-2600042 RESTRICTED TO -

CUSTOMER DRAWING SCALE 1:1 SHEET 3 OF 3 REV A2

| DIMENSIONS: | TOLERANCES UNLESS OTHERWISE SPECIFIED: |
|-------------|--|
| mm | |
| | 0 PLC ± |
| | 1 PLC ± |
| | 2 PLC ± |
| | 3 PLC ± |
| | 4 PLC ± |
| | ANGLES ± |
| MATERIAL | FINISH |
| - | - |
| - | - |